

FOR CAR USE ONLY/NUR FÜR AUTOMOBIL GEBRAUCH/POUR APPLICATION AUTOMOBILE UNIQUEMENT/PARA USO
EN AUTOMÓVILES/SOLO PER L'UTILIZZO IN AUTOMOBILE/ENDAST FÖR BILBRUK/ALLEEN VOOR GEBRUIK IN DE
AUTO/ТОЛЬКО ДЛЯ ИСПОЛЬЗОВАНИЯ В АВТОМОБИЛЯХ/DO UŻYCIA TYLKO W SAMOCHODZIE



8-INCH ADVANCED NAVI STATION X803D-U

7-INCH ADVANCED NAVI STATION INE-W720D

- INSTALLATION MANUAL
- INSTALLATIONSANLEITUNG
- GUIDE D'INSTALLATION
- MANUAL DE INSTALACIÓN
- MANUALE DI INSTALLAZIONE
- INSTALLATIONSHANDBOK
- INSTALLATIEHANDLEIDING
- РУКОВОДСТВО ПО УСТАНОВКЕ
- INSTRUKCJA MONTAŻU

EN

DE

FR

ES

IT

SE

NL

RU

PL

ALPINE ELECTRONICS MARKETING, INC.
1-7, Yukigaya-Otsukamachi, Ota-ku,
Tokyo 145-0067, JAPAN
Phone: 03-5499-4531

ALPINE ELECTRONICS OF AMERICA, INC.
1500 Atlantic Blvd,
Auburn Hills, Michigan 48326 U.S.A.
Phone 1-800-ALPINE-1 (1-800-257-4631)

ALPINE ELECTRONICS OF AUSTRALIA PTY. LIMITED
161-165 Princes Highway, Hallam
Victoria 3803, Australia
Phone 03-8787-1200

ALPINE ELECTRONICS GmbH
Ohmstraße 4
85716 Unterschleißheim, Germany
Phone: 089-32 42 640

ALPINE ELECTRONICS OF U.K., LTD.
Alpine House
Fletchamstead Highway, Coventry CV4 9TW, U.K.
www.alpine.co.uk

ALPINE ELECTRONICS FRANCE S.A.R.L.
184 allée des Erables
CS 52016 – Villepinte
95 945 Roissy CDG cedex
FRANCE
Phone : + 33(0)1 48 63 89 89

ALPINE ITALIA S.p.A.
Viale Cristoforo Colombo, 8
20090 Trezzano sul Naviglio MI, Italy
Phone +39 02 484781

ALPINE ELECTRONICS DE ESPAÑA, S.A.
Portal de Gamarra 36, Pabellón, 32
01013 Vitoria (Alava)-APDO 133, Spain
Phone 945-283588

Contents

WARNING	2
CAUTION	2
Precautions	3
Accessory List	3
Installation	3
Caution concerning the installation location	3
Mounting the GPS Antenna inside the vehicle	3
Mounting the Microphone	4
Installation example using the Original Mounting Bracket	4
Connections	5
If an ACC power supply is not available	8
System Example	9



WARNING

This symbol means important instructions. Failure to heed them can result in serious injury or death.

DO NOT DISASSEMBLE OR ALTER.

Doing so may result in an accident, fire or electric shock.

KEEP SMALL OBJECTS SUCH AS SCREWS OUT OF THE REACH OF CHILDREN.

Swallowing them may result in serious injury. If swallowed, consult a physician immediately.

USE THE CORRECT AMPERE RATING WHEN REPLACING FUSES.

Failure to do so may result in fire or electric shock.

DO NOT BLOCK VENTS OR RADIATOR PANELS.

Doing so may cause heat to build up inside and may result in fire.

USE THIS PRODUCT FOR MOBILE 12V APPLICATIONS.

Use for other than its designed application may result in fire, electric shock or other injury.

MAKE THE CORRECT CONNECTIONS.

Failure to make the proper connections may result in fire or product damage.

USE ONLY IN CARS WITH A 12 VOLT NEGATIVE GROUND.

(Check with your dealer if you are not sure.) Failure to do so may result in fire, etc.

BEFORE WIRING, DISCONNECT THE CABLE FROM THE NEGATIVE BATTERY TERMINAL.

Failure to do so may result in electric shock or injury due to electrical shorts.

DO NOT ALLOW CABLES TO BECOME ENTANGLED IN SURROUNDING OBJECTS.

Arrange wiring and cables in compliance with the manual to prevent obstructions when driving. Cables or wiring that obstruct or hang up on places such as the steering wheel, shift lever, brake pedals, etc. can be extremely hazardous.

DO NOT SPLICE INTO ELECTRICAL CABLES.

Never cut away cable insulation to supply power to other equipment. Doing so will exceed the current carrying capacity of the wire and result in fire or electric shock.

DO NOT DAMAGE PIPE OR WIRING WHEN DRILLING HOLES.

When drilling holes in the chassis for installation, take precautions so as not to contact, damage or obstruct pipes, fuel lines, tanks or electrical wiring. Failure to take such precautions may result in fire.

DO NOT USE BOLTS OR NUTS IN THE BRAKE OR STEERING SYSTEMS TO MAKE GROUND CONNECTIONS.

Bolts or nuts used for the brake or steering systems (or any other safety-related system), or tanks should NEVER be used for installations or ground connections. Using such parts could disable control of the vehicle and cause fire etc.

DO NOT INSTALL IN LOCATIONS WHICH MIGHT HINDER VEHICLE OPERATION, SUCH AS THE STEERING WHEEL OR SHIFT LEVER.

Doing so may obstruct forward vision or hamper movement etc. and results in serious accident.

DO NOT INSTALL THE MONITOR NEAR THE PASSENGER SEAT AIR BAG.

If the unit is not installed correctly the air bag may not function correctly and when triggered the air bag may cause the monitor to spring upwards causing an accident and injuries.



CAUTION

This symbol means important instructions. Failure to heed them can result in injury or material property damage.

HAVE THE WIRING AND INSTALLATION DONE BY EXPERTS.

The wiring and installation of this unit requires special technical skill and experience. To ensure safety, always contact the dealer where you purchased this product to have the work done.

USE SPECIFIED ACCESSORY PARTS AND INSTALL THEM SECURELY.

Be sure to use only the specified accessory parts. Use of other than designated parts may damage this unit internally or may not securely install the unit in place. This may cause parts to become loose resulting in hazards or product failure.

ARRANGE THE WIRING SO IT IS NOT CRIMPED OR PINCHED BY A SHARP METAL EDGE.

Route the cables and wiring away from moving parts (like the seat rails) or sharp or pointed edges. This will prevent crimping and damage to the wiring. If wiring passes through a hole in metal, use a rubber grommet to prevent the wire's insulation from being cut by the metal edge of the hole.

DO NOT INSTALL IN LOCATIONS WITH HIGH MOISTURE OR DUST.

Avoid installing the unit in locations with high incidence of moisture or dust. Moisture or dust that penetrates into this unit may result in product failure.

Precautions

- Be sure to disconnect the cable from the (-) battery post before installing your unit. This will reduce any chance of damage to the unit in case of a short-circuit.
- Be sure to connect the colour coded leads according to the diagram. Incorrect connections may cause the unit to malfunction or damage to the vehicle's electrical system.
- When making connections to the vehicle's electrical system, be aware of the factory installed components (e.g. on-board computer). Do not tap into these leads to provide power for this unit. When connecting the unit to the fuse box, make sure the fuse for the intended circuit of the unit has the appropriate amperage. When in doubt, consult your Alpine dealer.
- The unit uses female RCA-type jacks for connection to other units (e.g. amplifier) having RCA connectors. You may need an adaptor to connect other units. If so, please contact your authorized Alpine dealer for assistance.
- Be sure to connect the speaker (-) leads to the speaker (-) terminal. Never connect left and right channel speaker cables to each other or to the vehicle body.

Accessory List

• X803D-U or INE-W720D	1
• Power cable	1
• GPS Antenna	1
• Antenna mounting plate	1
• Cable clamp for antenna	1set
• USB extension cable	1
• PRE OUT cable	1
• Microphone	1
• CAN I/F cable	1
• W.REMOTE cable	1
• Face plate (INE-W720D only)	1
• HDMI Fixation Bracket	1
• Flush head screw (M5×8)	4
• Screw (M5×8)	4
• Owner's Manual	1set

Installation

X803D-U user

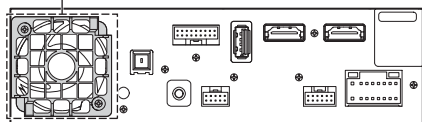
To install the X803D-U, refer to the manual in the separately purchased installation kit for each car type.

Caution

Do not block the unit's fan, thus preventing air circulation. If blocked, heat will accumulate inside the unit and may cause a fire.

<example>

Air ventilation hole

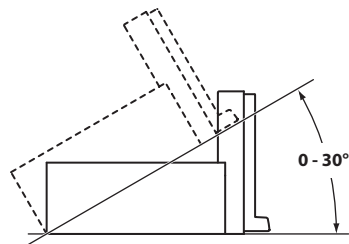


Rear of the Unit

Caution concerning the installation location

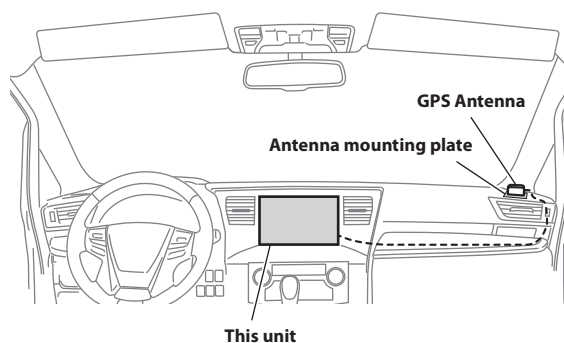
Angle of installation

Install at an angle between horizontal and 30°. Note that installing at an angle outside of this range will result in a loss of performance and possibly damage.



Mounting the GPS Antenna inside the vehicle

- 1 Clean the mounting location.
- 2 Put on the GPS Antenna mounting plate.
- 3 Mount the GPS Antenna.



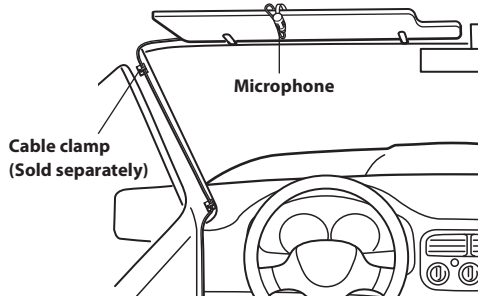
- Do not mount the GPS Antenna inside the centre console.
 - Mount the GPS Antenna on a flat plane of the dash board or rear tray.
 - Make sure the GPS Antenna is not covered (obstructed) by any metallic surface or object.
- If the GPS Antenna is mounted near the unit, the reception becomes poor, and the location of your vehicle may not be displayed correctly.
 - Mount the GPS Antenna far away enough from the unit.
 - Bundle the GPS Antenna cable away from the rear of the unit.
- Some thermal reflection type or thermal absorption type glass may interrupt high frequency waves. If reception is poor with the antenna installed inside the car, try to mount the antenna outside the car.

Mounting the Microphone

For safe use, make sure of the following:

- Location is stable and firm.
- Driver's view and operations are not obstructed.
- Microphone is located where the driver's voice can be easily picked up (for example, on the sun visor).

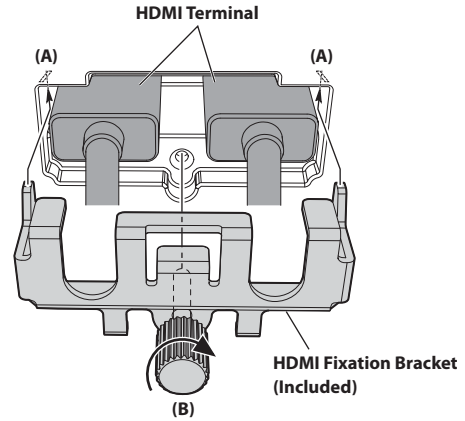
When you speak into the microphone, you should not have to change your driving posture. This may cause a distraction, taking your attention away from safely driving your vehicle. Carefully consider direction and distance while mounting the microphone. Confirm that the driver's voice can be easily picked up at the selected location.



Note on using HDMI Connection Cables

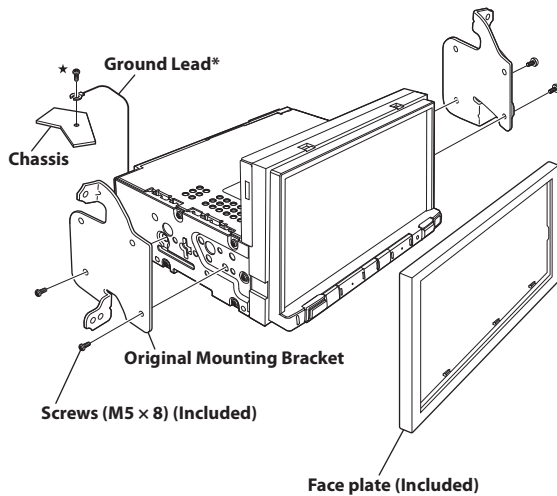
When using HDMI connection cables, secure the cables to the HDMI Terminals with the supplied HDMI Fixation Bracket.

- 1 Slide the HDMI Fixation Bracket into the grooves (A).
- 2 Secure it with the screw (B).



Installation example using the Original Mounting Bracket

- 1 Mount the original mounting bracket to the unit using the supplied screws.

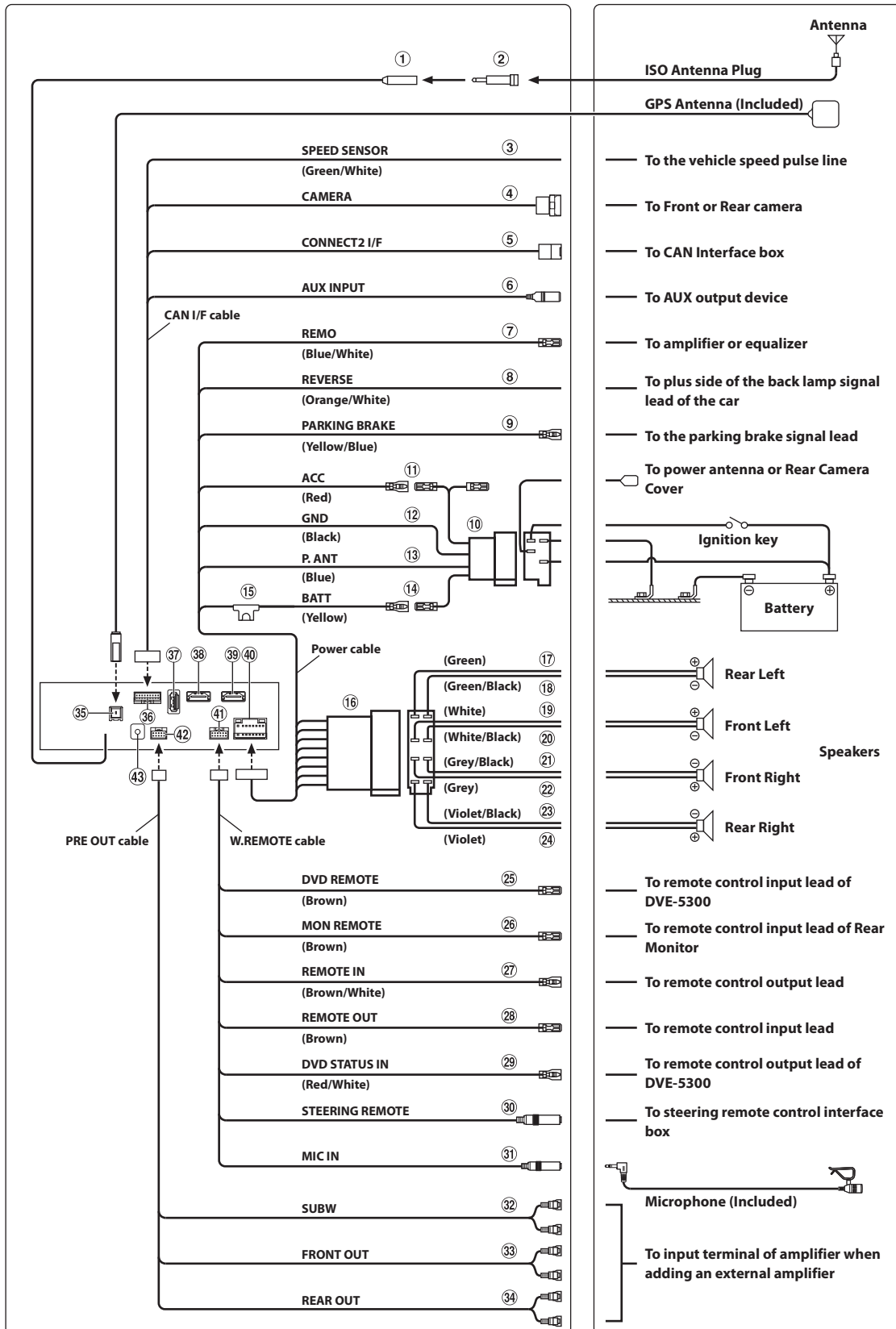


* To securely connect the ground lead, use an already installed screw on a metal part of the vehicle (marked (★)) or a clean, bare metal spot on the vehicle's chassis.

- 2 Connect all other leads of the unit according to details described in the "Connections" (page 5).
- 3 Mounting the unit in a car.

- Fix the cables carefully. Do not damage them by tucking them into movable parts, such as a seat rail, or by locating them against sharp or pointed edges.

Connections

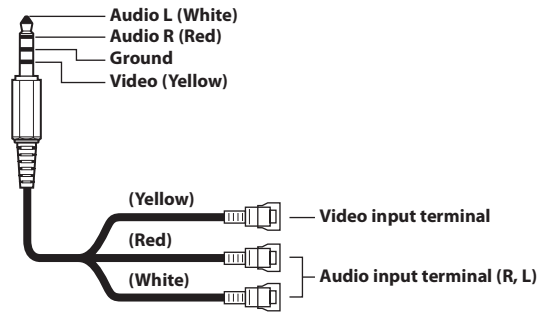


- ① **Radio Antenna Receptacle**
- ② **ISO/JASO Antenna Adapter (sold separately)**
ISO/JASO Antenna Adapter may be required, depending on the vehicle.
- ③ **Speed Sensor Lead (Green/White)**
Improper connection of the speed pulse line may cause important safety features of the vehicle to fail (such as the brakes or air bags). Such failures may result in an accident and loss of life. We strongly recommend that the installation be performed by a trained, authorized Alpine dealer.
- ④ **Direct CAMERA Input Connector**
Use when the optional direct camera is connected.
- ⑤ **CAN Interface Connector**
To CAN Interface box
- ⑥ **AUX Input Connector**
Input lead for AUX video/audio signal.
 - A separately sold AV/RCA interface cable (4-pole mini AV plug to 3-RCA) is required. For details on using an AV/RCA interface cable (4-pole mini AV plug to 3-RCA), see "Usable AV/RCA Interface Cable (4-pole mini AV plug to 3-RCA)" (page 7).
- ⑦ **Remote Turn-On Lead (Blue/White)**
Connect this lead to the remote turn-on lead of your amplifier or signal processor.
- ⑧ **Reverse Lead (Orange/White)**
Connect to the plus side of the car's reverse lights. These lights illuminate when the transmission is shifted into reverse (R). With this lead properly wired, the video picture automatically switches to the rear camera whenever the car is put into reverse (R).
- ⑨ **Parking Brake Lead (Yellow/Blue)**
Connect this lead to the power supply side of parking brake switch to transmit the parking brake status signals to the unit.
- ⑩ **ISO Power Supply Connector**
- ⑪ **Switched Power Lead (Ignition) (Red)**
Connect this lead to an open terminal on the vehicle's fuse box or another unused power source that provides (+) 12V only when the ignition is turned on or in the accessory position.
- ⑫ **Ground Lead (Black)**
Connect this lead to a good chassis ground on the vehicle. Make sure the connection is made to bare metal and is securely fastened using the sheet metal screw provided.
- ⑬ **Power Antenna Lead (Blue)**
Connect this lead to the +B terminal of your power antenna, if applicable.
 - When your vehicle's Rear view camera is equipped with an electric protective cover, change the setting of Rear Camera Cover to On and connect this lead to the +B terminal of your Rear view camera cover.
 - This lead should be used only for controlling the vehicle's power antenna or Rear view camera cover. Do not use this lead to turn on an amplifier or a signal processor, etc.
- ⑭ **Battery Lead (Yellow)**
Connect this lead to the positive (+) post of the vehicle's battery.
- ⑮ **Fuse Holder (15A)**
- ⑯ **ISO Connector (Speaker Output)**
- ⑰ **Left Rear (+) Speaker Output Lead (Green)**
- ⑱ **Left Rear (-) Speaker Output Lead (Green/Black)**
- ⑲ **Left Front (+) Speaker Output Lead (White)**
- ⑳ **Left Front (-) Speaker Output Lead (White/Black)**
- ㉑ **Right Front (-) Speaker Output Lead (Grey/Black)**
- ㉒ **Right Front (+) Speaker Output Lead (Grey)**
- ㉓ **Right Rear (-) Speaker Output Lead (Violet/Black)**
- ㉔ **Right Rear (+) Speaker Output Lead (Violet)**
- ㉕ **Remote Control Output Lead (Brown) (For DVD Player DVE-5300)**
Connect this lead to the remote control input lead. This lead outputs the controlling signals from the remote control.
- ㉖ **Remote Control Output Lead (Brown) (For Rear Monitor)**
Connect this lead to the remote control input lead. This lead outputs the controlling signals from the remote control.
- ㉗ **Remote Control Input Lead (Brown/White)**
Connect the external Alpine product to the remote control output lead.

- ②8 **Remote Control Output Lead (Brown)**
Connect this lead to the remote control input lead. This lead outputs the controlling signals from the remote control.
- ②9 **DVD Control Input Lead (Red/White) (For DVD Player DVE-5300)**
Connect the DVD Player DVE-5300 to the remote control output lead.
- ③0 **Steering Remote Control Interface Connector**
To steering remote control interface box.
For details about connections, consult your nearest Alpine dealer.
- ③1 **MIC Input Connector**
To microphone (Included)
 - When using the included microphone, set *Microphone Select* to "Add-on." For details, refer to "Setting the Microphone Select" in the OWNER'S MANUAL (CD-ROM).
- ③2 **Subwoofer RCA Connectors**
RED is right and WHITE is left.
- ③3 **Front Output RCA Connectors**
Can be used as Front Output RCA Connectors. RED is right and WHITE is left.
- ③4 **Rear Output RCA Connectors**
Can be used as Rear Output RCA Connectors. RED is right and WHITE is left.
- ③5 **GPS Antenna Receptacle**
Connect to GPS antenna (Included).
- ③6 **CAN I/F Connector**
- ③7 **USB Connector**
To USB flash drive, iPod/iPhone or Android smartphone.
- ③8 **HDMI Input Connector**
- ③9 **HDMI Output Connector**
- ④0 **Power Supply Connector**
- ④1 **W.REMOTE Connector**
- ④2 **PRE OUT Connector**
- ④3 **DAB Antenna Connector**
To DAB Antenna (sold separately).

Usable AV/RCA Interface Cable (4-pole mini AV plug to 3-RCA)

Wiring convention of this system is as follows;

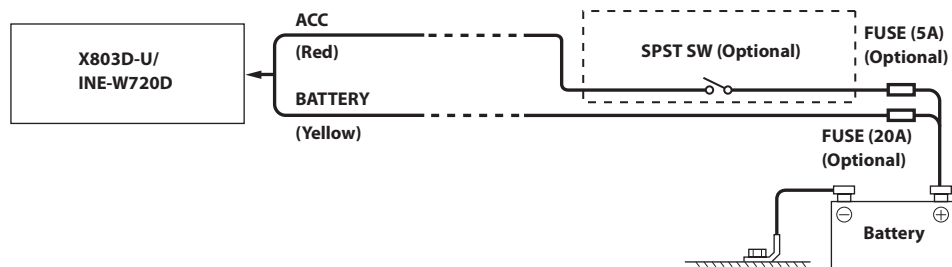


- Configuration commercially available 4-pole mini AV plugs is not standardised.



If an ACC power supply is not available

Connection Diagram of SPST Switch (sold separately)



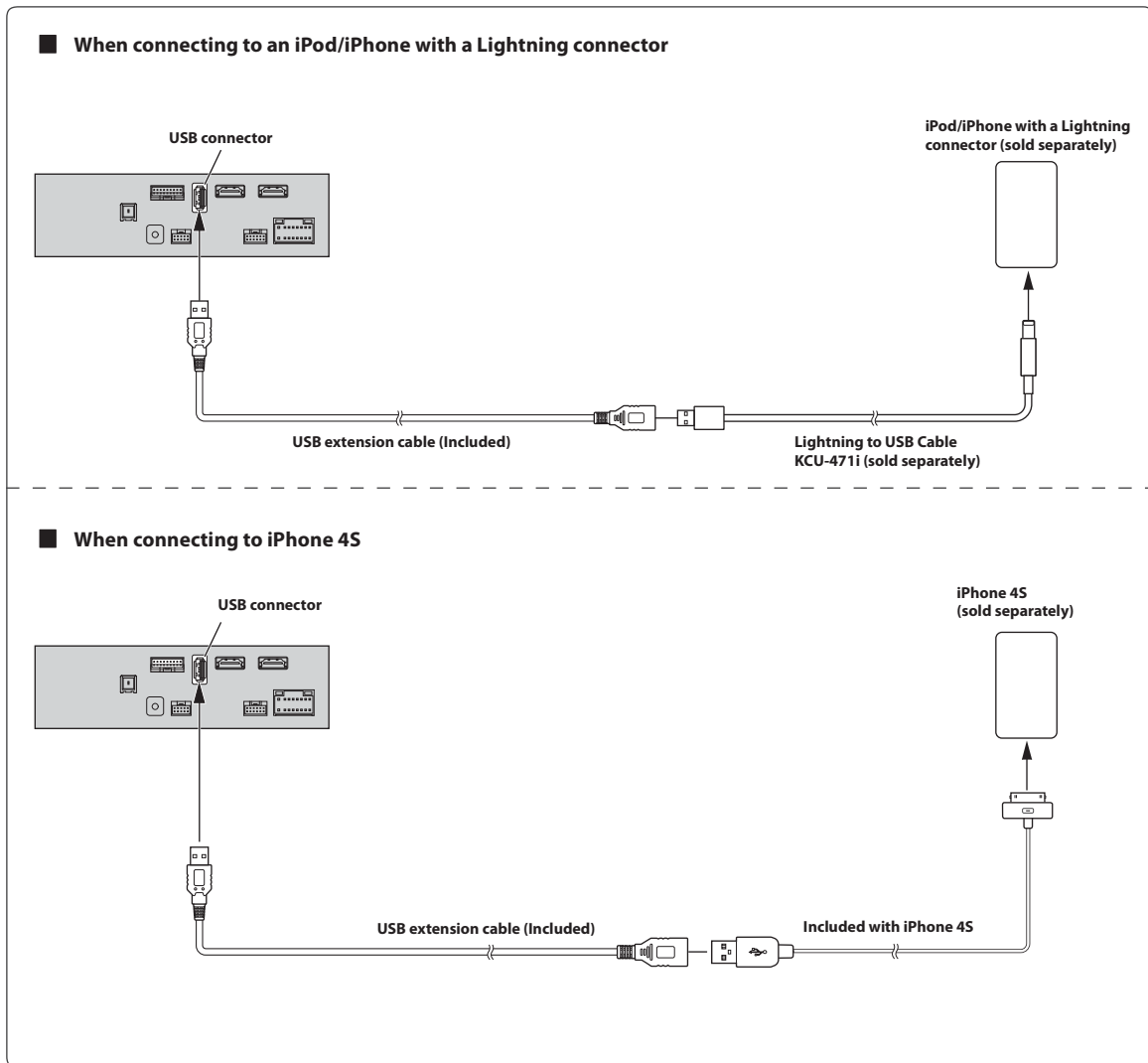
- If your vehicle has no ACC power supply, add an SPST (single-pole, single-throw) switch (sold separately) and fuse (sold separately).
- The diagram and the fuse amperage shown above are in the case when the unit is used individually.
- If the switched power (ignition) lead of the unit is connected directly to the positive (+) post of the vehicle's battery, the unit draws some current (several hundred milliamperes) even when its switch is placed in the OFF position, and the battery may be discharged.

To prevent external noise from entering the audio system.

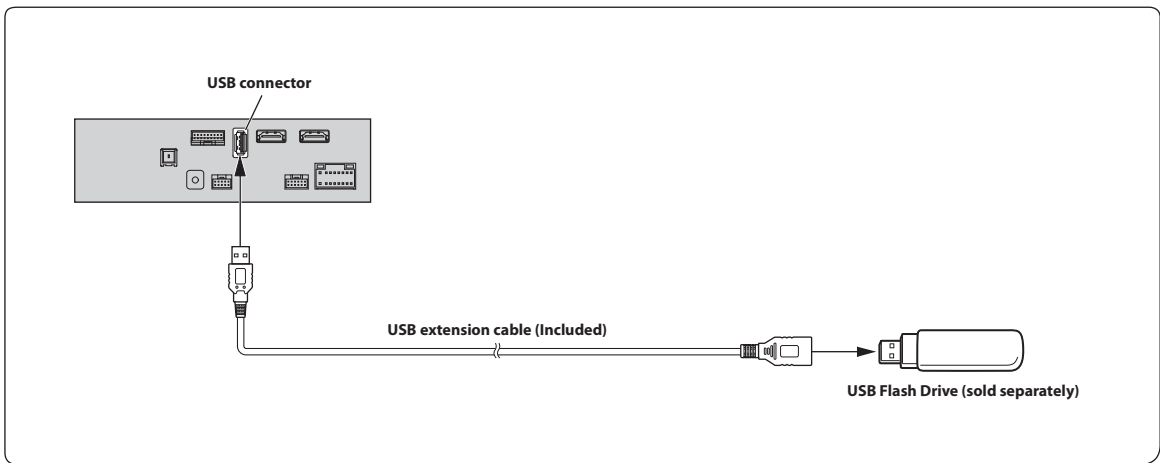
- Locate the unit and route the leads at least 10 cm away from the car harness.
- Keep the battery power leads as far away from other leads as possible.
- Connect the ground lead securely to a bare metal spot (remove any paint, dirt or grease if necessary) of the car chassis.
- If you add an optional noise suppressor, connect it as far away from the unit as possible. Your Alpine dealer carries various noise suppressors, contact them for further information.
- Your Alpine dealer knows best about noise prevention measures so consult your dealer for further information.

System Example

Connection of an iPod/iPhone

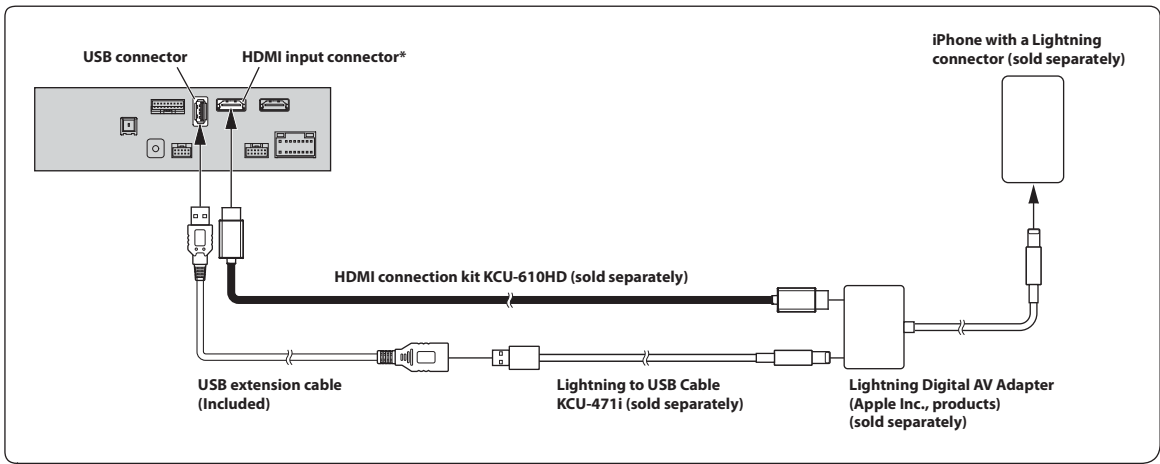


Connection of a Flash Drive



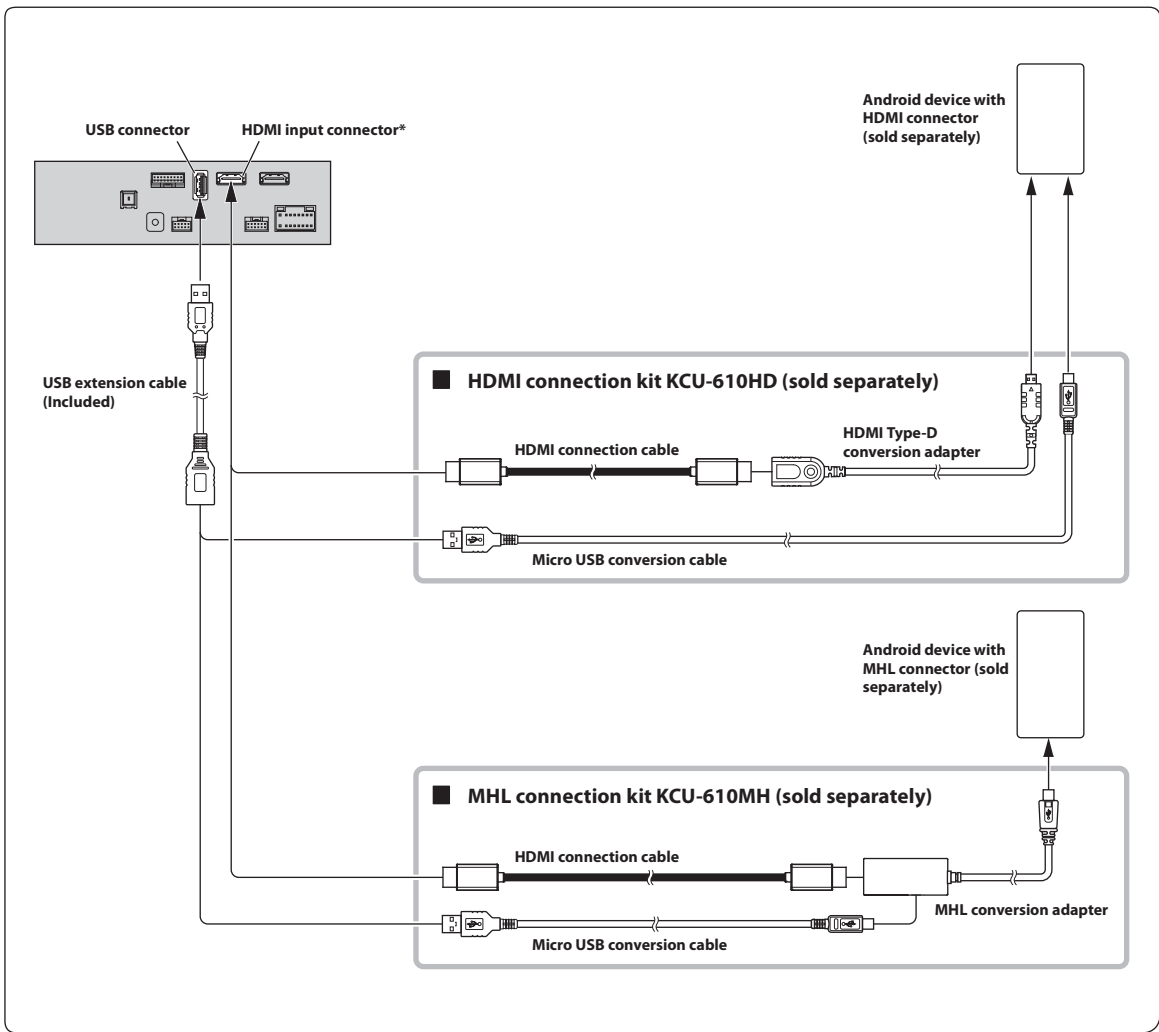
- Do not leave a flash drive in a vehicle for a long time. Heat and humidity may damage the flash drive.

Connection of an HDMI Device (iPhone with a Lightning connector)



- * When connecting an HDMI connection cable, be sure to secure it using the supplied HDMI Fixation Bracket. For details on how to secure it, see "Note on using HDMI Connection Cables" (page 4).
- Set the HDMI Setup to "HDMI." For details, refer to "HDMI Setup" in the OWNER'S MANUAL (CD-ROM).

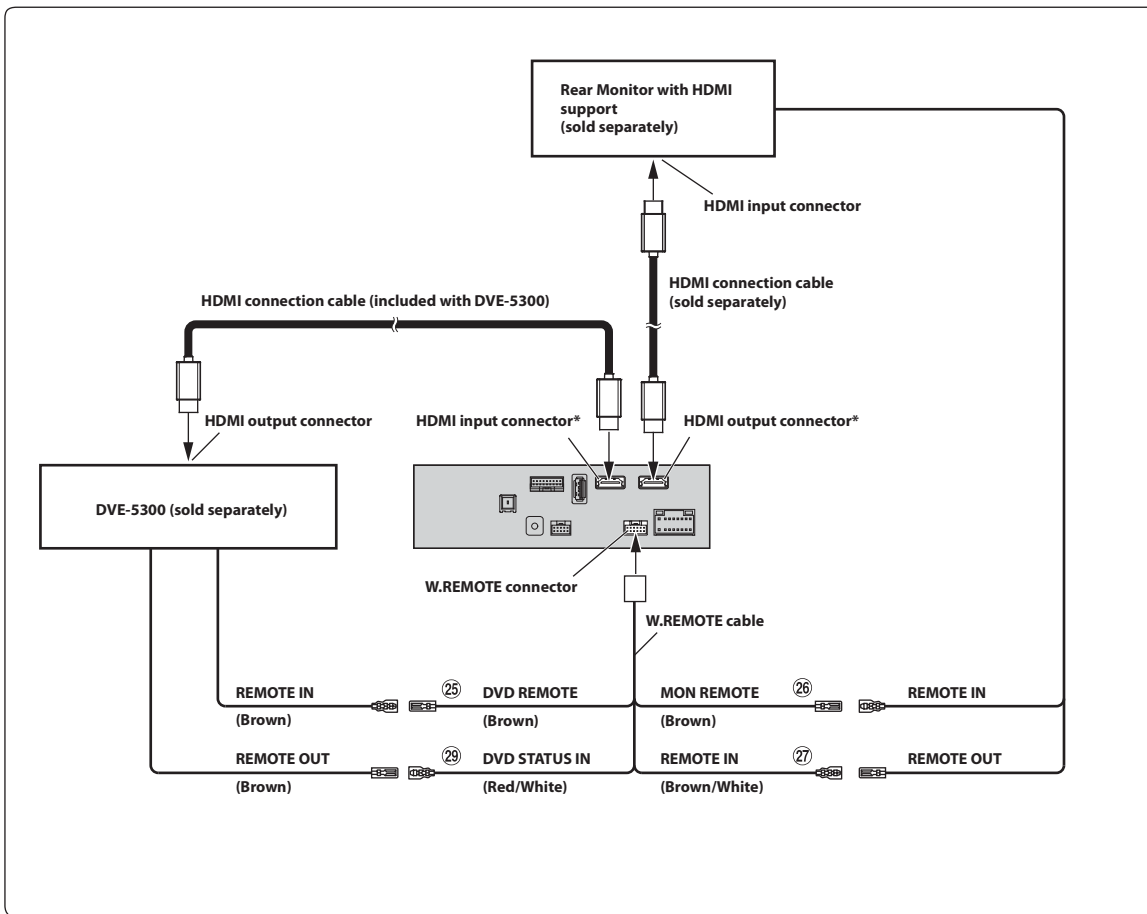
Connection of an HDMI Device (Android device)



- A connection kit or adapter kit suitable for the type of terminal on the connecting device is required.
- Set the HDMI Setup to "HDMI." For details, refer to "HDMI Setup" in the OWNER'S MANUAL (CD-ROM).

* When connecting an HDMI connection cable, be sure to secure it using the supplied HDMI Fixation Bracket. For details on how to secure it, see "Note on using HDMI Connection Cables" (page 4).

Connection of a DVE-5300 and a Rear Monitor with HDMI support



②⑤ Remote Control Output Lead (Brown) (For DVD Plyer DVE-5300)

②⑦ Remote Control Input Lead (Brown/White) (For Rear Monitor)

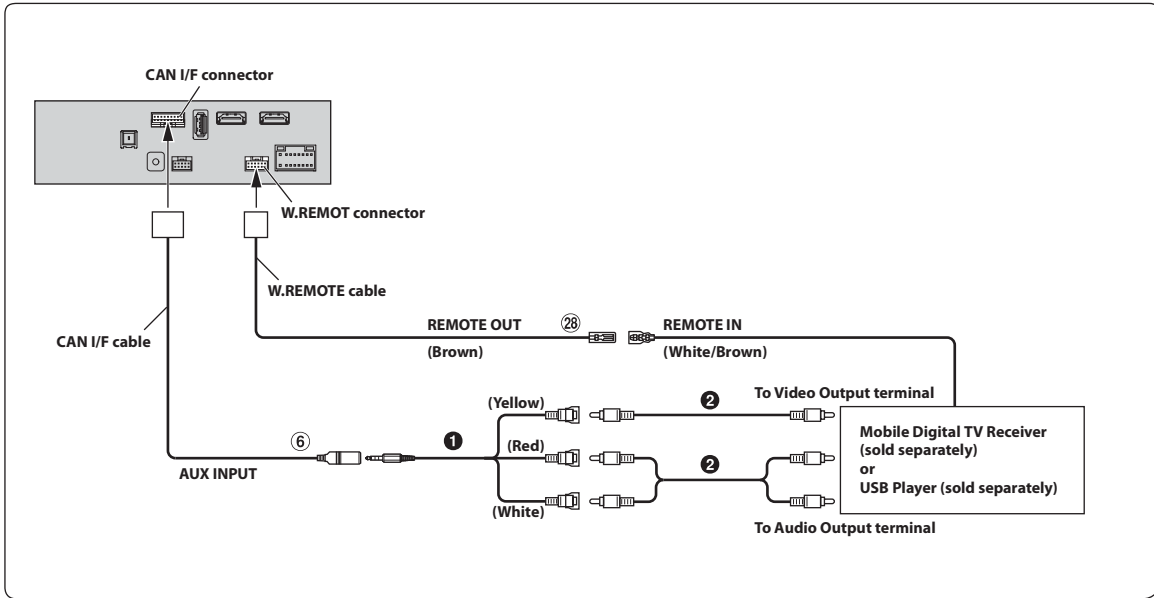
②⑥ Remote Control Output Lead (Brown) (For Rear Monitor)

②⑨ DVD Control Input Lead (Red/White) (For DVD Plyer DVE-5300)

* When connecting an HDMI connection cable, be sure to secure it using the supplied HDMI Fixation Bracket. For details on how to secure it, see "Note on using HDMI Connection Cables" (page 4).

• Set the HDMI Setup to "DVD." For details, refer to "HDMI Setup" in the OWNER'S MANUAL (CD-ROM).

Connection of a Mobile Digital TV Receiver or USB Player



⑥ AUX Input Connector

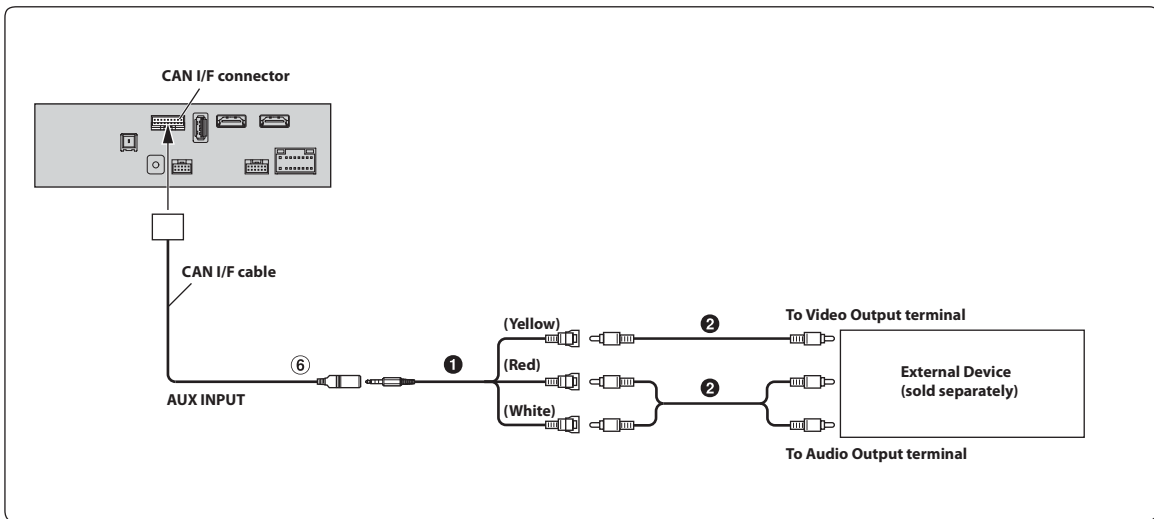
⑳ Remote Control Output Lead (Brown)

① AV/RCA Interface Cable (4-pole mini AV plug to 3-RCA) (sold separately)

② RCA Extension Cable (sold separately)

- For details on using an AV/RCA interface cable (4-pole mini AV plug to 3-RCA), see "Usable AV/RCA Interface Cable (4-pole mini AV plug to 3-RCA)" (page 7).
- Set the AUX Name to "DVB-T" or "USB Player." For details, refer to "Setting the Auxiliary (AUX) Name" in the OWNER'S MANUAL (CD-ROM).

Connection of an External Device



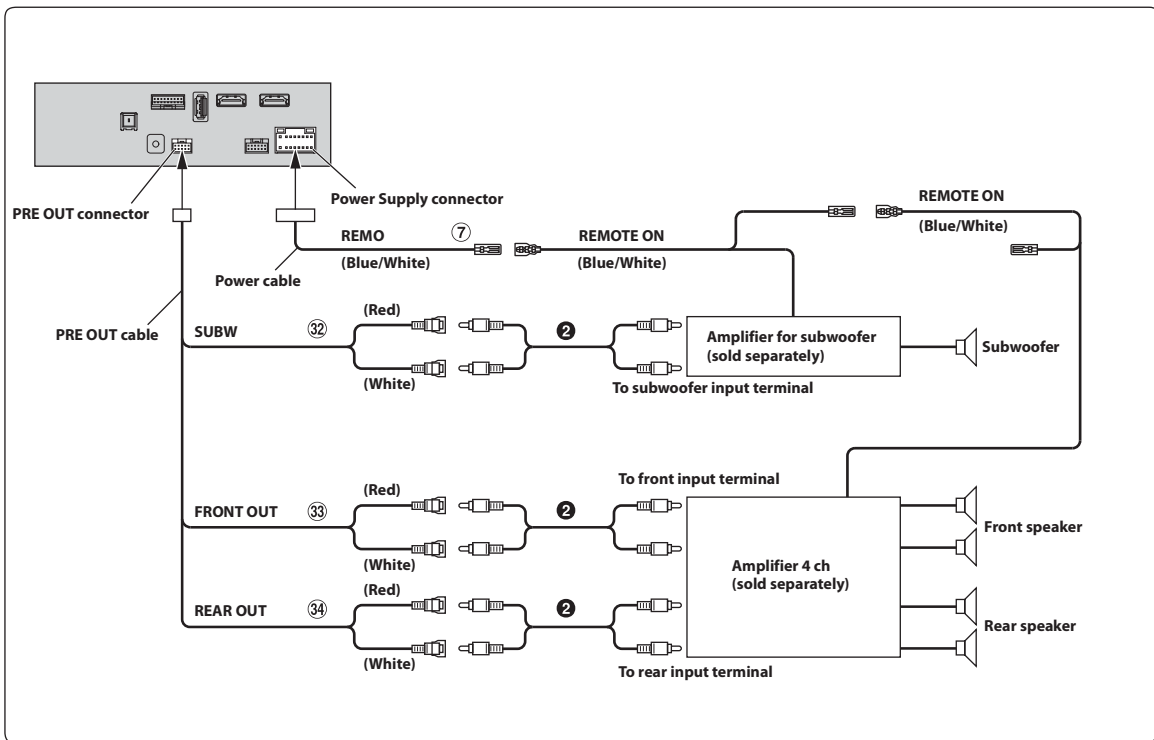
⑥ AUX Input Connector

① AV/RCA Interface Cable (4-pole mini AV plug to 3-RCA) (sold separately)

② RCA Extension Cable (sold separately)

- You can change the name of an external device. For details, refer to "Setting the Auxiliary (AUX) Name" in the OWNER'S MANUAL (CD-ROM).
- For details on using an AV/RCA interface cable (4-pole mini AV plug to 3-RCA), see "Usable AV/RCA Interface Cable (4-pole mini AV plug to 3-RCA)" (page 7).

Connection of an External Amplifier



⑦ Remote Turn-On Lead (Blue/White)

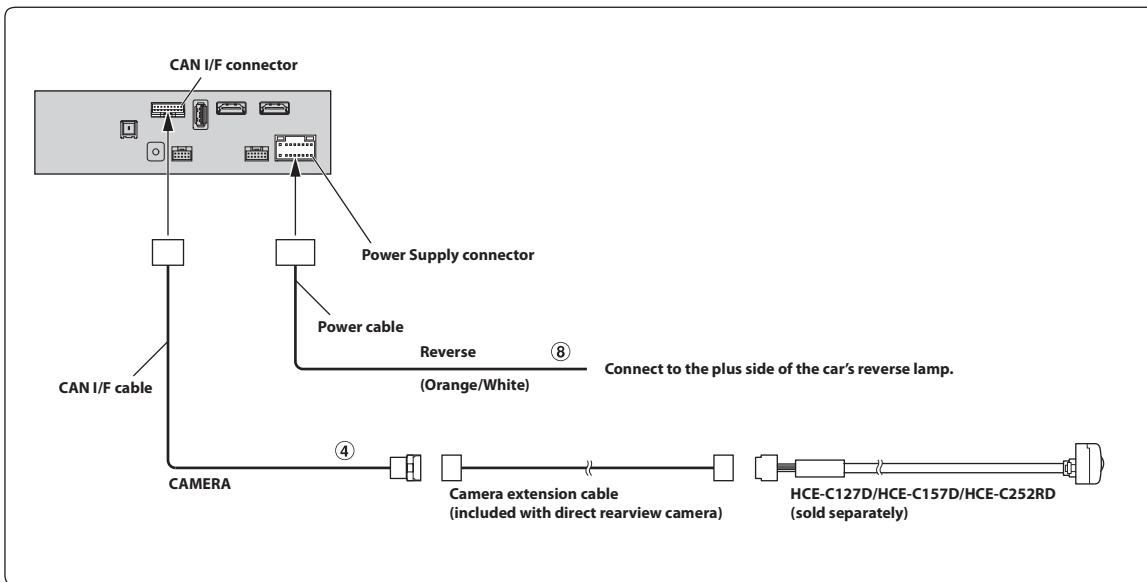
② RCA Extension Cable (sold separately)

③② Subwoofer RCA Connectors

③③ Front Output RCA Connectors

③④ Rear Output RCA Connectors

Connection of a Rearview camera

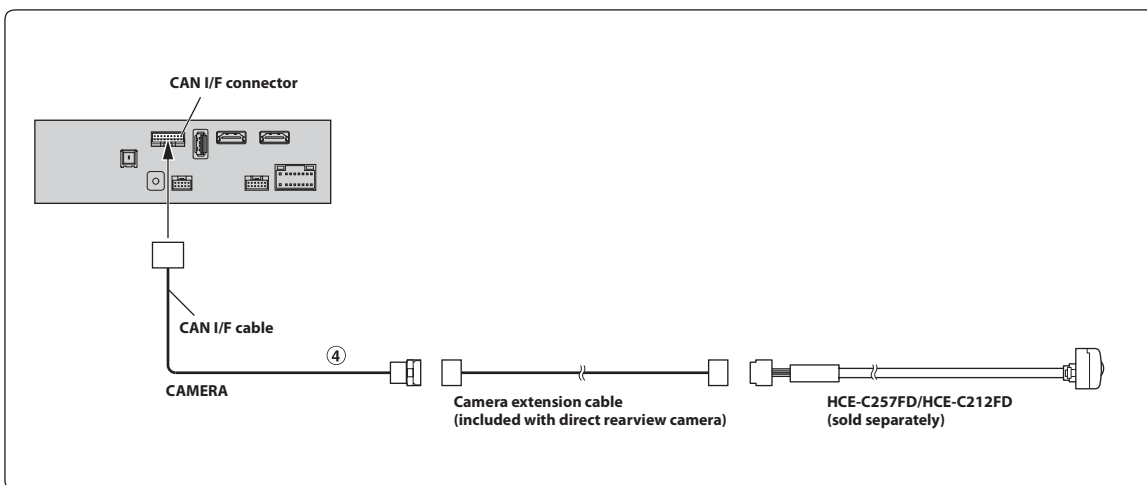


④ Direct CAMERA Input Connector

⑧ Reverse Lead (Orange/White)

- Set the Camera Select to "Rear." For details, refer to "Setting the Camera Input" in the OWNER'S MANUAL (CD-ROM).

Connection of a Frontview camera



④ Direct CAMERA Input Connector

- Set the Camera Select to "Front." For details, refer to "Setting the Camera Input" in the OWNER'S MANUAL (CD-ROM).

Inhalt

WARNUNG	2
VORSICHT	2
Vorsichtsmaßnahmen	3
Lieferumfang	3
Einbau	3
Vorsichtshinweise zum Installationsort	3
Montieren der GPS-Antenne im Fahrzeug	3
Einbau des Mikrofons	4
Installationsbeispiel mit der Originalmontagehalterung	4
Anschlüsse	5
Bei Fahrzeugen ohne ACC- Spannungsversorgung	8
Systembeispiel	9



WARNUNG

Dieses Symbol weist auf wichtige Anweisungen hin. Bei Nichtbeachtung besteht die Gefahr von schweren Verletzungen oder Todesfällen.

GERÄT NICHT ÖFFNEN.

Andernfalls besteht Unfallgefahr, Feuergefahr oder die Gefahr eines elektrischen Schlages.

KLEINE GEGENSTÄNDE WIE SCHRAUBEN VON KINDERN FERNHALTEN.

Werden solche Gegenstände verschluckt, besteht die Gefahr schwerwiegender Verletzungen. Suchen Sie unverzüglich einen Arzt auf, wenn ein Kind einen solchen Gegenstand verschluckt.

SICHERUNGEN IMMER DURCH SOLCHE MIT DER RICHTIGEN AMPEREZAHL ERSETZEN.

Andernfalls besteht Feuergefahr oder die Gefahr eines elektrischen Schlages.

LÜFTUNGSÖFFNUNGEN UND KÜHLKÖRPER NICHT ABDECKEN.

Andernfalls kann es zu einem Wärmestau im Gerät kommen, und es besteht Feuergefahr.

DAS GERÄT NUR AN EIN 12-V-BORDNETZ IN EINEM FAHRZEUG ANSCHLIESSEN.

Andernfalls besteht Feuergefahr, die Gefahr eines elektrischen Schlages oder anderer Verletzungen.

AUF KORREKTE ANSCHLÜSSE ACHTEN.

Bei fehlerhaften Anschlüssen besteht Feuergefahr, und es kann zu Schäden am Gerät kommen.

NUR IN FAHRZEUGEN MIT 12-VOLT-BORDNETZ UND MINUS AN MASSE VERWENDEN.

Fragen Sie im Zweifelsfall Ihren Händler. Andernfalls besteht Feuergefahr usw.

VOR DEM ANSCHLUSS DAS KABEL VOM MINUSPOL DER BATTERIE ABKLEMMEN.

Andernfalls besteht die Gefahr eines elektrischen Schlages oder Verletzungsgefahr durch einen Kurzschluss.

DAFÜR SORGEN, DASS SICH DIE KABEL NICHT IN GEGENSTÄNDEN IN DER NÄHE VERFANGEN.

Verlegen Sie die Kabel wie im Handbuch beschrieben, damit sie beim Fahren nicht hinderlich sind. Kabel, die sich im Lenkrad, im Schalthebel, im Bremspedal usw. verfangen, können zu äußerst gefährlichen Situationen führen.

ELEKTRISCHE KABEL NICHT SPLEISSEN.

Kabel dürfen nicht abisoliert werden, um andere Geräte mit Strom zu versorgen. Andernfalls wird die Strombelastbarkeit des Kabels überschritten, und es besteht Feuergefahr oder die Gefahr eines elektrischen Schlages.

BEIM BOHREN VON LÖCHERN LEITUNGEN UND KABEL NICHT BESCHÄDIGEN.

Wenn Sie beim Einbauen Löcher in das Fahrzeugchassis bohren, achten Sie unbedingt darauf, die Kraftstoffleitungen und andere Leitungen, den Benzintank und elektrische Kabel nicht zu berühren, zu beschädigen oder zu blockieren. Andernfalls besteht Feuergefahr.

BOLZEN UND MUTTERN DER BREMSANLAGE NICHT ALS MASSEPUNKTE VERWENDEN.

Verwenden Sie für Einbau oder Masseanschluß NIEMALS Bolzen oder Muttern der Brems- bzw. Lenkanlage oder eines anderen sicherheitsrelevanten Systems oder des Benzintanks. Andernfalls besteht die Gefahr, dass Sie die Kontrolle über das Fahrzeug verlieren oder ein Feuer ausbricht.

DAS GERÄT NICHT AN EINER STELLE EINBAUEN, AN DER ES BEIM FAHREN HINDERLICH SEIN KÖNNTE, WEIL ES Z. B. DAS LENKRAD ODER DEN SCHALTHEBEL BLOCKIERT.

Andernfalls ist möglicherweise keine freie Sicht nach vorne gegeben, oder die Bewegungen des Fahrers sind so eingeschränkt, dass Unfallgefahr besteht.

DIE DISPLAYEINHEIT NICHT IN DER NÄHE DES BEIFAHREER-AIRBAGS EINBAUEN.

Bei unsachgemäßem Einbau kann der Airbag versagen oder beim Aufblähen die Displayeinheit in die Fahrgastzelle schleudern und Verletzungen verursachen.



VORSICHT

Dieses Symbol weist auf wichtige Anweisungen hin. Bei Nichtbeachtung besteht die Gefahr von Verletzungen bzw. Sachschäden.

VERKABELUNG UND EINBAU VON FACHPERSONAL AUSFÜHREN LASSEN.

Die Verkabelung und der Einbau dieses Geräts erfordern technisches Geschick und Erfahrung. Zu Ihrer eigenen Sicherheit sollten Sie Verkabelung und Einbau dem Händler überlassen, bei dem Sie das Gerät erworben haben.

NUR DAS VORGESCHRIEBENE ZUBEHÖR VERWENDEN UND DIESES SICHER EINBAUEN.

Verwenden Sie ausschließlich das vorgeschriebene Zubehör. Andernfalls wird das Gerät möglicherweise beschädigt, oder es lässt sich nicht sicher einbauen. Wenn sich Teile lösen, stellen diese eine Gefahrenquelle dar, und es kann zu Betriebsstörungen kommen.

DIE KABEL SO VERLEGEN, DASS SIE NICHT GEKNICKT ODER DURCH SCHARFE KANTEN GEQUETSCHT WERDEN.

Verlegen Sie die Kabel so, dass sie sich nicht in beweglichen Teilen wie den Sitzschienen verfangen oder an scharfen Kanten oder spitzen Ecken beschädigt werden können. So verhindern Sie eine Beschädigung der Kabel. Wenn Sie ein Kabel durch eine Bohrung in einer Metallplatte führen, schützen Sie die Kabelisolierung mit einer Gummittle vor Beschädigung durch die Metallkanten der Bohrung.

DAS GERÄT NICHT AN STELLEN EINBAUEN, AN DENEN ES HOHER FEUCHTIGKEIT ODER STAUB AUSGESETZT IST.

Bauen Sie das Gerät so ein, dass es vor hoher Feuchtigkeit und Staub geschützt ist. Wenn Feuchtigkeit oder Staub in das Gerät gelangen, kann es zu Betriebsstörungen kommen.

Vorsichtsmaßnahmen

- Trennen Sie unbedingt das Kabel vom (-) Batteriepol, bevor Sie das Gerät installieren. Dadurch vermeiden Sie die Gefahr einer Beschädigung des Geräts, falls es zu einem Kurzschluss kommt.
- Auf korrekten Anschluss der farbcodierten Kabel achten! Anschlussfehler können Betriebsstörungen des Geräts bzw. Fahrzeugs zur Folge haben.
- Beim Anschließen an das Bordnetz des Fahrzeugs unbedingt die werkseitig eingebauten Komponenten (z. B. Bordrechner) beachten. Keinesfalls die Stromversorgung für das Gerät an diesen Komponenten abgreifen. Beim Anschluss des Geräts im Sicherungskasten darauf achten, dass die Sicherung des gewählten Stromkreises die für das Gerät vorgeschriebene Amperezahl aufweist. Wenden Sie sich im Zweifelsfall an Ihren Alpine-Händler.
- Das Gerät wird über RCA-Buchsen an andere Komponenten (z. B. Verstärker) angeschlossen. Zum Anschließen eines anderen Geräts werden unter Umständen Steckeradapter benötigt. Lassen Sie sich diesbezüglich von Ihrem autorisierten Alpine-Händler beraten.
- Achten Sie darauf, die Lautsprecherkabel (-) an den Lautsprecheranschluss (-) anzuschließen. Verbinden Sie auf keinen Fall Lautsprecherkabel für den linken und den rechten Kanal miteinander oder mit der Fahrzeugkarosserie.

Lieferumfang

• X803D-U oder INE-W720D	1
• Stromversorgungskabel	1
• GPS-Antenne	1
• Antennenmontageplatte	1
• Kabelklemme für Antenne	1 Satz
• USB-Anschlusskabel	1
• PRE OUT-Kabel	1
• Mikrofon	1
• CAN I/F-Kabel	1
• W.REMOTE-Kabel	1
• Frontplatte (nur INE-W720D)	1
• HDMI-Halterung	1
• Senkschraube (M5x8)	4
• Schraube (M5x8)	4
• Bedienungsanleitung	1 Satz

Einbau

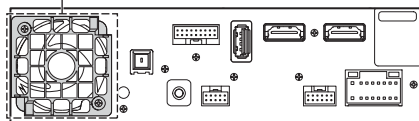
Benutzer von X803D-U
Um das X803D-U einzubauen, schlagen Sie in der Anleitung des separat erworbenen Einbausatzes für den jeweiligen Fahrzeugtyp nach.

Vorsicht

Achten Sie auf ungehinderte Luftzirkulation im Bereich des Ventilators. Falls die Belüftungsöffnungen verdeckt oder verschlossen werden, kommt es zu Hitzestau im Gerät und Brandgefahr.

<Beispiel>

Belüftungsöffnung

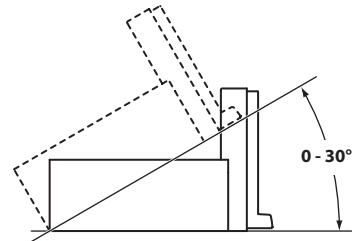


Rückseite des Geräts

Vorsichtshinweise zum Installationsort

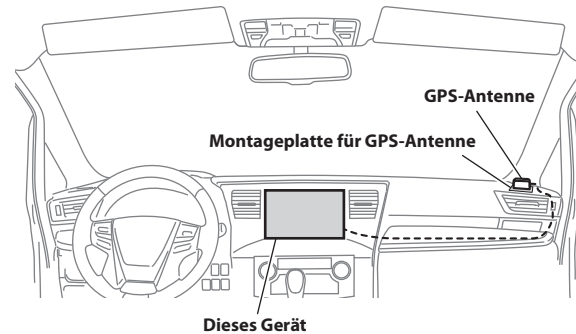
Installationswinkel

Die Installation sollte in einem Winkel zwischen horizontal und 30° erfolgen. Liegt der Installationswinkel außerhalb dieses Bereichs, kann es zu Leistungseinbußen und möglicherweise zu Schäden kommen.



Montieren der GPS-Antenne im Fahrzeug

- 1 Reinigen Sie die Montagestelle.
- 2 Bringen Sie die Montageplatte für die GPS-Antenne an.
- 3 Montieren Sie die GPS-Antenne.



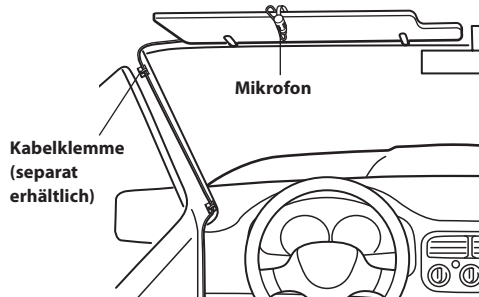
- Montieren Sie die GPS-Antenne nicht in der Mittelkonsole.
 - Montieren Sie die GPS-Antenne auf einer ebenen Fläche auf dem Armaturenbrett oder der Hutablage.
 - Achten Sie darauf, die GPS-Antenne nicht durch Metallgegenstände abzudecken.
- Wenn die GPS-Antenne nahe am Gerät montiert wird, verringert sich die Empfangsqualität und die Position des Fahrzeugs wird unter Umständen nicht korrekt angezeigt.
 - Montieren Sie die GPS-Antenne in ausreichender Entfernung von diesem Gerät.
 - Halten Sie das Kabel der GPS-Antenne von der Rückseite des Geräts fern.
- Bestimmte Arten von wärmeabweisendem bzw. wärmeabsorbierendem Glas können Hochfrequenzwellen blockieren. Wenn der Empfang schlecht ist und die Antenne im Fahrzeug installiert ist, montieren Sie sie versuchsweise außen am Fahrzeug.

Einbau des Mikrofons

Beachten Sie Folgendes für den sicheren Gebrauch:

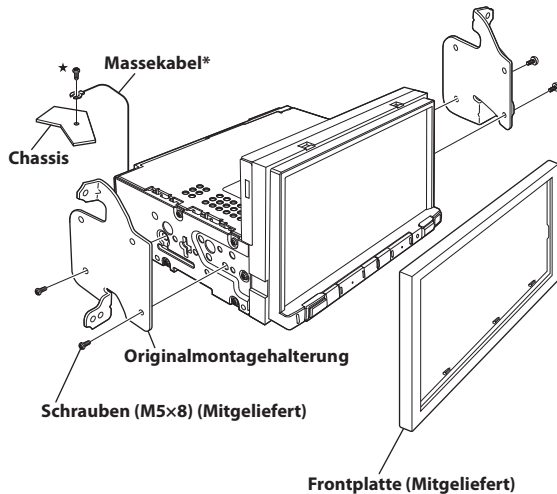
- Die Position muss stabil und sicher sein.
- Das Sichtfeld und der Aktionsradius des Fahrers dürfen nicht versperrt werden.
- Das Mikrofon ist dort angebracht, wo die Stimme des Fahrers gut hörbar ist (zum Beispiel an der Sonnenblende).

Beim Sprechen in das Mikrofon sollten Sie nicht die Haltung ändern müssen, die Sie zum Fahren eingenommen haben. Dies könnte Ihre Aufmerksamkeit vom sicheren Fahren Ihres Wagens ablenken. Beachten Sie die Richtung und den Abstand beim Anbringen des Mikrofons. Überprüfen Sie, ob die Stimme des Fahrers am ausgewählten Ort gut hörbar ist.



Installationsbeispiel mit der Originalmontagehalterung

- 1 Bringen Sie die Originalmontagehalterung mit den mitgelieferten Schrauben am Gerät an.



* Verbinden Sie das Massekabel fest mit einer bereits an einem Metallteil des Fahrzeugs vorhandenen Schraube (mit (★) markiert) oder mit einer sauberen, blanken Metallstelle der Fahrzeugkarosserie.

- 2 Schließen Sie alle anderen Kabel des Geräts gemäß den Angaben unter „Anschlüsse“ (Seite 5) an.

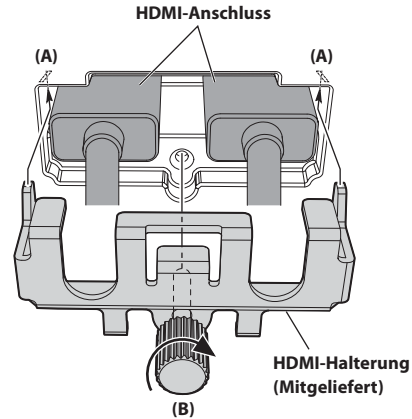
- 3 Montieren Sie das Gerät in einem Fahrzeug.

- Fixieren Sie die Kabel sorgfältig. Achten Sie darauf, dass sie nicht in bewegliche Teile wie Sitzschienen geraten können, und verlegen Sie sie nicht in der Nähe von scharfen Kanten oder spitzen Ecken. Andernfalls könnten sie beschädigt werden.

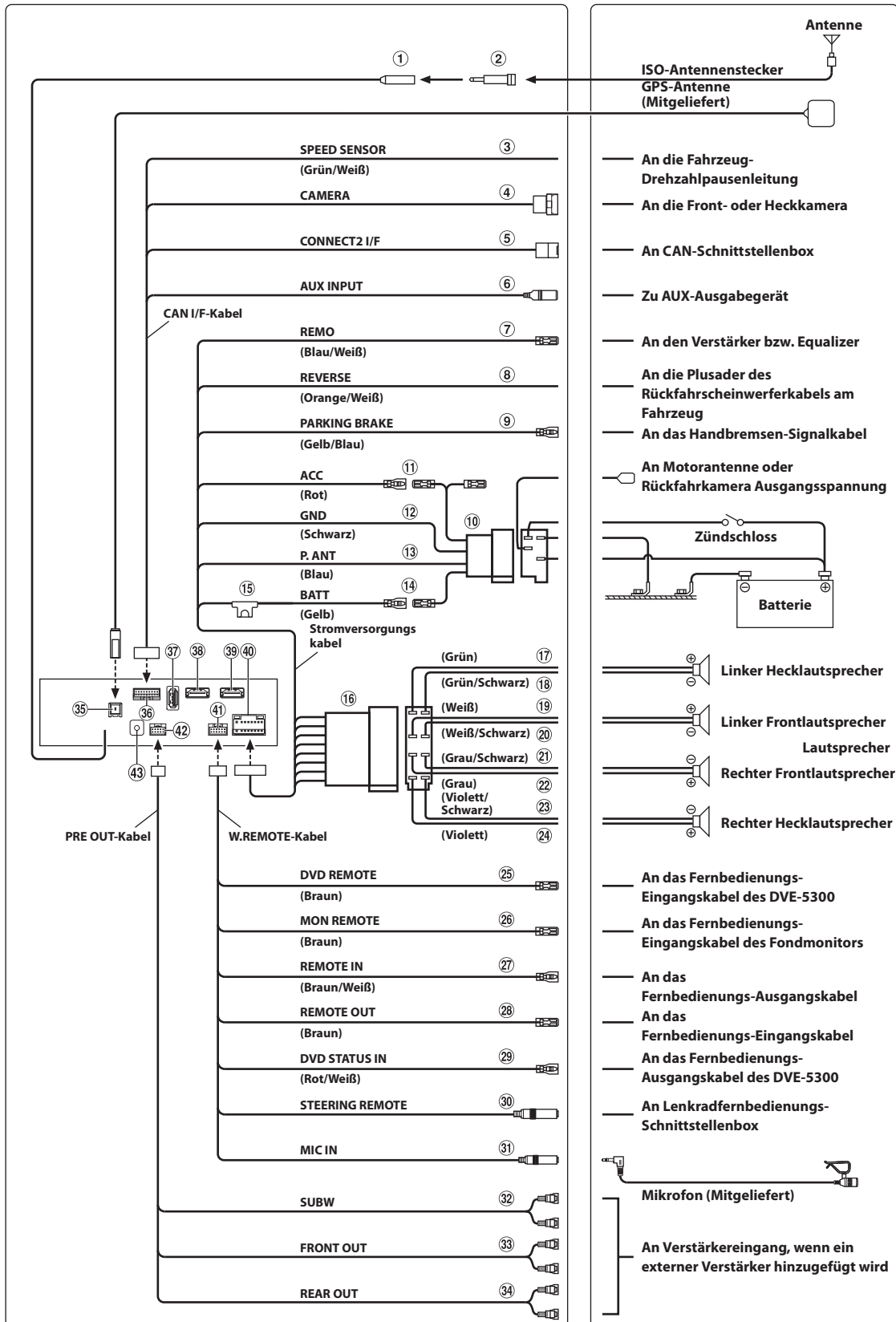
Hinweis zum Verwenden von HDMI-Verbindungskabeln

Wenn Sie HDMI-Verbindungskabel verwenden, sichern Sie die Kabel mit der mitgelieferten HDMI-Halterung an den HDMI-Anschlüssen.

- 1 Schieben Sie die HDMI-Halterung in die Kerben (A) ein.
- 2 Sichern Sie sie mit der Schraube (B).



Anschlüsse

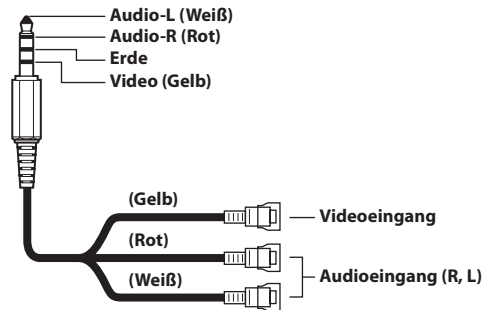


- ① **Radioantennen-Anschluss**
- ② **ISO/JASO-Antennenadapter (separat erhältlich)**
Ein ISO/JASO-Antennenadapter ist je nach Fahrzeug erforderlich.
- ③ **Drehzahlsensorkabel (Grün/Weiß)**
Eine falsche Verbindung der Drehzahlimpulsleitung kann zu einem Versagen wichtiger Sicherheitsfunktionen (z. B. Bremsen oder Airbags) des Fahrzeugs führen. Dies kann tödliche Unfälle nach sich ziehen. Wir empfehlen dringend, die Installation von einem ausgebildeten und autorisierten Alpine-Händler durchführen zu lassen.
- ④ **Direkter CAMERA-Eingangsanschluss**
Verwendbar, wenn die optionale Direktkamera angeschlossen ist.
- ⑤ **CAN-Schnittstellenanschluss**
An CAN-Schnittstellenbox
- ⑥ **AUX-Eingangsanschluss**
Zuleitung für AUX Video-/Audiosignal.
• *Es ist ein separat erhältliches AV/RCA-Schnittstellenkabel (4-poliger Mini-AV-Stecker zu 3-RCA) erforderlich. Einzelheiten zum Verwenden eines AV/RCA-Schnittstellenkabels (4-poliger Mini-AV-Stecker an 3-RCA) finden Sie unter „Geeignetes AV/RCA-Schnittstellenkabel (4-poliger Mini-AV-Stecker an 3-RCA)“ (Seite 7).*
- ⑦ **Feineinschaltkabel (Blau/Weiß)**
Verbinden Sie dieses Kabel mit dem Feineinschaltkabel des Verstärkers oder Soundprozessors.
- ⑧ **Rückfahrkabel (Orange/Weiß)**
Schließen Sie das Kabel an den Pluspol der Rückfahrscheinwerfer des Fahrzeugs an. Diese Scheinwerfer leuchten auf, wenn der Rückwärtsgang (R) eingelegt wird. Sofern dieses Kabel richtig angeschlossen ist, wird anstelle des Videobildes automatisch das Bild von der Rückfahrkamera angezeigt, sobald der Rückwärtsgang (R) eingelegt wird.
- ⑨ **Handbrems-Signalkabel (Gelb/Blau)**
Verbinden Sie dieses Kabel mit der Stromversorgung des Handbremschalters, damit dem Gerät Statussignale der Handbremse gemeldet werden.
- ⑩ **ISO-Stromversorgungsanschluss**
- ⑪ **Kabel für geschaltete Spannungsversorgung (Zündung) (Rot)**
Schließen Sie dieses Kabel an eine freie Klemme im Sicherungskasten oder eine andere nicht belegte Versorgungsleitung an, die bei eingeschalteter Zündung bzw. in Position ACC (+) 12 V liefert.
- ⑫ **Massekabel (Schwarz)**
Dieses Kabel an einem geeigneten Punkt an Fahrzeugmasse legen.
Achten Sie darauf, dass der gewählte Punkt lack- und fettfrei ist und schrauben Sie das Kabel mit der mitgelieferten Blechschraube gut fest.
- ⑬ **Motorantennenkabel (Blau)**
Verbinden Sie dieses Kabel mit dem +B-Anschluss der Motorantenne, falls vorhanden.
• *Wenn die Rückfahrkamera Ihres Fahrzeugs mit einer Elektrischschutzabdeckung ausgestattet ist, ändern Sie die Einstellung von Rückfahrkamera Ausgangsspannung auf On und verbinden Sie diese Leitung mit dem Anschluss +B der Rückfahrkamera.*
• *Diese Leitung sollte nur zum Steuern der Motorantenne oder der Rückfahrkamera des Fahrzeugs verwendet werden. Verwenden Sie dieses Kabel nicht zum Einschalten eines Verstärkers oder Soundprozessors usw.*
- ⑭ **Batterie-zuleitungskabel (Gelb)**
Verbinden Sie dieses Kabel mit dem Pluspol (+) der Fahrzeugbatterie.
- ⑮ **Sicherungshalter (15 A)**
- ⑯ **ISO-Stecker (LautsprecherAusgänge)**
- ⑰ **Kabel für linken Hecklautsprecher (+) (Grün)**
- ⑱ **Kabel für linken Hecklautsprecher (-) (Grün/Schwarz)**
- ⑲ **Kabel für linken Frontlautsprecher (+) (Weiß)**
- ⑳ **Kabel für linken Frontlautsprecher (-) (Weiß/Schwarz)**
- ㉑ **Kabel für rechten Frontlautsprecher (-) (Grau/Schwarz)**
- ㉒ **Kabel für rechten Frontlautsprecher (+) (Grau)**
- ㉓ **Kabel für rechten Hecklautsprecher (-) (Violett/Schwarz)**
- ㉔ **Kabel für rechten Hecklautsprecher (+) (Violett)**
- ㉕ **Fernbedienungs-Ausgangskabel (Braun) (Für DVD-Player DVE-5300)**
Wird mit dem Fernbedienungs-Eingangskabel verbunden. Über dieses Kabel werden die Steuersignale der Fernbedienung ausgegeben.
- ㉖ **Fernbedienungs-Ausgangskabel (Braun) (Für Fondmonitor)**
Wird mit dem Fernbedienungs-Eingangskabel verbunden. Über dieses Kabel werden die Steuersignale der Fernbedienung ausgegeben.
- ㉗ **Fernbedienungs-Eingangskabel (Braun/Weiß)**
Wird mit dem Fernbedienungs-Ausgangskabel des externen Alpine-Gerätes verbunden.

- ②⑧ **Fernbedienungs-Ausgangskabel (Braun)**
Wird mit dem Fernbedienungs-Eingangskabel verbunden. Über dieses Kabel werden die Steuersignale der Fernbedienung ausgegeben.
- ②⑨ **DVD-Steuerkabel (Rot/Weiß) (Für DVD-Player DVE-5300)**
Wird mit dem Fernbedienungs-Ausgangskabel des DVD-Players DVE-5300 verbunden.
- ③① **Lenkradfernbedienungs-Schnittstellenanschluss**
An Lenkradfernbedienungs-Schnittstellenbox. Einzelheiten zu den Anschlüssen können Sie bei Ihrem Alpine-Kundendienst in Erfahrung bringen.
- ③① **MIC-Eingangsbuchse**
An Mikrophon (Mitgeliefert)
- Stellen Sie bei Verwendung des inbegriffenen Mikrofons die Mikrofonauswahl auf „Add-on“. Einzelheiten dazu finden Sie unter „Auswählen des Mikrofons“ in der *BEDIENUNGSANLEITUNG (CD-ROM)*.
- ③② **RCA-Buchsen für Subwoofer**
Die ROTE Buchse ist für den rechten Kanal, die WEISSE für den linken bestimmt.
- ③③ **RCA-Ausgangsbuchsen für Frontlautsprecher**
Können zum Anschließen von Frontlautsprechern über die RCA-Buchsen verwendet werden. Die ROTE Buchse ist für den rechten Kanal, die WEISSE für den linken bestimmt.
- ③④ **RCA-Ausgangsbuchsen für Hecklautsprecher**
Können zum Anschließen von Hecklautsprechern über die RCA-Buchsen verwendet werden. Die ROTE Buchse ist für den rechten Kanal, die WEISSE für den linken bestimmt.
- ③⑤ **GPS-Antennenbuchse**
Schließen Sie die GPS-Antenne an (Mitgeliefert).
- ③⑥ **CAN I/F-Anschluss**
- ③⑦ **USB-Anschluss**
An USB-Flash-Laufwerk, iPod/iPhone oder Android-Smartphone.
- ③⑧ **HDMI-Eingang**
- ③⑨ **HDMI-Ausgang**
- ④① **Stromversorgungsanschluss**
- ④② **W.REMOTE-Anschluss**
- ④③ **PRE OUT-Anschluss**
- ④④ **DAB-Antennenanschluss**
An DAB-Antenne (separat erhältlich).

Geeignetes AV/RCA-Schnittstellenkabel (4-poliger Mini-AV-Stecker an 3-RCA)

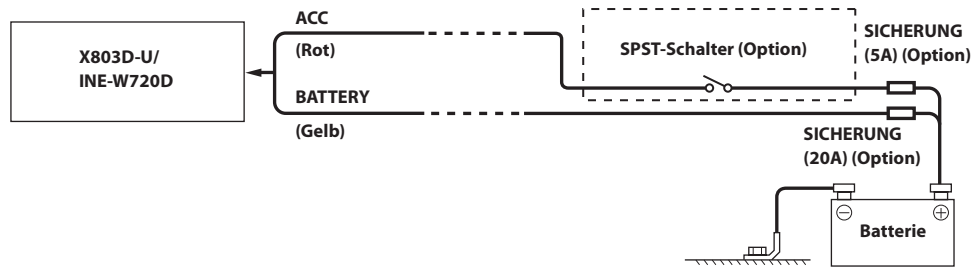
Verdrahtungskonvention dieses Systems:



- Die Konfiguration handelsüblicher 4-poliger Mini-AV-Stecker ist nicht standardisiert.

Bei Fahrzeugen ohne ACC-Spannungsversorgung

Anschlussschema für SPST-Schalter (separat erhältlich)



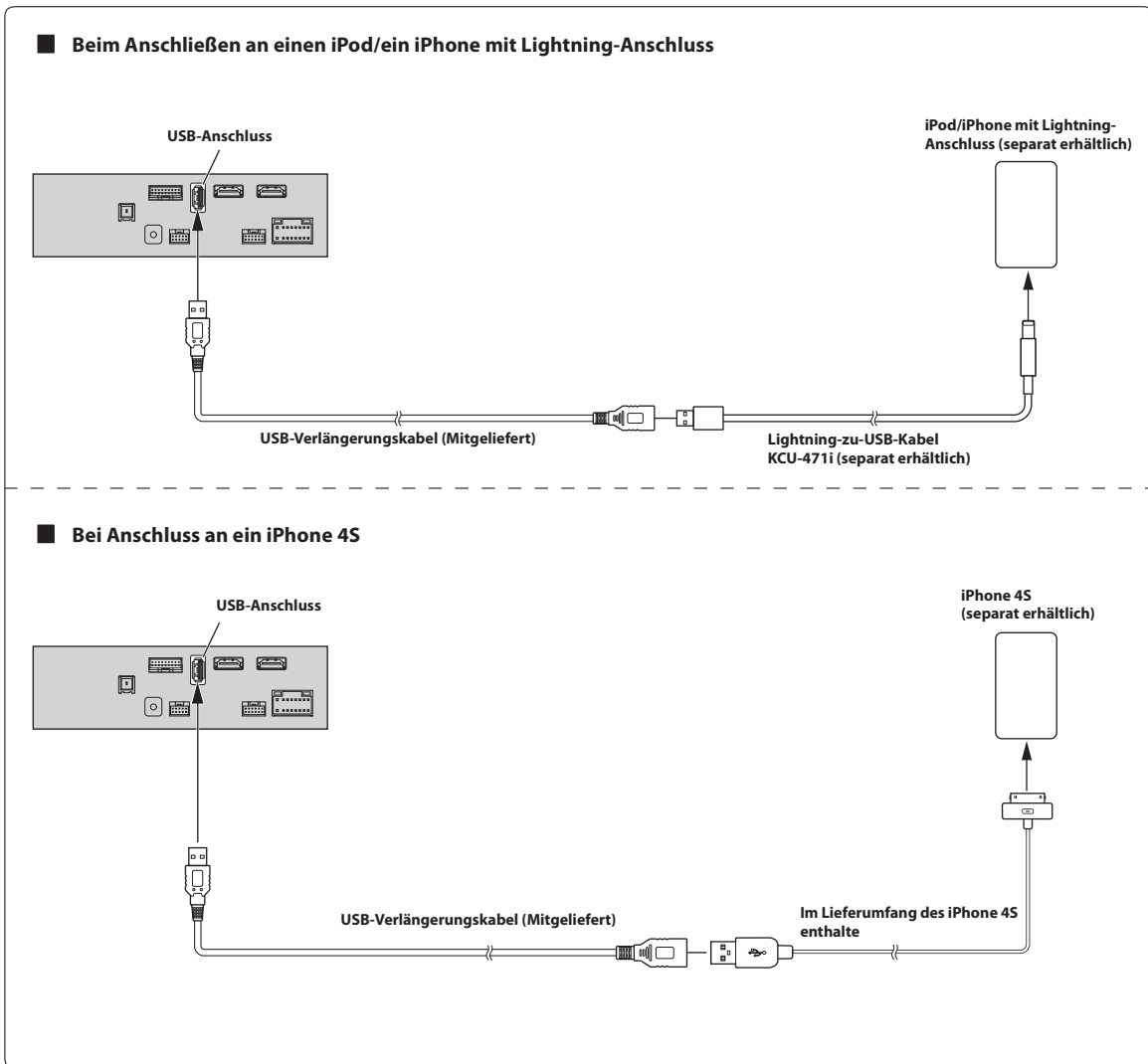
- Wenn Ihr Fahrzeug keine ACC-Spannungsversorgung bietet, schließen Sie das Gerät über einen separat erhältlichen SPST-Schalter (Single-Pole, Single-Throw) und über eine separat erhältliche Sicherung an.
- Das Diagramm und der oben angegebene Ampere-Wert der Sicherung beziehen sich auf den Fall, dass das Gerät allein verwendet wird.
- Wenn die Zuleitung für die geschaltete Stromversorgung (über die Zündung) des Geräts direkt mit dem Pluspol (+) der Batterie des Fahrzeugs verbunden wird, zieht das Gerät eine gewisse Strommenge (mehrere hundert Milliampere), auch wenn sich der Schalter in der Position OFF befindet. Dies kann eine allmähliche Entladung der Fahrzeugbatterie zur Folge haben.

Zur Verhütung von Störeinstreuungen.

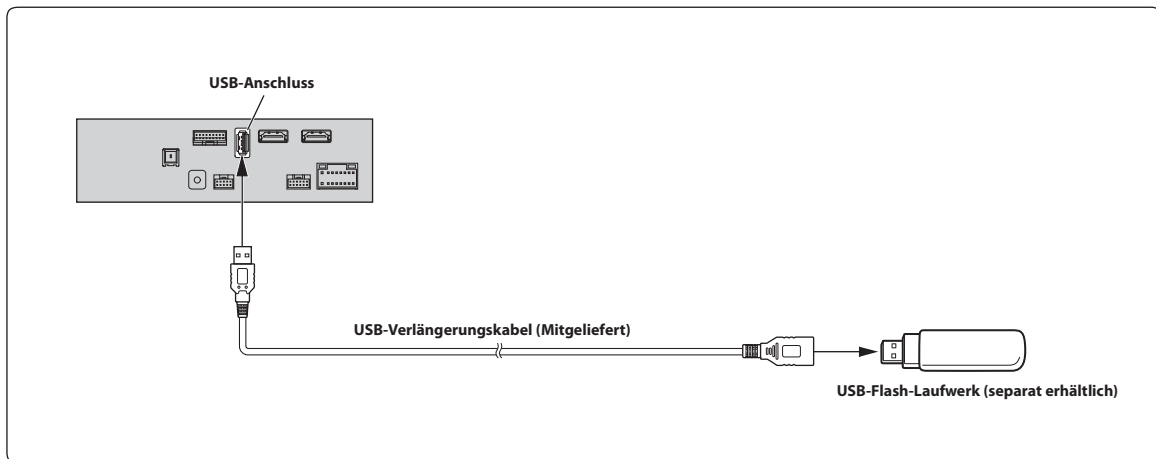
- Achten Sie beim Einbau darauf, dass das Gerät und die Anschluss- und Verbindungskabel mindestens 10 cm vom nächsten Kabelbaum des Fahrzeugs entfernt sind.
- Verlegen Sie das Batterie-Zuleitungskabel so weit wie möglich entfernt von anderen Kabeln.
- Legen Sie das Massekabel gut an einem blanken Punkt des Fahrzeugchassis an Masse (ggf. Lack, Schmutz oder Fett an der betreffenden Stelle entfernen).
- Wenn Sie einen optionalen Entstörfilter verwenden, schalten Sie diesen so weit wie möglich vom Gerät entfernt in das Bordnetz. Ihr Alpine-Fachhändler hält eine Reihe wirkungsvoller Entstörfilter bereit und berät Sie gerne.
- Sollten Sie bezüglich der Entstörung Ihres Fahrzeugs weitere Fragen haben, wenden Sie sich bitte an Ihren Alpine-Fachhändler.

Systembeispiel

Anschließen eines iPod/iPhone

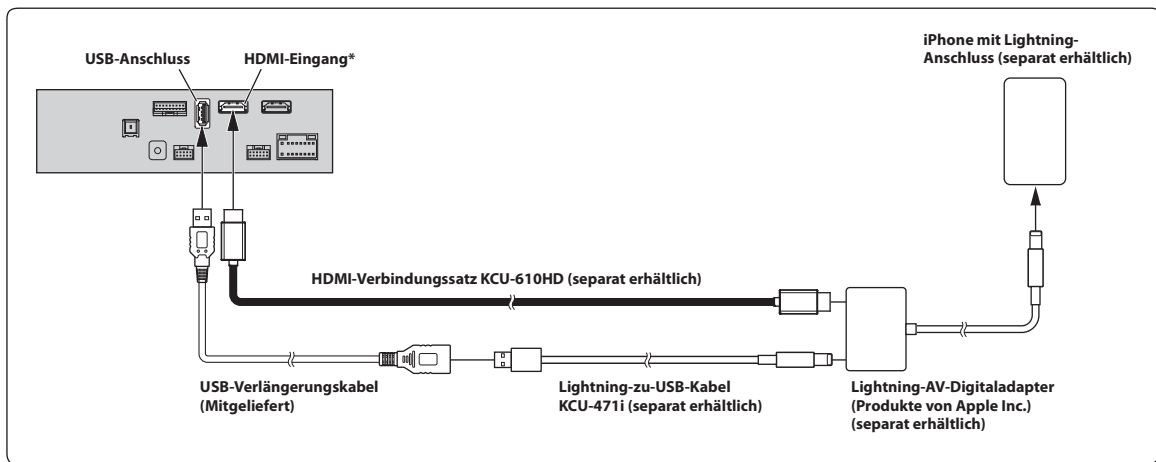


Anschluss eines Flash-Laufwerks



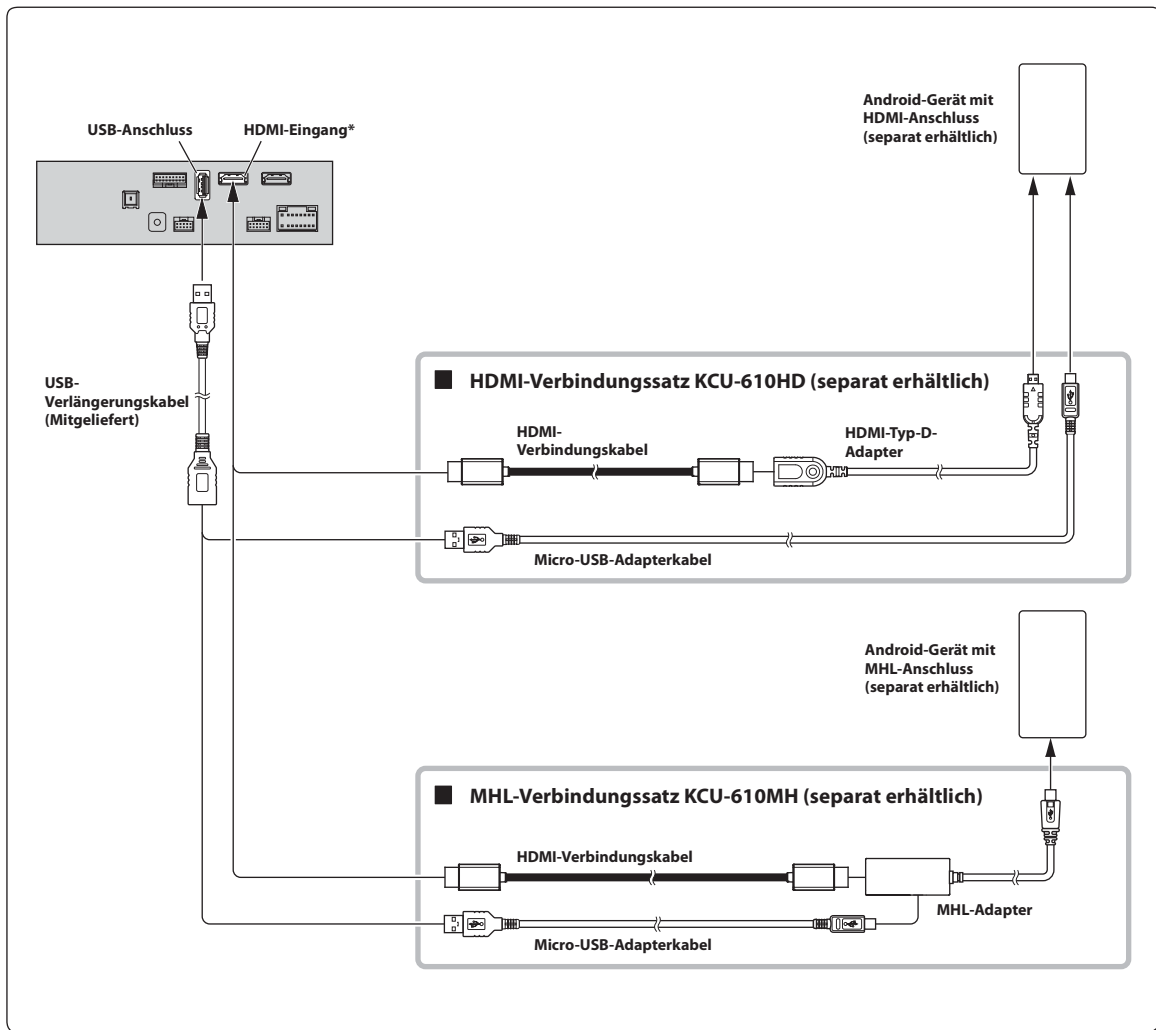
- Lassen Sie ein Flash-Laufwerk nicht für längere Zeit im Fahrzeug. Hitze und Feuchtigkeit können das Flash-Laufwerk beschädigen.

Anschluss eines HDMI-Geräts (iPhone mit Lightning-Anschluss)



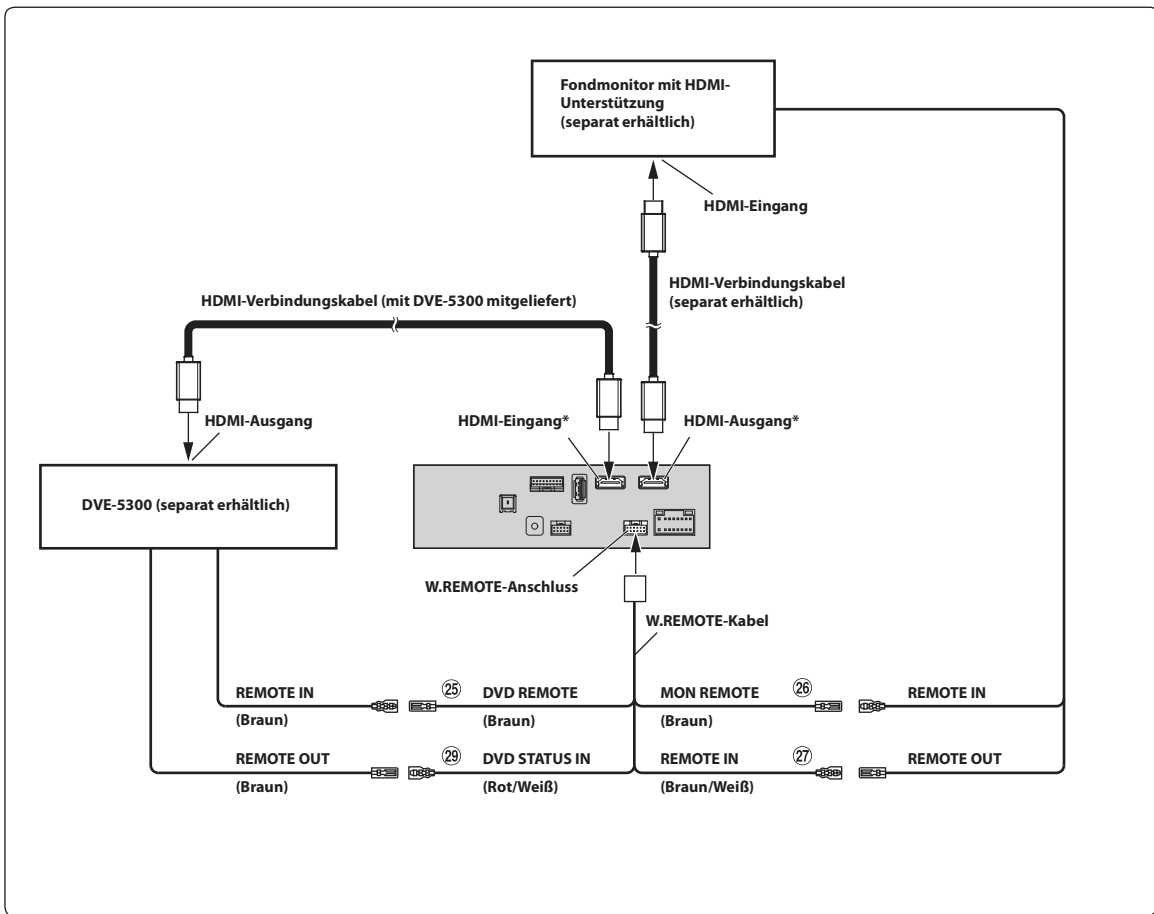
- * Wenn Sie ein HDMI-Verbindungskabel anschließen, sichern Sie es unbedingt mit der mitgelieferten HDMI-Halterung. Einzelheiten dazu finden Sie unter „Hinweis zum Verwenden von HDMI-Verbindungskabeln“ (Seite 4).
- Setzen Sie HDMI-Setup auf „HDMI“. Einzelheiten dazu finden Sie unter „HDMI-Einstellungen“ in der *BEDIENUNGSANLEITUNG* (CD-ROM).

Anschluss eines HDMI-Geräts (Android-Geräts)



- Ein geeigneter Verbindungs- oder Adaptersatz für die Art des Anschlusses am anzuschließenden Gerät ist erforderlich.
 - Setzen Sie HDMI-Setup auf „HDMI“. Einzelheiten dazu finden Sie unter „HDMI-Einstellungen“ in der **BEDIENUNGSANLEITUNG (CD-ROM)**.
- * Wenn Sie ein HDMI-Verbindungskabel anschließen, sichern Sie es unbedingt mit der mitgelieferten HDMI-Halterung. Einzelheiten dazu finden Sie unter „Hinweis zum Verwenden von HDMI-Verbindungskabeln“ (Seite 4).

Anschluss eines DVE-5300 und eines Fondmonitors mit HDMI-Unterstützung



②⑤ Fernbedienungs-Ausgangskabel (Braun) (Für DVD-Player DVE-5300)

②⑦ Fernbedienungs-Eingangskabel (Braun/Weiß) (Für Fondmonitor)

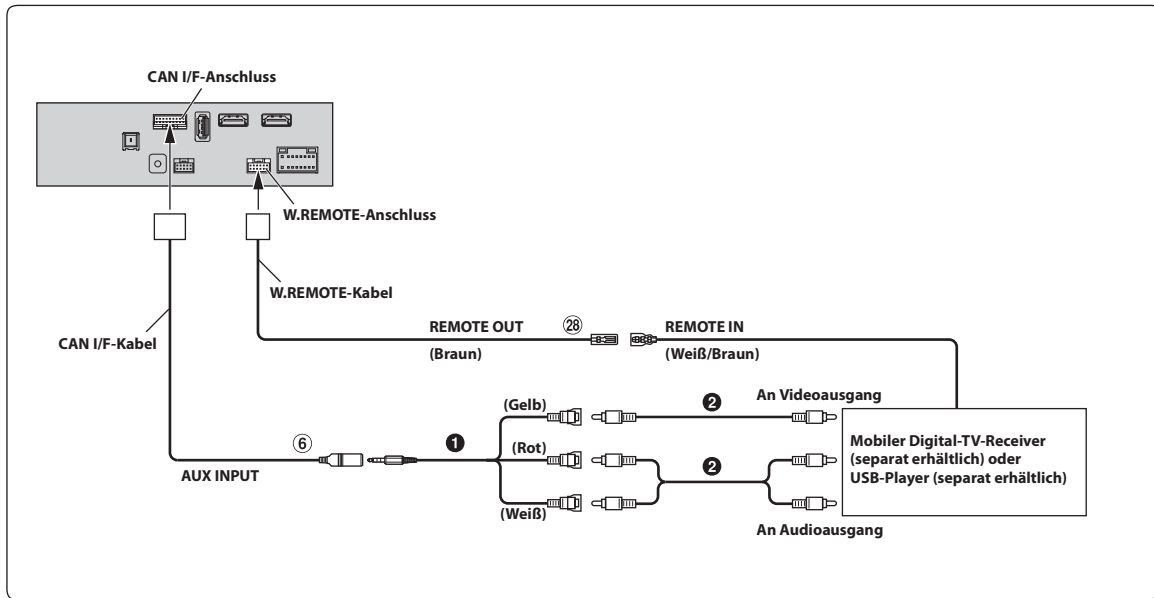
②⑥ Fernbedienungs-Ausgangskabel (Braun) (Für Fondmonitor)

②⑨ DVD-Steuerkabel (Rot/Weiß) (Für DVD-Player DVE-5300)

* Wenn Sie ein HDMI-Verbindungskabel anschließen, sichern Sie es unbedingt mit der mitgelieferten HDMI-Halterung. Einzelheiten dazu finden Sie unter „Hinweis zum Verwenden von HDMI-Verbindungskabeln“ (Seite 4).

• Setzen Sie HDMI-Setup auf „DVD“. Einzelheiten dazu finden Sie unter „HDMI-Einstellungen“ in der BEDIENUNGSANLEITUNG (CD-ROM).

Anschluss eines mobilen Digital-TV-Receiver oder USB-Players



⑥ AUX-Eingangsanschluss

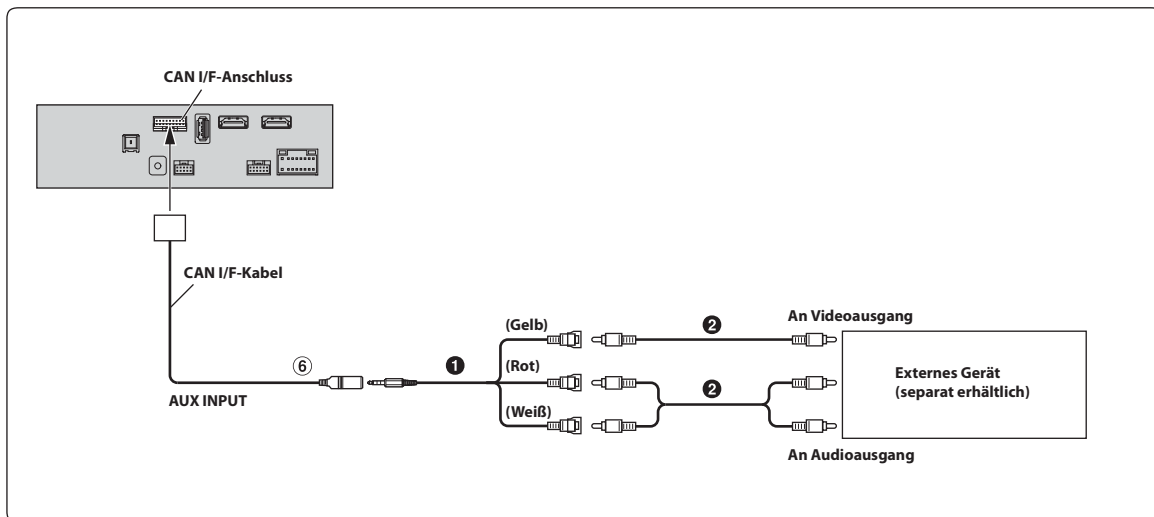
⑳ Fernbedienungs-Ausgangskabel (Braun)

① AV/RCA-Schnittstellenkabel (4-poliger Mini-AV-Stecker an 3-RCA) (separat erhältlich)

② RCA-Anschlusskabel (separat erhältlich)

- Einzelheiten zum Verwenden eines AV/RCA-Schnittstellenkabels (4-poliger Mini-AV-Stecker an 3-RCA) finden Sie unter „Geeignetes AV/RCA-Schnittstellenkabel (4-poliger Mini-AV-Stecker an 3-RCA)“ (Seite 7).
- Setzen Sie AUX Name auf „DVB-T“ oder „USB Player“. Einzelheiten dazu finden Sie unter „Einstellen des Namens für das zusätzliche Gerät (AUX)“ in der BEDIENUNGSANLEITUNG (CD-ROM).

Anschluss eines Peripheriegeräts



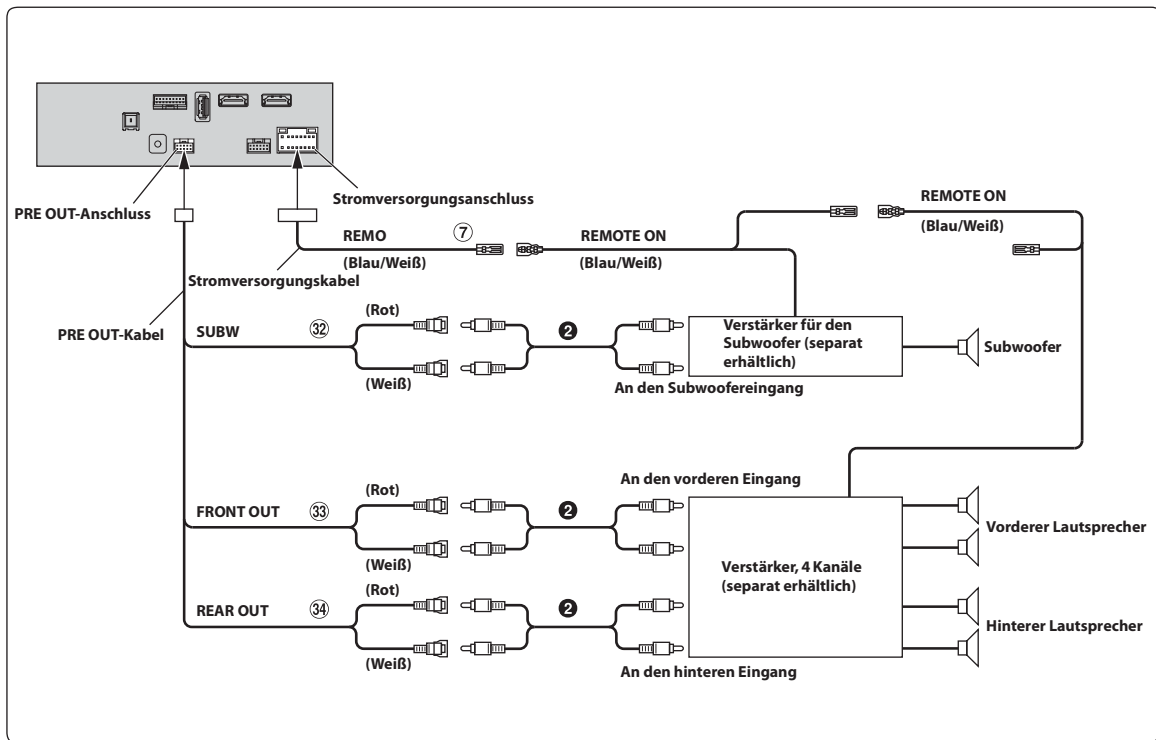
⑥ AUX-Eingangsanschluss

① AV/RCA-Schnittstellenkabel (4-poliger Mini-AV-Stecker an 3-RCA) (separat erhältlich)

② RCA-Anschlusskabel (separat erhältlich)

- Sie können den Namen eines Peripheriegeräts ändern. Einzelheiten dazu finden Sie unter „Einstellen des Namens für das zusätzliche Gerät (AUX)“ in der BEDIENUNGSANLEITUNG (CD-ROM).
- Einzelheiten zum Verwenden eines AV/RCA-Schnittstellenkabels (4-poliger Mini-AV-Stecker an 3-RCA) finden Sie unter „Geeignetes AV/RCA-Schnittstellenkabel (4-poliger Mini-AV-Stecker an 3-RCA)“ (Seite 7).

Anschließen eines externen Verstärkers



⑦ Ferneinschaltkabel (Blau/Weiß)

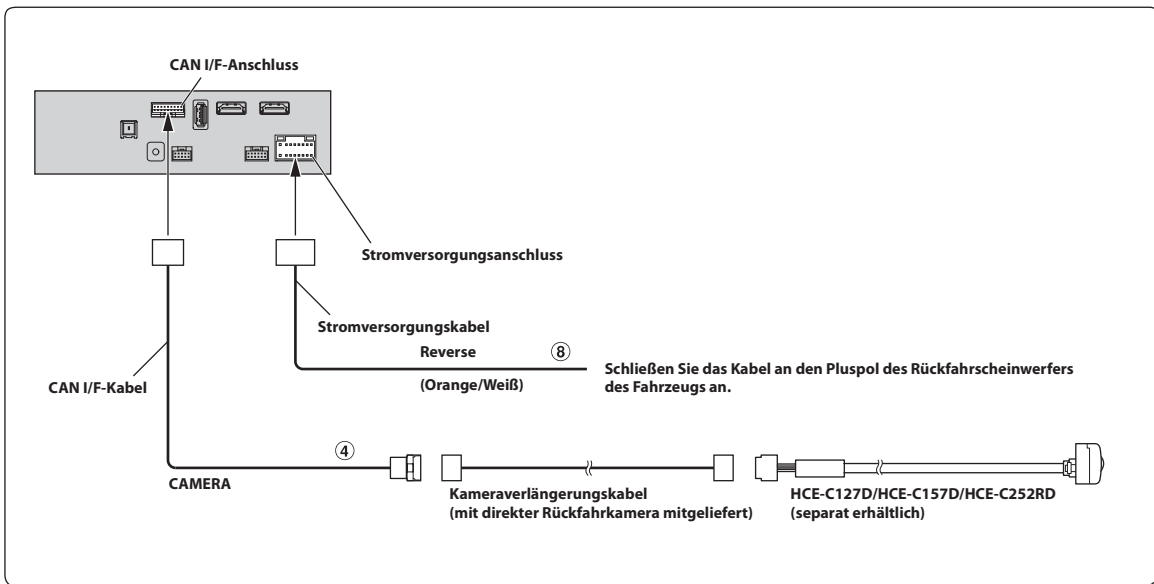
② RCA-Anschlusskabel (separat erhältlich)

③② RCA-Buchsen für Subwoofer

③③ RCA-Ausgangsbuchsen für Frontlautsprecher

③④ RCA-Ausgangsbuchsen für Hecklautsprecher

Anschluss einer Rückfahrkamera

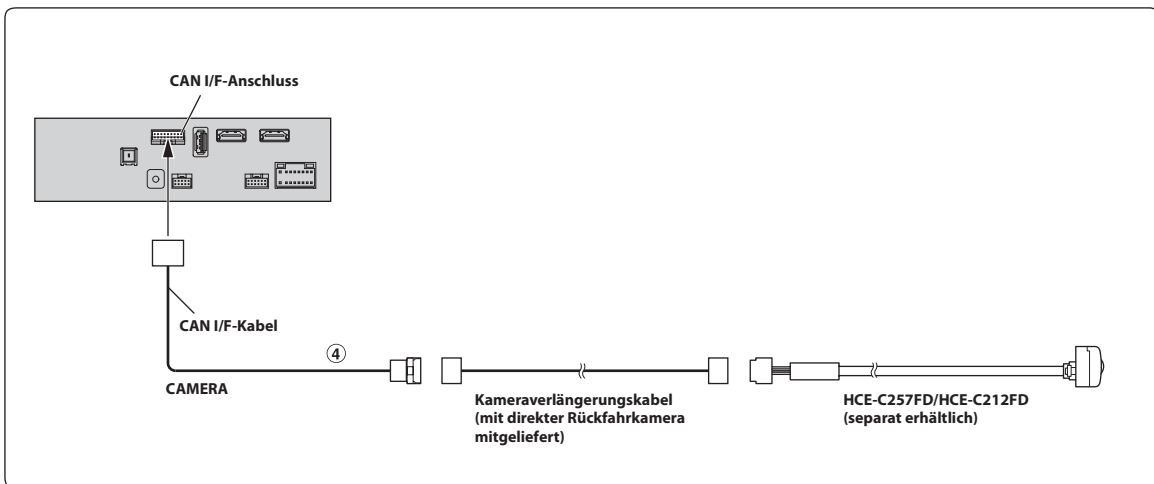


④ Direkter CAMERA-Eingangsanschluss

⑧ Rückfahrkabel (Orange/Weiß)

- Setzen Sie Kameraauswahl auf „Hinten“. Einzelheiten dazu finden Sie unter „Einstellen des Kameraeingangs“ in der *BEDIENUNGSANLEITUNG* (CD-ROM).

Anschluss einer Frontkamera



④ Direkter CAMERA-Eingangsanschluss

- Setzen Sie Kameraauswahl auf „Vorn“. Einzelheiten dazu finden Sie unter „Einstellen des Kameraeingangs“ in der *BEDIENUNGSANLEITUNG* (CD-ROM).

Table des matières

AVERTISSEMENT	2
ATTENTION	2
Précautions	3
Liste des accessoires	3
Installation	3
Précautions concernant l'emplacement d'installation	3
Installation de l'antenne GPS à l'intérieur du véhicule	3
Montage du microphone	4
Exemple d'installation à l'aide du support de montage original	4
Raccordements	5
Si l'alimentation ACC n'est pas disponible	8
Exemple de système	9



AVERTISSEMENT

Ce symbole désigne des instructions importantes. Le non-respect de ces instructions peut entraîner de graves blessures, voire la mort.

NE PAS DESASSEMBLER NI MODIFIER L'APPAREIL.

Il y a risque d'accident, d'incendie ou de choc électrique.

GARDER LES PETITS OBJETS COMME LES VIS HORS DE LA PORTEE DES ENFANTS.

L'ingestion de tels objets peut entraîner de graves blessures. En cas d'ingestion, consulter immédiatement un médecin.

UTILISER DES FUSIBLES DE L'AMPERAGE APPROPRIE.

Il y a risque d'incendie ou de décharge électrique.

NE PAS OBSTRUER LES SORTIES D'AIR NI LES PANNEAUX DU RADIATEUR.

Une surchauffe interne peut se produire et provoquer un incendie.

UTILISER CET APPAREIL POUR DES APPLICATIONS MOBILES DE 12 V.

Toute utilisation autre que l'application désignée comporte un risque d'incendie, de choc électrique ou de blessure.

EFFECTUER CORRECTEMENT LES CONNEXIONS.

Il y a risque de blessures ou de dommages à l'appareil.

A UTILISER UNIQUEMENT SUR DES VOITURES A MASSE NEGATIVE DE 12 VOLTS.

(Vérifiez auprès de votre concessionnaire si vous n'en êtes pas certain.) Il y a risque d'incendie, etc.

AVANT TOUTE CONNEXION, DEBRANCHER LE CABLE DE LA BORNE NEGATIVE DE LA BATTERIE.

Il y a risque de choc électrique ou de blessure par courts-circuits.

NE PAS COINCER LES CABLES AVEC DES OBJETS VOISINS.

Positionner les câbles conformément au manuel de manière à éviter toute obstruction en cours de conduite. Les câbles qui obstruent ou dépassent à des endroits tels que le volant, le levier de changement de vitesses, la pédale de frein, etc., peuvent s'avérer extrêmement dangereux.

NE PAS DENUDER LES CABLES ELECTRIQUES.

Ne jamais enlever la gaine isolante pour alimenter un autre appareil. Il y a risque de dépassement de la capacité de courant et, partant, d'incendie ou de choc électrique.

NE PAS ENDOMMAGER DE CONDUITES NI DE CABLES LORS DU FORAGE DES TROUS.

Lors du forage de trous dans le châssis en vue de l'installation, veiller à ne pas entrer en contact, endommager ni obstruer de conduites, de tuyaux à carburant ou de fils électriques. Le non-respect de cette précaution peut entraîner un incendie.

NE PAS UTILISER DES ECROUS NI DES BOULONS DU CIRCUIT DE FREINAGE OU DE DIRECTION POUR LES CONNEXIONS DE MASSE.

Les boulons et les écrous utilisés pour les circuits de freinage et de direction (ou de tout autre système de sécurité) ou les réservoirs ne peuvent JAMAIS être utilisés pour l'installation ou la liaison à la masse. L'utilisation de ces organes peut désactiver le système de contrôle du véhicule et causer un incendie, etc.

NE PAS INSTALLER A DES ENDROITS SUSCEPTIBLES D'ENTRAVER LA CONDUITE DU VEHICULE, COMME LE VOLANT OU LE LEVIER DE VITESSES.

La vue vers l'avant pourrait être obstruée ou les mouvements gênés, etc., et provoquer un accident grave.

NE PAS INSTALLER LE MONITEUR PRES DU COUSSIN D'AIR DU PASSAGER.

Si l'appareil n'est pas installé correctement, il risque d'empêcher le fonctionnement du coussin d'air, et si le coussin se déploie, l'appareil risque d'être projeté dans l'habitacle, causant un accident et des blessures.



ATTENTION

Ce symbole désigne des instructions importantes. Le non-respect de ces instructions peut entraîner des blessures ou des dommages matériels.

FAIRE INSTALLER LE CABLAGE ET L'APPAREIL PAR DES EXPERTS.

Le câblage et l'installation de cet appareil requiert des compétences techniques et de l'expérience. Pour garantir la sécurité, faire procéder à l'installation de cet appareil par le distributeur qui vous l'a vendu.

UTILISER LES ACCESSOIRES SPECIFIES ET LES INSTALLER CORRECTEMENT.

Utiliser uniquement les accessoires spécifiés. L'utilisation d'autres composants que les composants spécifiés peut causer des dommages internes à cet appareil ou son installation risque de ne pas être effectuée correctement. Les pièces utilisées risquent de se desserrer et de provoquer des dommages ou une défaillance de l'appareil.

FAIRE CHEMINER LE CABLAGE DE MANIERE A NE PAS LE COINCER CONTRE UNE ARETE METALLIQUE.

Faire cheminer les câbles à l'écart des pièces mobiles (comme les rails d'un siège) et des arêtes acérées ou pointues. Cela évitera ainsi de coincer et d'endommager les câbles. Si un câble passe dans un orifice métallique, utiliser un passe-cloison en caoutchouc pour éviter que la gaine isolante du câble ne soit endommagée par le rebord métallique de l'orifice.

NE PAS INSTALLER A DES ENDROITS TRES HUMIDES OU POUSSIEREUX.

Eviter d'installer l'appareil à des endroits soumis à une forte humidité ou à de la poussière en excès. La pénétration d'humidité ou de poussière à l'intérieur de cet appareil risque de provoquer une défaillance.

Précautions

- Veillez à débrancher le câble de la borne négative (-) de la batterie avant d'installer l'appareil. Les risques de dommages causés par un court-circuit seront réduits.
- Veillez à raccorder les fils codes couleur selon le schéma de connexion. De mauvaises connexions risquent d'entraîner un dysfonctionnement ou d'endommager le système électrique du véhicule.
- Lorsque vous raccordez les fils au système électrique du véhicule, faites attention aux composants installés en usine (par exemple, le microprocesseur). N'essayez pas d'alimenter l'appareil en le raccordant aux fils de ces composants. Lorsque vous raccordez l'appareil au boîtier à fusibles, assurez-vous que le fusible du circuit destiné à l'appareil possède le nombre d'ampères approprié. En cas de doute, consultez votre revendeur Alpine.
- Cet appareil utilise des prises femelles de type RCA pour la connexion à d'autres appareils (par exemple, amplificateurs) munis de connecteurs RCA. Vous aurez éventuellement besoin d'un adaptateur pour le relier à d'autres appareils. Le cas échéant, contactez votre revendeur Alpine agréé qui vous conseillera à ce sujet.
- Veillez à connecter les câbles d'enceinte (-) à la borne de l'enceinte (-). Ne raccordez jamais les câbles d'enceinte des voies gauche et droite ensemble ou au corps du véhicule.

Liste des accessoires

• X803D-U ou INE-W720D	1
• Câble d'alimentation	1
• Antenne GPS	1
• Plaque de montage de l'antenne	1
• Serre-câble pour antenne	1 exemplaire
• Câble d'extension USB	1
• Câble PRE OUT	1
• Microphone	1
• Câble CAN I/F	1
• Câble W.REMOTE	1
• Cadran (INE-W720D uniquement)	1
• Support de fixation HDMI	1
• Vis à tête noyée (M5x8)	4
• Vis (M5x8)	4
• Mode d'emploi	1 exemplaire

Installation

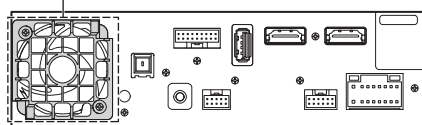
Utilisateur du modèle X803D-U
Pour installer le modèle X803D-U, consultez le manuel du kit d'installation acheté séparément pour chaque type de véhicule.

Attention

N'obstruez pas le ventilateur ou le dissipateur thermique de l'appareil, car cela empêcherait l'air de circuler. En cas d'obstruction, de la chaleur s'accumule à l'intérieur de l'appareil et peut provoquer un incendie.

<exemple>

Orifice de ventilation d'air

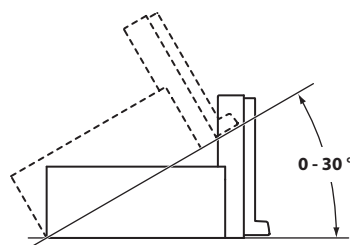


Vue arrière de l'appareil

Précautions concernant l'emplacement d'installation

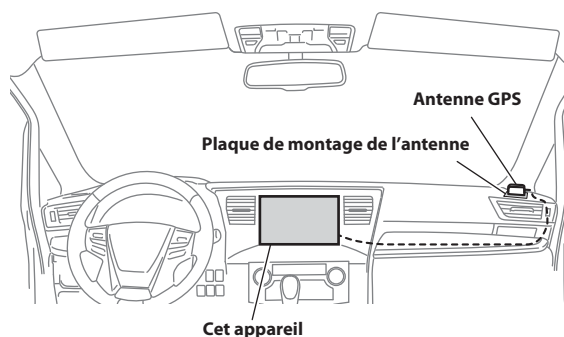
Angle d'installation

Installez l'appareil à un angle compris entre 30° et l'horizontale. Notez que l'installation à un angle non compris dans cette plage entraînera une perte de performance et d'éventuels dommages.



Installation de l'antenne GPS à l'intérieur du véhicule

- 1 Nettoyez la surface d'installation.
- 2 Installez la plaque de montage de l'antenne GPS.
- 3 Fixez l'antenne GPS.



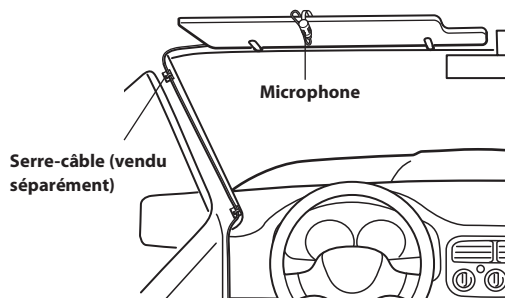
- Ne montez pas l'antenne GPS dans la console centrale.
 - Montez l'antenne GPS sur une surface plane du tableau de bord ou de la plage arrière.
 - Vérifiez que l'antenne GPS n'est pas couverte (obstruée) par une surface ou un objet métallique.
- Si l'antenne GPS est montée près de l'appareil, la réception peut se dégrader et la position de votre véhicule peut ne pas s'afficher correctement.
 - Montez l'antenne GPS à l'écart de l'appareil.
 - Regroupez le câble de l'antenne GPS et éloignez-le de la partie arrière de l'appareil.
- Certains types de verre qui résistent ou absorbent la chaleur peuvent interrompre les ondes haute fréquence. Si la réception est faible après l'installation de l'antenne à l'intérieur du véhicule, essayez d'installer l'antenne à l'extérieur du véhicule.

Montage du microphone

Pour une utilisation en toute sécurité, vérifiez ce qui suit :

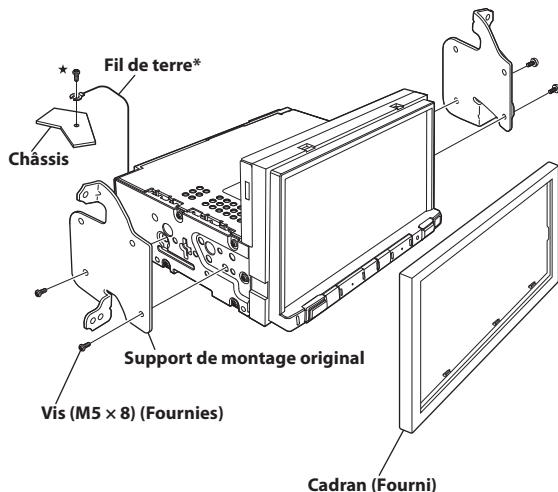
- la position est stable et rigide ;
- la vision et les opérations du conducteur ne sont pas gênées ;
- le microphone est positionné pour capter facilement la voix du conducteur (sur le pare-soleil, etc.).

Lorsque vous parlez dans le microphone, vous ne devriez pas avoir à changer votre posture de conduite. Cela peut causer une distraction, vous divertir d'une conduite en toute sécurité de votre véhicule. Considérez avec soin l'orientation et la distance du microphone lors du montage. Confirmez que la voix du conducteur peut facilement être captée à l'emplacement choisi.



Exemple d'installation à l'aide du support de montage original

- 1 Fixez le support de montage original à l'appareil à l'aide des vis fournies.



* Pour raccorder le fil de terre de façon sécurisée, utilisez une vis existante d'une partie métallique du véhicule (marquée (★)) ou un point métallique nu sur le châssis du véhicule.

- 2 Raccordez tous les autres fils de l'appareil en suivant les indications de la section « Raccordements » (page 5).

- 3 Fixation de l'appareil dans un véhicule.

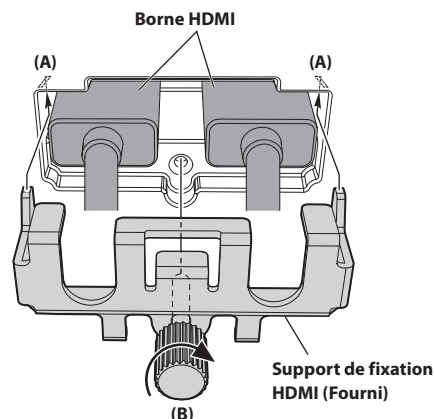
- Soyez vigilant lors de l'installation des câbles. Veillez à ne pas les endommager en les coinçant dans des pièces mobiles, notamment dans le rail d'un siège, ou en les plaçant contre des arêtes pointues ou acérées.

Remarque concernant l'utilisation de câbles de raccordement HDMI

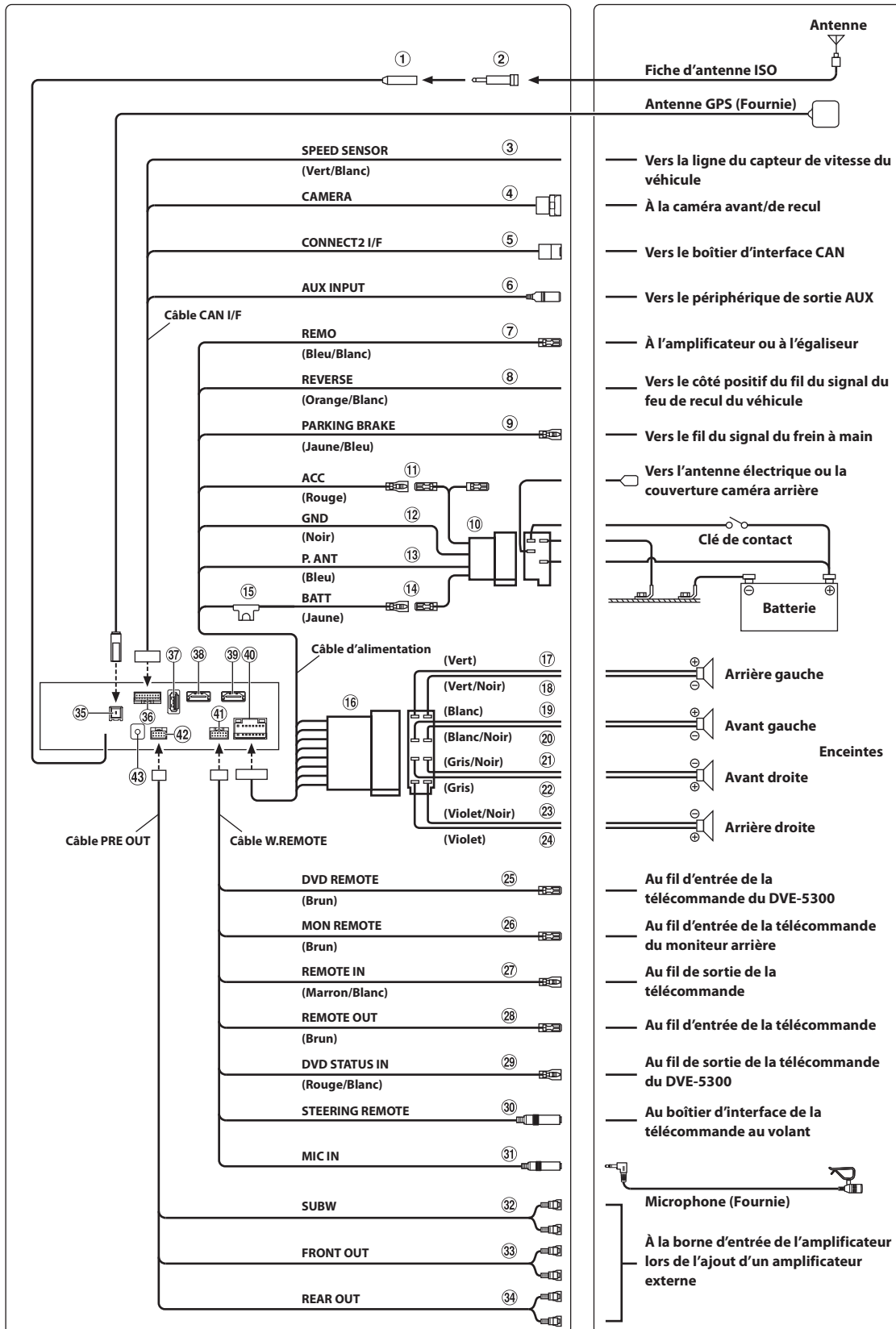
Lorsque vous utilisez des câbles de raccordement HDMI, fixez-les aux bornes HDMI à l'aide du support de fixation HDMI fourni.

- 1 Faites glisser le support de fixation HDMI dans les rainures (A).

- 2 Fixez-le à l'aide de la vis (B).



Raccordements



- ① **Boîtier de l'antenne radio**
- ② **Adaptateur d'antenne ISO/JASO (vendu séparément)**
Selon le véhicule, il est possible que vous ayez besoin d'un adaptateur d'antenne ISO/JASO.
- ③ **Fil du capteur de vitesse (Vert/Blanc)**
Une connexion incorrecte de la ligne du capteur de vitesse peut entraîner la défaillance des principales fonctions de sécurité (telles que les freins ou les coussins d'air). Ces défaillances risquent de provoquer un accident, voire la mort. Il est vivement recommandé de confier l'installation à un revendeur agréé Alpine.
- ④ **Connecteur d'entrée directe de la CAMERA**
Sélectionnez cette valeur lors du raccordement direct de la caméra en option.
- ⑤ **Connecteur d'interface CAN**
Vers le boîtier d'interface CAN
- ⑥ **Connecteur d'entrée AUX**
Câble d'entrée pour le signal vidéo/audio AUX.
 - *Un câble d'interface AV/RCA vendu séparément (fiche Mini AV 4 pôles vers 3-RCA) est nécessaire. Pour plus d'informations sur l'utilisation d'un câble d'interface AV/RCA (mini-fiche AV à 4 pôles vers 3-RCA), voir « Câble d'interface AV/RCA (mini-fiche AV à 4 pôles 3-RCA) utilisable » (page 7).*
- ⑦ **Fil de mise sous tension à distance (Bleu/Blanc)**
Raccordez ce fil au fil de mise sous tension à distance de l'amplificateur ou du processeur de signaux.
- ⑧ **Fil de recul (Orange/Blanc)**
Raccordez ce fil à la borne positive des feux de recul du véhicule. Ces feux s'allument lorsque vous enclenchez la marche arrière (R).
Ce fil étant correctement raccordé, l'image vidéo bascule automatiquement vers la caméra de recul dès que le véhicule est en marche arrière (R).
- ⑨ **Fil du frein à main (Jaune/Bleu)**
Raccordez ce fil au côté de l'alimentation de l'interrupteur du frein à main pour transmettre les signaux d'état du frein à main à l'appareil.
- ⑩ **Connecteur d'alimentation ISO**
- ⑪ **Fil d'alimentation commutée (allumage) (Rouge)**
Raccordez ce fil à une borne ouverte du boîtier de fusibles du véhicule ou à une autre source d'alimentation inutilisée qui fournit une tension positive (+) de 12 V uniquement lorsque la clé de contact est enclenchée ou sur la position accessoire.
- ⑫ **Fil de terre (Noir)**
Raccordez ce fil à une masse correcte du châssis du véhicule. Veillez à effectuer la connexion sur du métal nu et fixez-la fermement à l'aide de la vis à tôle fournie.
- ⑬ **Fil d'antenne à commande électrique (Bleu)**
Raccordez ce fil à la borne +B de votre antenne à commande électrique, le cas échéant.
 - *Lorsque la caméra arrière de votre véhicule est équipée d'une couverture de protection électrique, réglez la couverture caméra arrière sur On et branchez ce fil à la borne +B de votre couverture caméra arrière.*
 - *Ce fil ne doit être utilisé que pour commander l'antenne électrique ou la couverture caméra arrière du véhicule. N'utilisez pas ce fil pour mettre sous tension un amplificateur ou un processeur de signaux, etc.*
- ⑭ **Fil de la batterie (Jaune)**
Raccordez ce fil à la borne positive (+) de la batterie du véhicule.
- ⑮ **Porte-fusibles (15 A)**
- ⑯ **Connecteur ISO (sortie d'enceinte)**
- ⑰ **Fil de sortie de l'enceinte arrière gauche (+) (Vert)**
- ⑱ **Fil de sortie de l'enceinte arrière gauche (-) (Vert/Noir)**
- ⑲ **Fil de sortie de l'enceinte avant gauche (+) (Blanc)**
- ⑳ **Fil de sortie de l'enceinte avant gauche (-) (Blanc/Noir)**
- ㉑ **Fil de sortie de l'enceinte avant droite (-) (Gris/Noir)**
- ㉒ **Fil de sortie de l'enceinte avant droite (+) (Gris)**
- ㉓ **Fil de sortie de l'enceinte arrière droite (-) (Violet/Noir)**
- ㉔ **Fil de sortie de l'enceinte arrière droite (+) (Violet)**
- ㉕ **Fil de sortie de la télécommande (Marron) (pour le lecteur de DVD DVE-5300)**
Raccordez-le au fil d'entrée de la télécommande. Ce fil produit les signaux de commande de la télécommande.
- ㉖ **Fil de sortie de la télécommande (Marron) (pour le moniteur arrière)**
Raccordez-le au fil d'entrée de la télécommande. Ce fil produit les signaux de commande de la télécommande.
- ㉗ **Fil d'entrée de la télécommande (Marron/Blanc)**
Raccordez l'appareil Alpine externe au fil de sortie de la télécommande.

②8 **Fil de sortie de la télécommande (Marron)**

Raccordez-le au fil d'entrée de la télécommande. Ce fil produit les signaux de commande de la télécommande.

②9 **Fil d'entrée de contrôle du DVD (Rouge/Blanc) (pour le lecteur de DVD DVE-5300)**

Raccordez le lecteur de DVD DVE-5300 au fil de sortie de la télécommande.

③0 **Connecteur d'interface de la télécommande au volant**

Raccordez-le au boîtier d'interface de la télécommande au volant.
Pour plus de détails sur les raccordements, adressez-vous à votre revendeur Alpine.

③1 **Connecteur d'entrée MIC**

Raccordez-le au microphone (Fournie).

- Lorsque vous utilisez le micro intégré, réglez *Sélection micro* sur « Add-on ». Pour plus d'informations, reportez-vous à la section « Réglage de la sélection du microphone » du *MODE D'EMPLOI (CD-ROM)*.

③2 **Connecteurs RCA du caisson de graves**

Le connecteur ROUGE correspond à l'enceinte droite et le BLANC à l'enceinte gauche.

③3 **Connecteurs RCA de sortie des enceintes avant**

Ils peuvent être utilisés comme connecteurs RCA de sortie des enceintes avant. Le connecteur ROUGE correspond à l'enceinte droite et le BLANC à l'enceinte gauche.

③4 **Connecteurs RCA de sortie des enceintes arrière**

Ils peuvent être utilisés comme connecteurs RCA de sortie des enceintes arrière. Le connecteur ROUGE correspond à l'enceinte droite et le BLANC à l'enceinte gauche.

③5 **Boîtier de l'antenne GPS**

Raccordez-le à l'antenne GPS (Fournie).

③6 **Connecteur CAN I/F**

③7 **Connecteur USB**

Raccordez-le à la clé USB, à l'iPod/iPhone ou au smartphone Android.

③8 **Connecteur d'entrée HDMI**

③9 **Connecteur de sortie HDMI**

④0 **Connecteur d'alimentation**

④1 **Connecteur W.REMOTE**

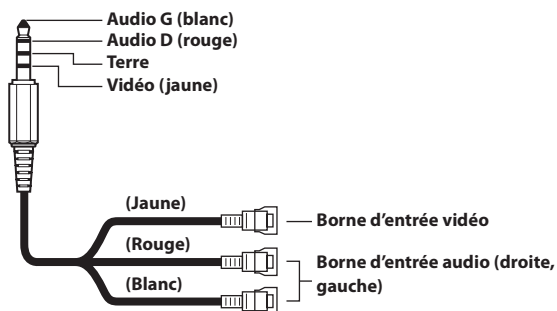
④2 **Connecteur PRE OUT**

④3 **Connecteur de l'antenne DAB**

Vers l'antenne DAB (vendu séparément).

Câble d'interface AV/RCA (mini-fiche AV à 4 pôles 3-RCA) utilisable

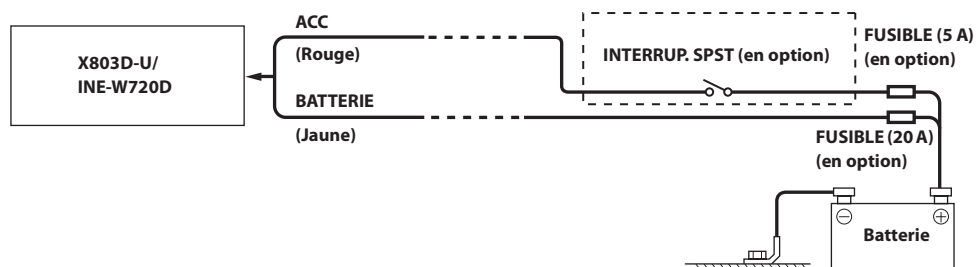
Les conventions de câblage de ce système sont les suivantes :



- Les mini-fiches AV à 4 pôles disponibles dans le commerce ne sont pas normalisées.

Si l'alimentation ACC n'est pas disponible

Schéma de raccordement de l'interrupteur SPST (vendu séparément)



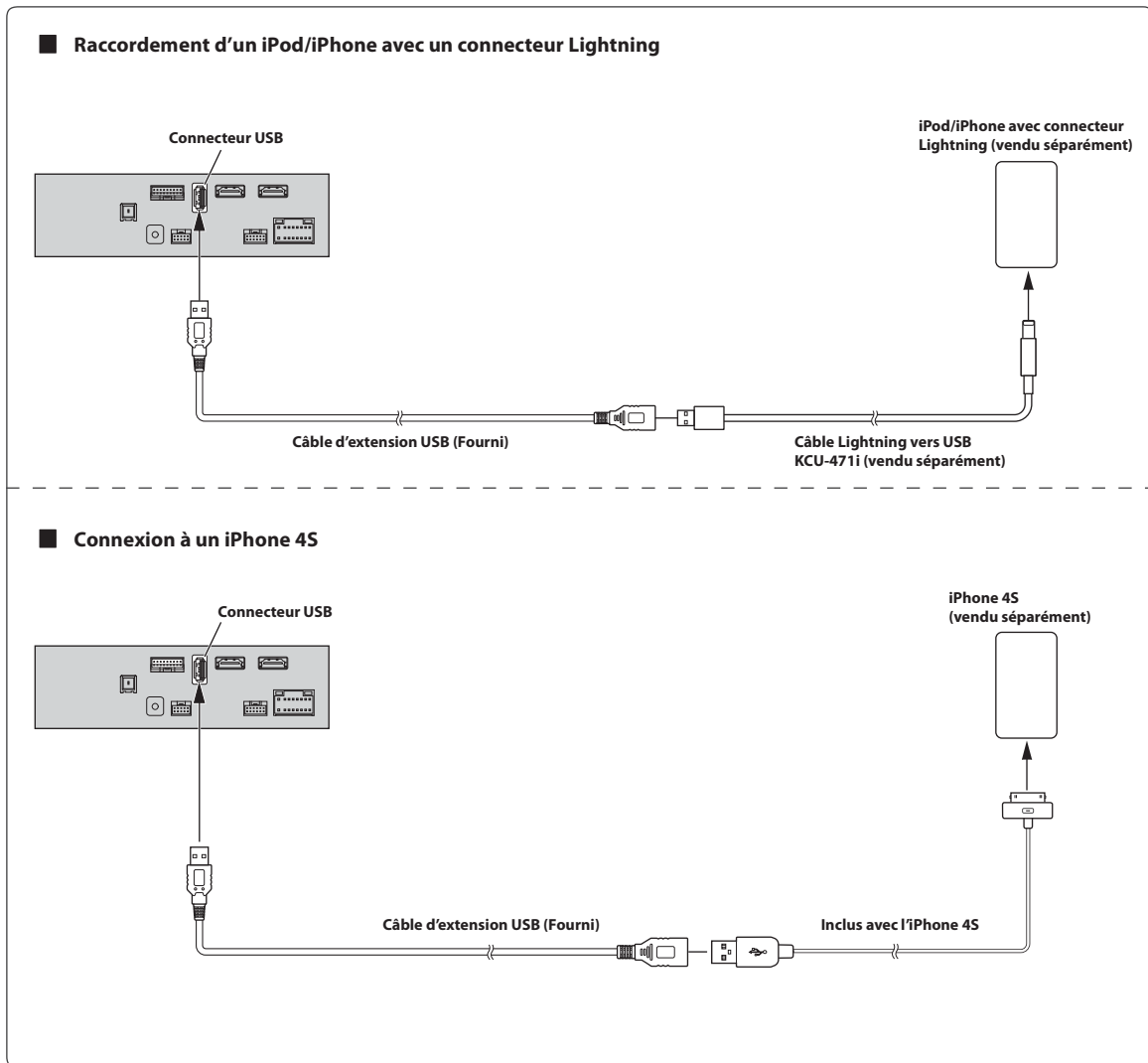
- Si votre véhicule est dépourvu d'alimentation ACC, installez un interrupteur SPST (Single-Pole, Single-Throw) (vendu séparément) et un fusible (vendu séparément).
- Le schéma et l'ampérage des fusibles indiqués ci-dessus s'appliquent lorsque le l'appareil est utilisé seul.
- Si le fil de l'alimentation commutée (allumage) de l'appareil est directement raccordé à la borne positive (+) de la batterie du véhicule, l'appareil véhicule un certain courant (plusieurs centaines de milliampères) même lorsqu'il est hors tension, ce qui risque de décharger la batterie.

Pour éviter la pénétration de bruits externes dans l'installation audio.

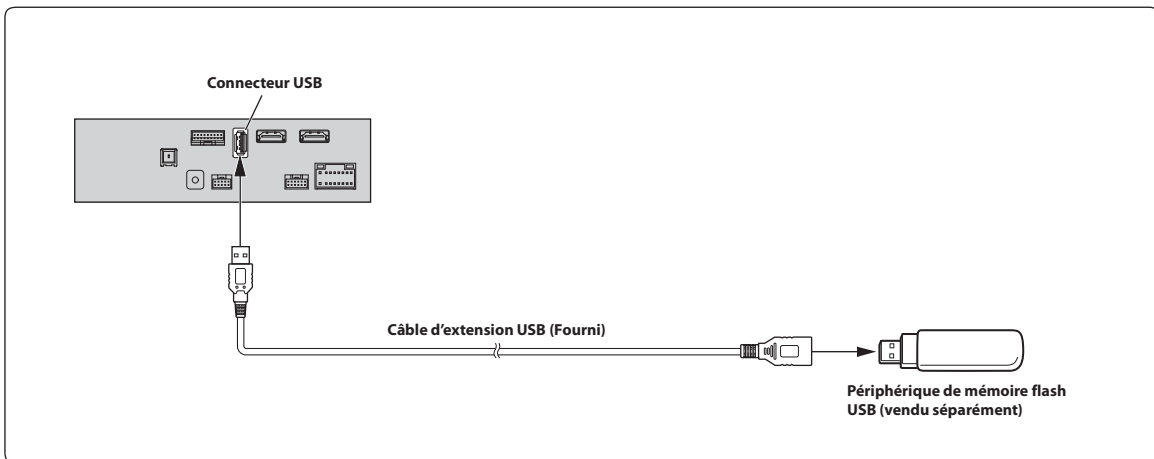
- Positionnez l'appareil et acheminez les fils en les éloignant de 10 cm au moins du faisceau du véhicule.
- Éloignez les fils d'alimentation de la batterie le plus possible des autres fils.
- Raccordez fermement le fil de terre à un élément métallique nu (si nécessaire, enlevez la peinture, les saletés ou la graisse) du châssis du véhicule.
- Si vous ajoutez un atténuateur de bruit en option, raccordez-le le plus loin possible de l'appareil. Votre revendeur Alpine peut vous proposer différents modèles d'atténuateur de bruit. Contactez-le pour obtenir de plus amples informations.
- Votre revendeur Alpine connaît parfaitement bien les mesures à prendre pour éviter les bruits. N'hésitez donc pas à le consulter.

Exemple de système

Raccordement d'un iPod/iPhone

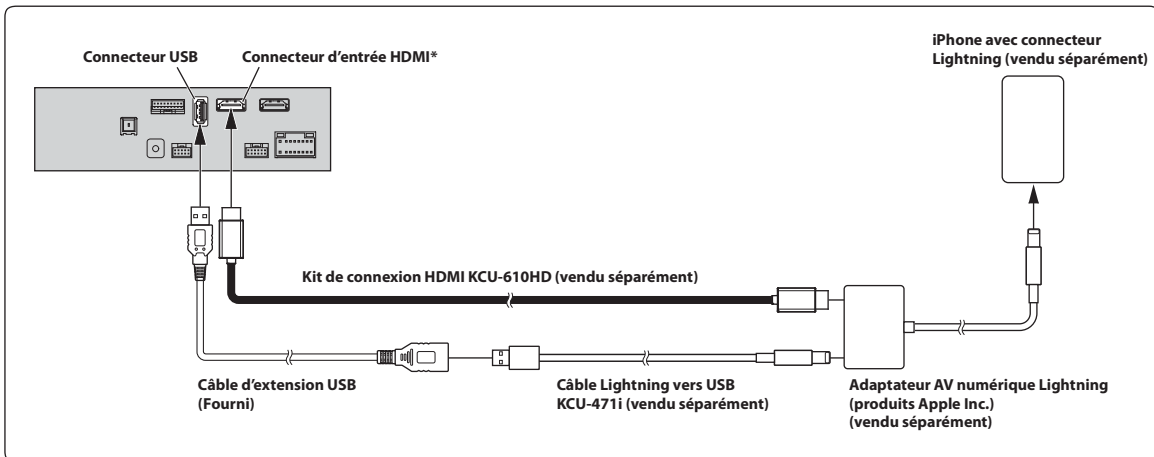


Raccordement d'un périphérique de mémoire flash



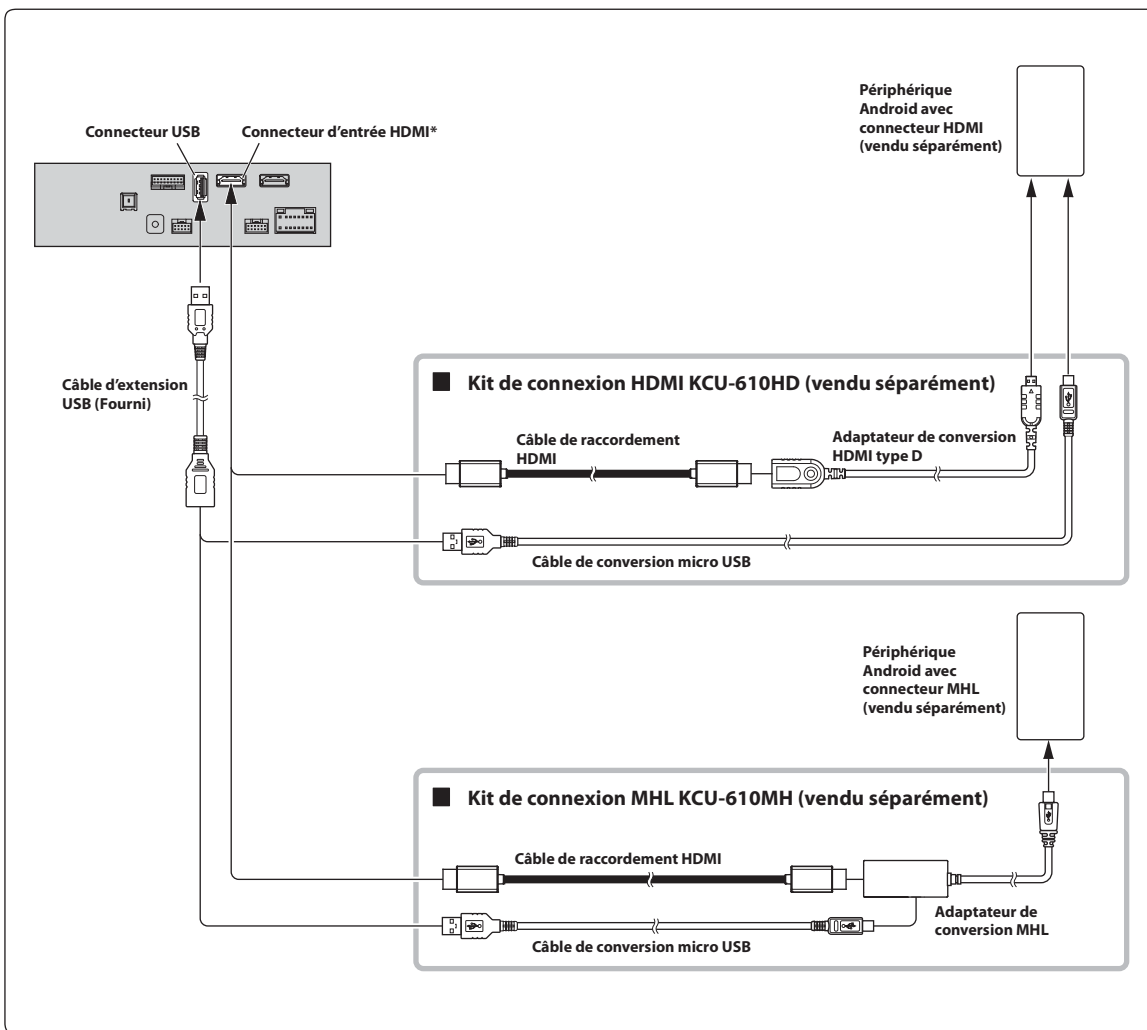
- *Ne laissez jamais un périphérique de mémoire flash dans un véhicule pendant une période prolongée. La chaleur et l'humidité peuvent endommager la mémoire flash.*

Raccordement d'un périphérique HDMI (iPhone doté d'un connecteur Lightning)



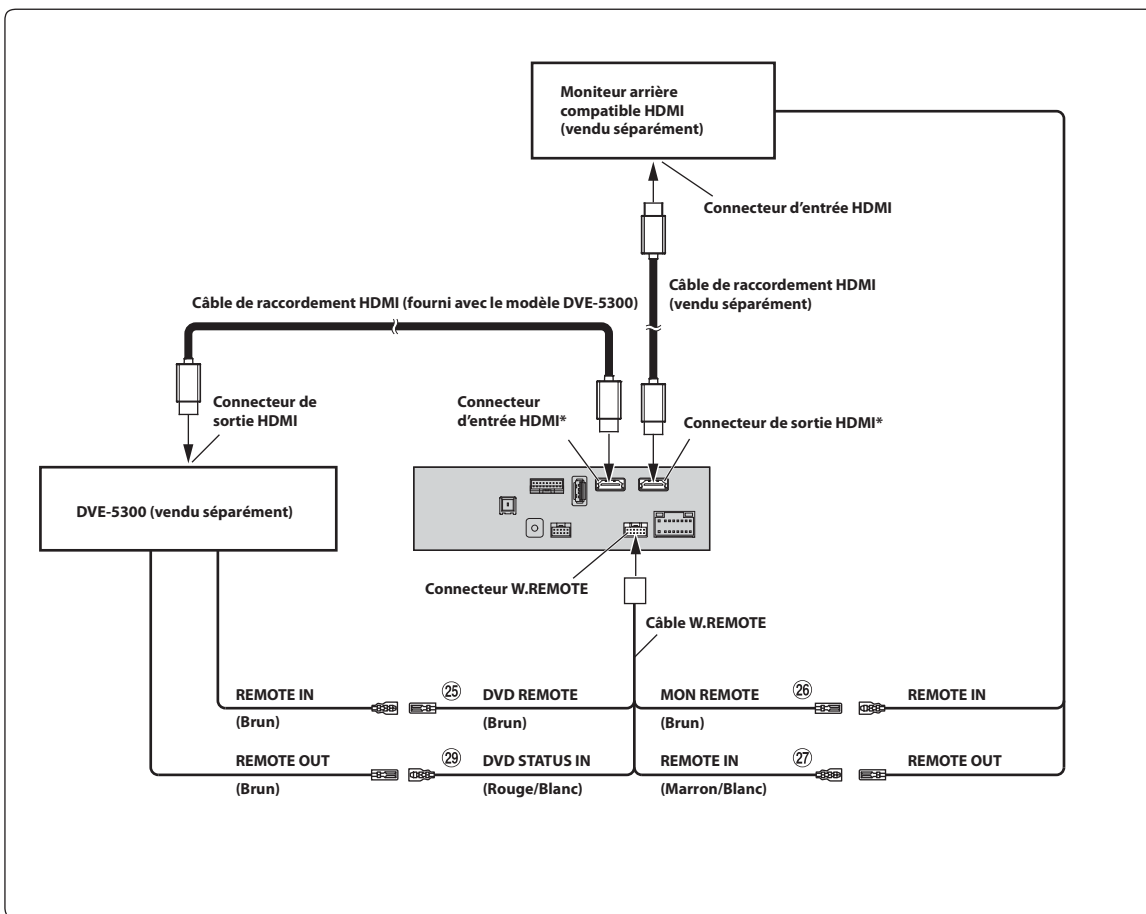
- * *Lorsque vous raccordez un câble de raccordement HDMI, veillez à la sécuriser à l'aide du support de fixation HDMI fourni. Pour plus de détails sur la façon de le sécuriser, reportez-vous à la section « Remarque concernant l'utilisation de câbles de raccordement HDMI » (page 4).*
- *Réglez Configuration HDMI sur « HDMI ». Pour plus d'informations, reportez-vous à la section « Réglages HDMI » du MODE D'EMPLOI (CD-ROM).*

Raccordement d'un périphérique HDMI (périphérique Android)



- Vous devez disposer d'un kit de connexion ou d'un kit d'adaptateur adapté au type de borne du périphérique de connexion.
 - Réglez Configuration HDMI sur « HDMI ». Pour plus d'informations, reportez-vous à la section « Réglages HDMI » du MODE D'EMPLOI (CD-ROM).
- * Lorsque vous raccordez un câble de raccordement HDMI, veillez à le sécuriser à l'aide du support de fixation HDMI fourni. Pour plus de détails sur la façon de le sécuriser, reportez-vous à la section « Remarque concernant l'utilisation de câbles de raccordement HDMI » (page 4).

Raccordement d'un appareil DVE-5300 et d'un moniteur arrière compatible HDMI



②⑤ Fil de sortie de la télécommande (Marron) (pour le lecteur de DVD DVE-5300)

②⑦ Fil d'entrée de la télécommande (Marron) (pour le moniteur arrière)

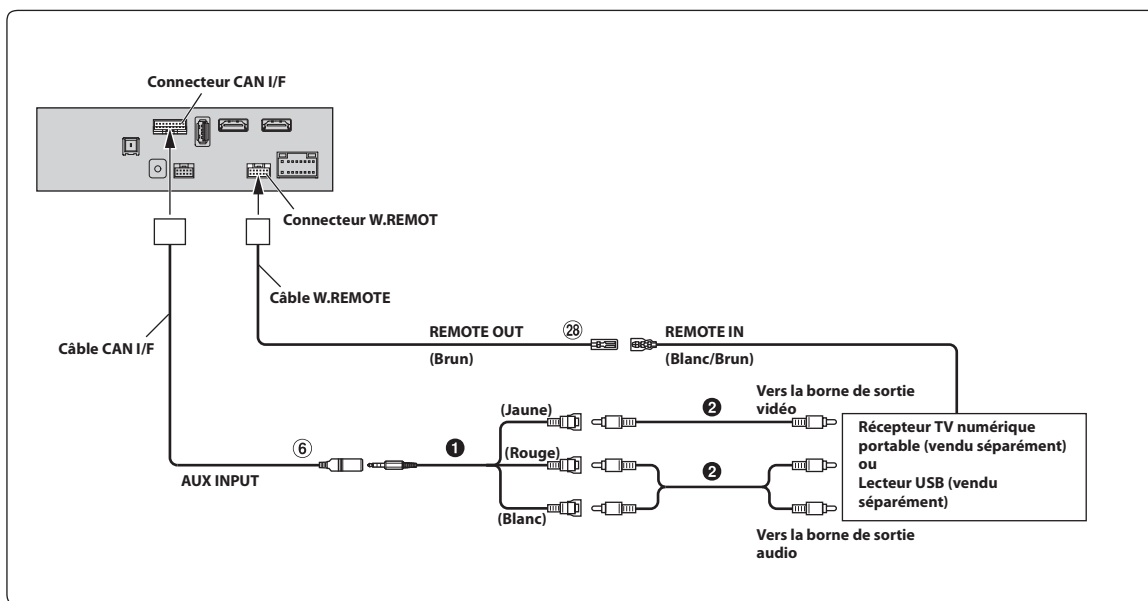
②⑥ Fil de sortie de la télécommande (Marron) (pour le moniteur arrière)

②⑨ Fil d'entrée de contrôle du DVD (Rouge/Blanc) (pour le lecteur de DVD DVE-5300)

* Lorsque vous raccordez un câble de raccordement HDMI, veillez à le sécuriser à l'aide du support de fixation HDMI fourni. Pour plus de détails sur la façon de le sécuriser, reportez-vous à la section « Remarque concernant l'utilisation de câbles de raccordement HDMI » (page 4).

• Réglez Configuration HDMI sur « DVD ». Pour plus d'informations, reportez-vous à la section « Réglages HDMI » du MODE D'EMPLOI (CD-ROM).

Raccordement d'un récepteur TV numérique portable ou d'un lecteur USB



⑥ Connecteur d'entrée AUX

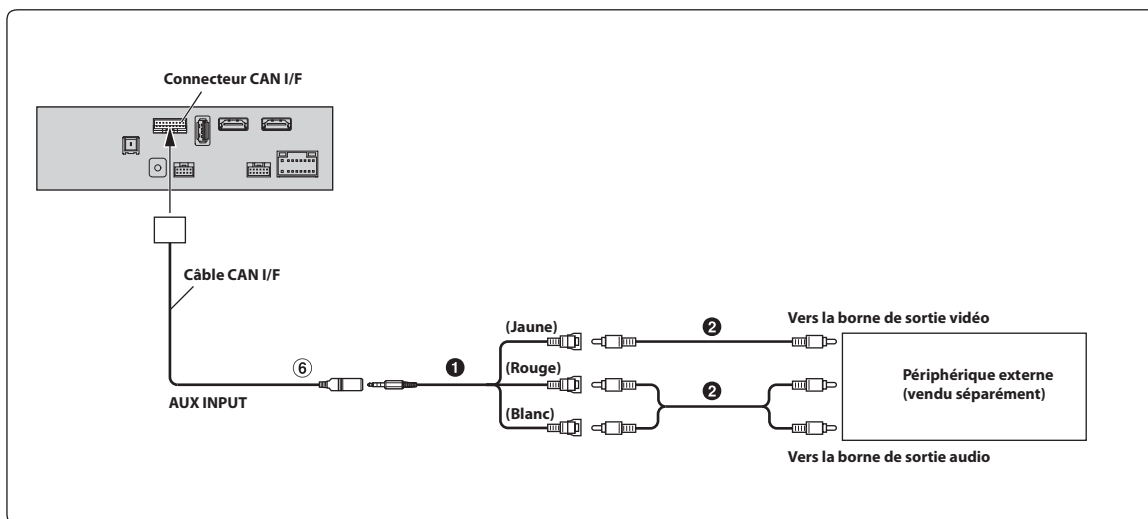
⑳ Fil de sortie de la télécommande (Marron)

① Câble d'interface AV/RCA (mini-fiche AV à 4 pôles 3-RCA) (vendu séparément)

② Câble d'extension RCA (vendu séparément)

- Pour plus d'informations sur l'utilisation d'un câble d'interface AV/RCA (mini-fiche AV à 4 pôles vers 3-RCA), voir « Câble d'interface AV/RCA (mini-fiche AV à 4 pôles 3-RCA) utilisable » (page 7).
- Réglez Nom AUX sur « DVB-T » ou sur « Lecteur USB ». Pour plus d'informations, reportez-vous à la section « Réglage du nom auxiliaire (AUX) secondaire » du MODE D'EMPLOI (CD-ROM).

Raccordement d'un périphérique externe



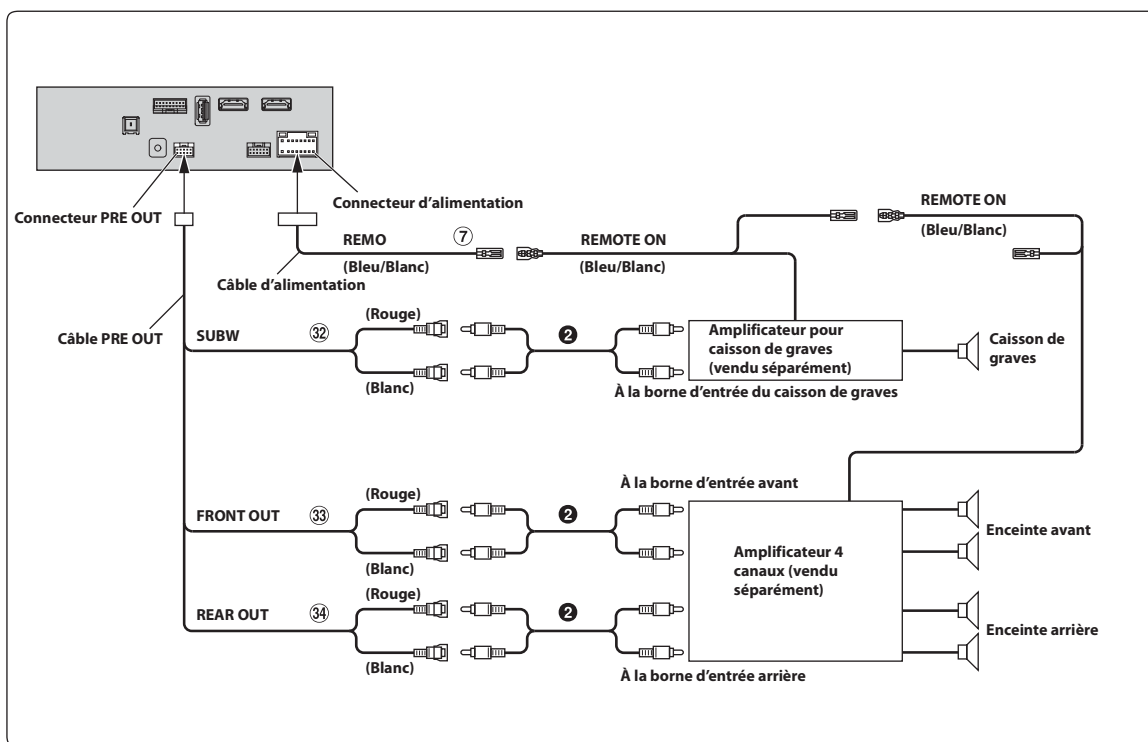
⑥ Connecteur d'entrée AUX

① Câble d'interface AV/RCA (mini-fiche AV à 4 pôles 3-RCA) (vendu séparément)

② Câble d'extension RCA (vendu séparément)

- Vous pouvez changer le nom du périphérique externe. Pour plus d'informations, reportez-vous à la section « Réglage du nom auxiliaire (AUX) secondaire » du MODE D'EMPLOI (CD-ROM).
- Pour plus d'informations sur l'utilisation d'un câble d'interface AV/RCA (mini-fiche AV à 4 pôles vers 3-RCA), voir « Câble d'interface AV/RCA (mini-fiche AV à 4 pôles 3-RCA) utilisable » (page 7).

Raccordement d'un amplificateur externe



⑦ Fil de mise sous tension à distance (Bleu/Blanc)

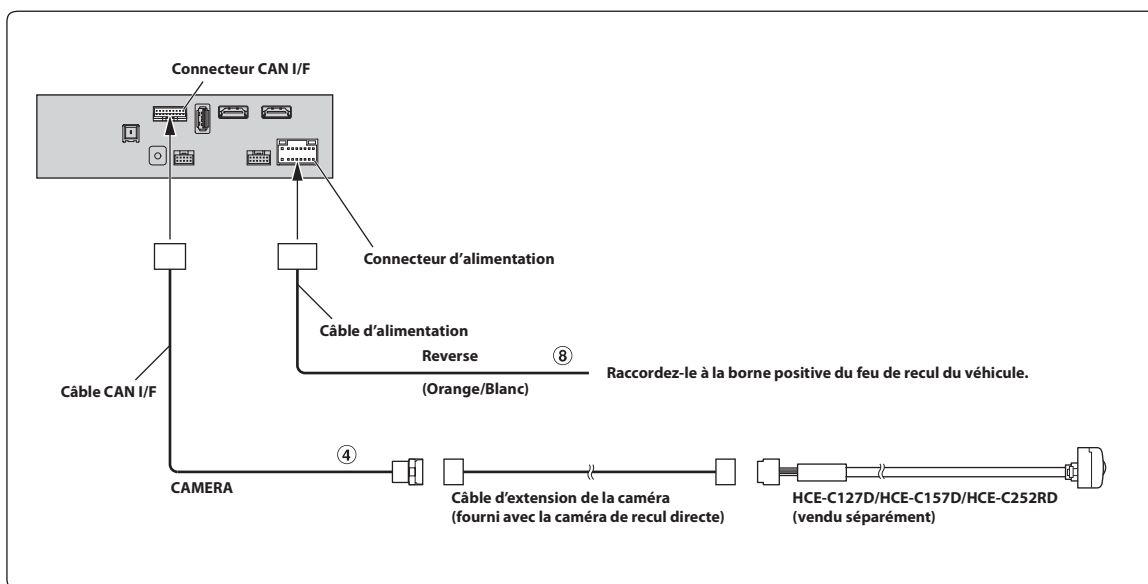
② Câble d'extension RCA (vendu séparément)

③② Connecteurs RCA du caisson de graves

③③ Connecteurs RCA de sortie des enceintes avant

③④ Connecteurs RCA de sortie des enceintes arrière

Raccordement d'une caméra de recul

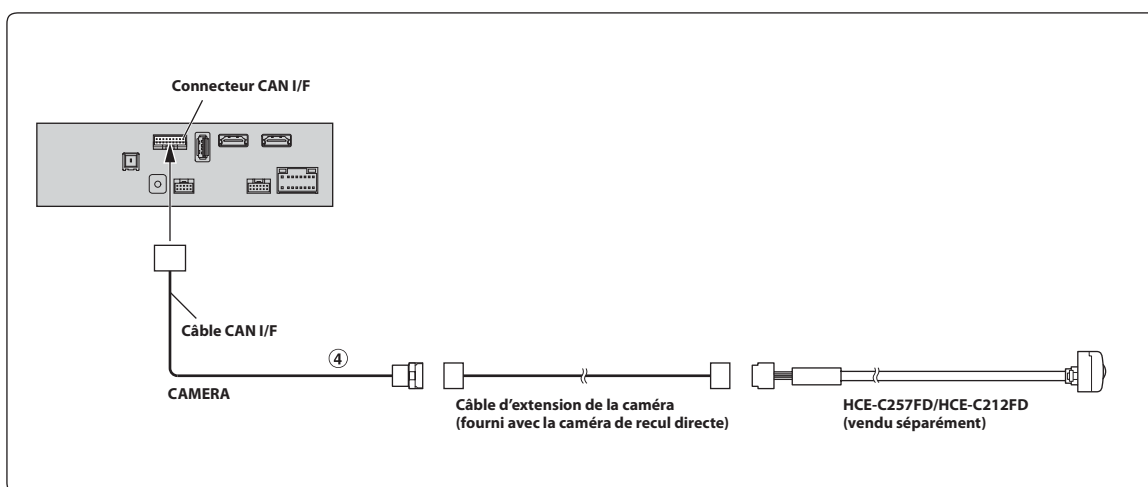


④ Connecteur d'entrée directe de la CAMERA

⑧ Fil de recul (Orange/Blanc)

- Réglez Sélection Caméra sur « Arrière ». Pour plus d'informations, reportez-vous à la section « Réglage de l'entrée de la caméra » du MODE D'EMPLOI (CD-ROM).

Raccordement d'une caméra frontale



④ Connecteur d'entrée directe de la CAMERA

- Réglez Sélection Caméra sur « Avant ». Pour plus d'informations, reportez-vous à la section « Réglage de l'entrée de la caméra » du MODE D'EMPLOI (CD-ROM).

Contenido

ADVERTENCIA	2
PRECAUCIÓN	2
Precauciones	3
Lista de accesorios	3
Instalación	3
Precaución relacionada con la ubicación de la instalación	3
Montaje de la antena GPS dentro del vehículo	3
Instalación del micrófono	4
Ejemplo de instalación con el soporte de montaje original	4
Conexiones	5
Si no hay disponible una fuente de alimentación ACC	8
Ejemplo de sistema	9



ADVERTENCIA

Este símbolo indica que las instrucciones son importantes. De no tenerse en cuenta, podría ocasionarse heridas graves o muerte.

NO DESMONTE NI ALTERE LA UNIDAD.

Si lo hace, podrá ocasionar un accidente, un incendio o una descarga eléctrica.

MANTENGA LOS OBJETOS PEQUEÑOS, COMO TORNILLOS, FUERA DEL ALCANCE DE LOS NIÑOS.

La ingestión de estos objetos puede provocar lesiones graves. Si esto ocurre, consulte con un médico inmediatamente.

UTILICE EL AMPERAJE CORRECTO CUANDO CAMBIE FUSIBLES.

De lo contrario, puede producirse un incendio o una descarga eléctrica.

NO OBSTRUYA LOS ORIFICIOS DE VENTILACIÓN O LOS PANELES DEL RADIADOR.

Si los bloquea, el calor podría acumularse en el interior y producir un incendio.

UTILICE ESTE PRODUCTO CON APLICACIONES MÓVILES DE 12 V.

Si se emplea para otra aplicación distinta de la prevista, podría producirse un incendio, una descarga eléctrica u otras lesiones.

REALICE LAS CONEXIONES CORRECTAMENTE.

Una conexión incorrecta puede producir un incendio o dañar el equipo.

UTILICE LA UNIDAD SOLAMENTE EN VEHÍCULOS QUE TENGAN 12 VOLTIOS CON NEGATIVO A MASA.

(Consulte a su distribuidor en caso de duda.) De no ser así, podría ocasionar un incendio, etc.

ANTES DE EFECTUAR EL CABLEADO, DESCONECTE EL CABLE DEL TERMINAL NEGATIVO DE LA BATERÍA.

De no hacerlo así, podría ocasionar una descarga eléctrica o heridas debido a cortocircuitos eléctricos.

IMPIDA QUE LOS CABLES SE ENREDEN CON LOS OBJETOS SITUADOS ALREDEDOR.

Disponga la instalación eléctrica y los cables conforme a lo descrito en el manual para evitar obstáculos durante la conducción. Los cables que obstaculizan la conducción o que cuelgan de partes del vehículo como el volante de dirección, la palanca de cambios, los pedales de freno, etc., se consideran extremadamente peligrosos.

NO EMPALME CABLES ELÉCTRICOS.

Nunca corte el aislamiento de un cable para suministrar energía a otro equipo. Esto hace que la capacidad portadora del cable se supere y puede ser la causa de incendios o descargas eléctricas.

EVITE DAÑAR LOS TUBOS Y EL CABLEADO CUANDO TALADRE AGUJEROS.

Si taladra agujeros en el chasis durante la instalación, tome las precauciones necesarias para no rozar, dañar u obstruir los tubos, las tuberías de combustible, los depósitos o el cableado eléctrico. De lo contrario, podría provocar un incendio.

NO UTILICE TUERCAS O PERNOS EN EL SISTEMA DE FRENOS O DE DIRECCIÓN PARA REALIZAR LAS CONEXIONES A MASA.

Los pernos o tuercas empleados en los sistemas de freno o de dirección (o en cualquier otro sistema relacionado con la seguridad del vehículo), o los depósitos, NUNCA deben utilizarse para instalaciones de cableado o conexión a masa. Si utiliza tales partes podrá incapacitar el control del vehículo y provocar un incendio, etc.

NO INSTALE EL EQUIPO EN LUGARES QUE PUEDAN INTERFERIR CON LA OPERACIÓN DEL VEHÍCULO, COMO EL VOLANTE DE DIRECCIÓN O LA CAJA DE CAMBIOS DE VELOCIDAD.

Esto podría obstaculizar la visibilidad y dificultar el movimiento, etc. y provocar accidentes graves.

NO INSTALE EL MONITOR CERCA DEL AIRBAG DEL ASIENTO DEL PASAJERO.

Si el aparato no está bien instalado, el airbag podrá no funcionar correctamente y, cuando se despliegue el airbag, podrá hacer que el monitor salga despedido hacia arriba y ocasionar un accidente y heridas.



PRECAUCIÓN

Este símbolo indica que las instrucciones son importantes. De no tenerse en cuenta, podría ocasionarse heridas graves o daños materiales.

CONFÍE EL CABLEADO Y LA INSTALACIÓN A PROFESIONALES.

El cableado y la instalación de este equipo requieren una competencia y experiencia técnica confirmada. Para garantizar la seguridad, póngase siempre en contacto con el distribuidor al que ha comprado el equipo para confiarle estas tareas.

UTILICE LOS ACCESORIOS ESPECIFICADOS E INSTÁLELOS CORRECTAMENTE.

Asegúrese de utilizar los accesorios especificados solamente. La utilización de otras piezas no designadas puede ser la causa de daños en el interior de la unidad o de una instalación incorrecta. Las piezas pueden aflojarse, lo que, además de ser peligroso, puede provocar averías.

DISPONGA EL CABLEADO DE FORMA QUE LOS CABLES NO SE DOBLEN, NO SE CONTRAIGAN NI ROCEN UN BORDE METÁLICO AFILADO.

Aleje los cables y el cableado de piezas móviles (como los raíles de los asientos) o de bordes puntiagudos o afilados. De esta forma evitará dobleces y daños en el cableado. Si los cables se introducen por un orificio de metal, utilice una arandela de goma para evitar que el borde metálico del orificio corte el aislamiento del cable.

NO INSTALE LA UNIDAD EN LUGARES MUY HÚMEDOS O LLENOS DE POLVO.

Evite instalar la unidad en lugares con altos índices de humedad o polvo. Si entra polvo o humedad, el equipo puede averiarse.

Precauciones

- Asegúrese de desconectar el cable del borne negativo (-) de la batería antes de instalar la unidad. Esto reducirá cualquier posibilidad de dañar la unidad en caso de un cortocircuito.
- Asegúrese de conectar los cables codificados con colores de acuerdo con el diagrama. Las conexiones incorrectas podrán ocasionar un mal funcionamiento de la unidad o dañar el sistema eléctrico del vehículo.
- Cuando haga las conexiones al sistema eléctrico del vehículo, tenga en cuenta los componentes instalados en fábrica (por ejemplo, el ordenador de a bordo). No coja corriente de estos conductores para alimentar esta unidad. Cuando conecte la unidad a la caja de fusibles, asegúrese de que el fusible del circuito que piensa utilizar para la unidad tiene el amperaje adecuado. Cuando no esté seguro, consulte a su distribuidor Alpine.
- La unidad utiliza tomas tipo RCA hembras para la conexión a otras unidades (p.ej., amplificador) dotadas de conectores RCA. Es posible que necesite un adaptador para conectar otras unidades. En ese caso, póngase en contacto con su distribuidor Alpine autorizado para que le aconseje.
- Asegúrese de conectar los cables (-) de altavoz al terminal (-) de altavoz. No conecte nunca entre sí los cables de altavoz de los canales izquierdo y derecho ni a la carrocería del vehículo.

Lista de accesorios

• X803D-U o INE-W720D	1
• Cable de alimentación	1
• Antena GPS.....	1
• Placa de montaje de antena.....	1
• Fijación del cable para antena.....	1 ejemplar
• Prolongador USB	1
• Cable PRE OUT	1
• Micrófono.....	1
• Cable CAN I/F.....	1
• Cable W.REMOTE	1
• Placa frontal (solo INE-W720D)	1
• Soporte de fijación HDMI.....	1
• Tornillo de cabeza embutida (M5x8).....	4
• Tornillo (M5x8).....	4
• Manual de operación.....	1 ejemplar

Instalación

Usuarios del X803D-U

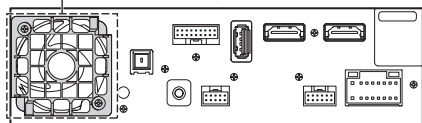
Para instalar el X803D-U, consulte el manual del kit de instalación adquirido por separado para cada tipo de vehículo.

Precaución

No bloquee el ventilador de la unidad, ya que impediría la circulación de aire. Si dichos elementos están bloqueados, el calor se acumulará dentro de la unidad y ello puede provocar un incendio.

<ejemplo>

Orificio de ventilación

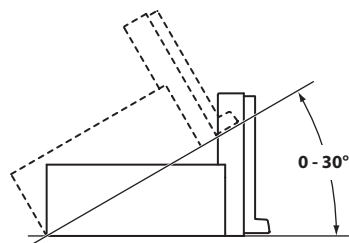


Parte trasera de la unidad

Precaución relacionada con la ubicación de la instalación

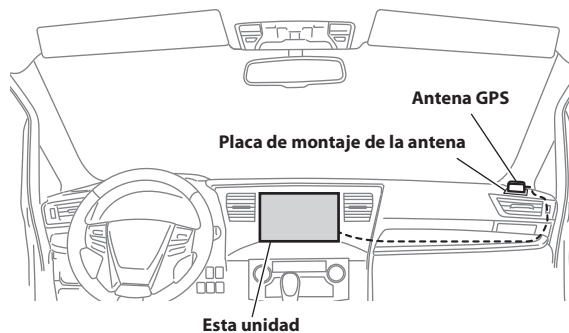
Ángulo de instalación

Instalar en un ángulo que se encuentre entre horizontal y 30°. Tenga en cuenta que si instala en un ángulo fuera de este rango, podría provocar la pérdida de rendimiento y causar posibles daños.



Montaje de la antena GPS dentro del vehículo

- 1 Limpie la ubicación de montaje.
- 2 Coloque la placa de montaje de la antena GPS.
- 3 Monte la antena GPS.



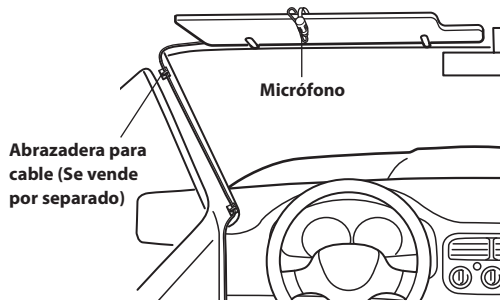
- No monte la antena GPS en el interior de la consola central.
 - Monte la antena GPS en una superficie plana del salpicadero o de la bandeja trasera.
 - Asegúrese de que la antena GPS no queda cubierta (obstruida) con ningún objeto o superficie metálica.
- Si la antena GPS se monta cerca de la unidad, la recepción se ve deteriorada y es posible que no se visualice correctamente la posición de su vehículo.
 - Monte la antena GPS lo suficientemente lejos de la unidad.
 - Saque el cable de la antena GPS desde la parte trasera de la unidad.
- Es posible que ciertos tipos de cristales de reflexión o absorción térmica produzcan interrupciones en las ondas de alta frecuencia. Si la recepción no es buena con la antena instalada dentro del vehículo, intente montar la antena en el exterior.

Instalación del micrófono

Para un uso seguro, asegúrese de cumplir con lo siguiente:

- La ubicación debe ser estable y firme.
- La vista del conductor y las operaciones no pueden quedar obstruidas.
- El micrófono debe estar colocado en un lugar que permita capturar fácilmente la voz del conductor (por ejemplo, en la visera).

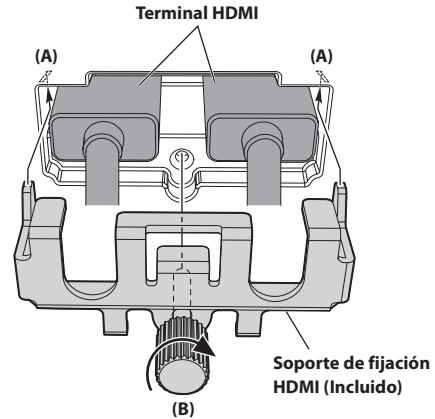
Cuando hable en el micrófono, no debe de cambiar su postura de conducción. De lo contrario podría distraerle, desviando su atención de la conducción segura de su vehículo. Considere cuidadosamente la dirección y la distancia al instalar el micrófono. Confirme que la voz del conductor sea captada fácilmente en la ubicación seleccionada.



Nota acerca del uso de cables de conexión HDMI

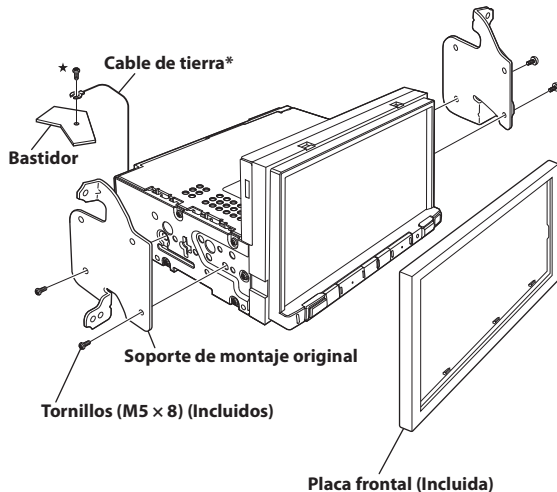
Cuando utilice cables de conexión HDMI, fije los cables a los terminales HDMI con el soporte de fijación HDMI suministrado.

- 1 Deslice el soporte de fijación HDMI en las ranuras (A).
- 2 Fije el soporte con el tornillo (B).



Ejemplo de instalación con el soporte de montaje original

- 1 Monte el soporte de montaje original en la unidad con ayuda de los tornillos suministrados.

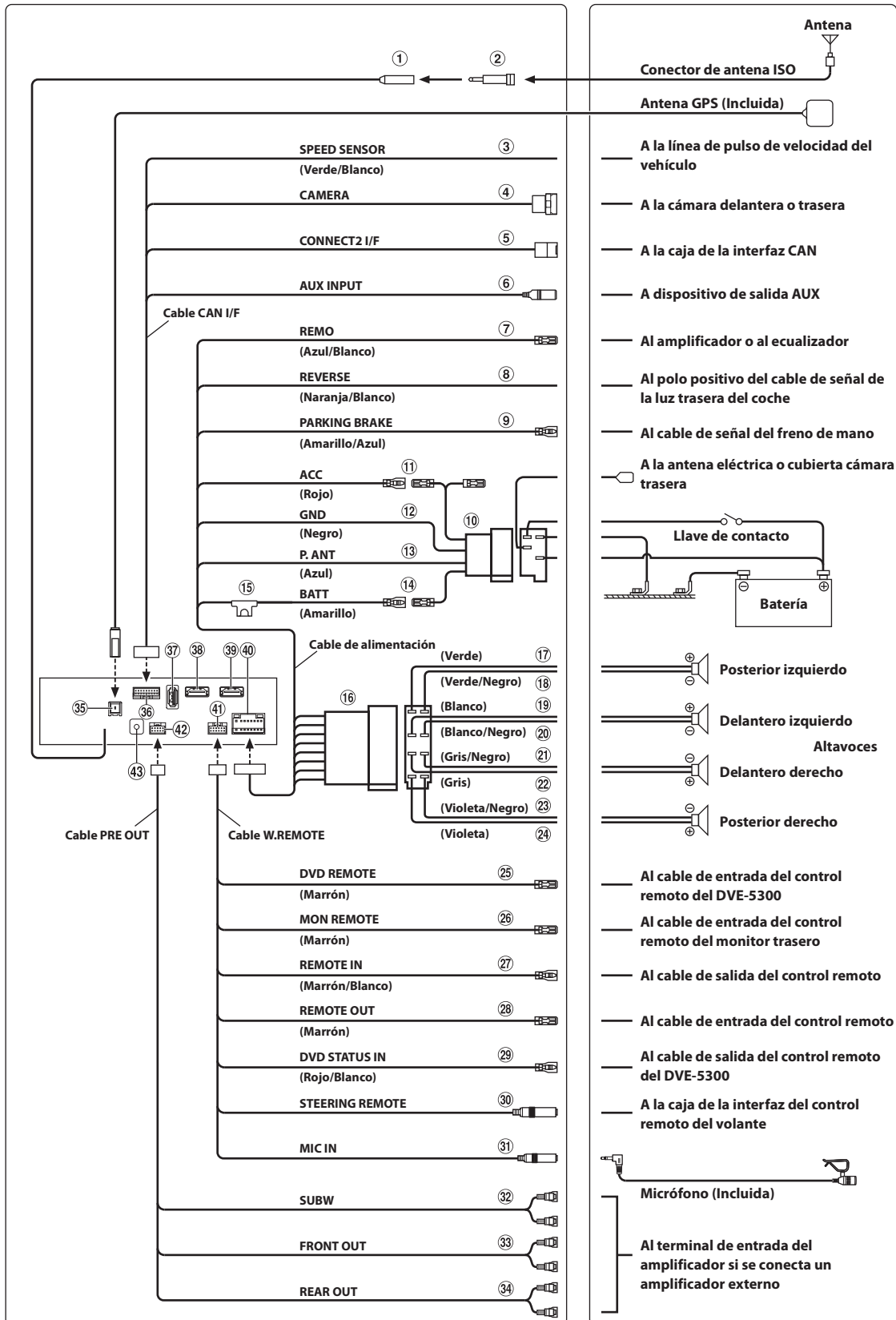


* Para conectar de forma segura el cable de tierra, utilice un tornillo ya instalado en la parte metálica del vehículo (marcado con (★)) o en un lugar metálico descubierto del chasis del vehículo.

- 2 Conecte todos los demás cables de la unidad siguiendo las indicaciones de la sección "Conexiones" (página 5).
- 3 Montaje de la unidad en un vehículo.

- Fije los cables con cuidado. No dañe los cables doblándolos en zonas como los raíles de los asientos o cerca de bordes afilados y con salientes.

Conexiones

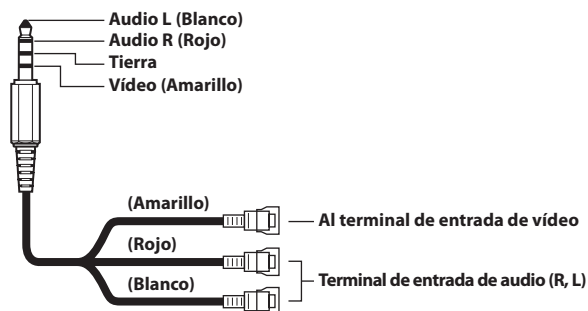


- ① **Receptáculo de la antena de la radio**
- ② **Adaptador de antena ISO/JASO (vendido por separado)**
Es posible que no se necesite el adaptador de antena ISO/JASO, dependiendo del vehículo.
- ③ **Cable de sensor de velocidad (Verde/Blanco)**
La conexión incorrecta de la línea de pulso de velocidad puede causar errores en importantes funciones de seguridad del vehículo (como los frenos o airbags). Estos fallos podrían producir un accidente e incluso la pérdida de vidas humanas. Recomendamos encarecidamente que la instalación de la unidad corra a cargo de un distribuidor autorizado de Alpine y con experiencia.
- ④ **Conector de entrada directo CAMERA**
Utilice esta opción si la cámara directa opcional está conectada.
- ⑤ **Conector de interfaz CAN**
A la caja de la interfaz CAN
- ⑥ **Conector de entrada AUX**
Cable de entrada para señal de vídeo/audio AUX.
 - *Es necesario un cable de interfaz AV/RCA que se vende aparte (conector AV mini de 4 polos a 3-RCA). Para obtener más información sobre el uso de un cable de interfaz AV/RCA (clavija AV mini de 4 contactos a 3-RCA), consulte "Cable de interfaz AV/RCA (clavija AV mini de 4 contactos a 3-RCA)" (página 7).*
- ⑦ **Cable de conexión remota (Azul/Blanco)**
Conecte este cable al cable del control remoto del amplificador o del procesador de señal.
- ⑧ **Cable de la marcha atrás (Naranja/Blanco)**
Conéctelo al polo positivo de las luces de marcha atrás del coche. Estas luces se iluminan cuando se pone la marcha atrás (R).
Si este cable está correctamente conectado, la imagen de vídeo cambia automáticamente a la cámara de visión trasera siempre que el coche circule marcha atrás (R).
- ⑨ **Cable del freno de mano (Amarillo/Azul)**
Conecte este cable al extremo de alimentación del interruptor del freno de mano para transmitir las señales de estado del freno de mano a la unidad.
- ⑩ **Conector de alimentación eléctrica ISO**
- ⑪ **Cable de alimentación con interruptor (Contacto) (Rojo)**
Conecte este cable a un terminal abierto de la caja de fusibles del vehículo o a otra fuente de alimentación no utilizada que genere una potencia de (+)12 V solo cuando el contacto esté encendido o en posición auxiliar.
- ⑫ **Cable de tierra (Negro)**
Conecte este cable a una buena toma de tierra del vehículo. Asegúrese de realizar la conexión solo en el metal y de que quede perfectamente sujeto utilizando el tornillo de chapa de metal incorporado.
- ⑬ **Cable para antena eléctrica (Azul)**
Si es necesario, conecte este cable al terminal +B de la antena eléctrica.
 - *Si la cámara de visión trasera de su vehículo está equipada con una cubierta eléctrica protectora, cambie el ajuste de la Cubierta cámara trasera a On y conecte este cable para dirigir el terminal +B de su cubierta cámara trasera.*
 - *Este cable solo debe utilizarse para controlar la antena del vehículo o la cubierta cámara trasera. No utilice este cable para encender un amplificador, un procesador de señales, etc.*
- ⑭ **Cable de la batería (Amarillo)**
Conecte este cable al borne positivo (+) de la batería del vehículo.
- ⑮ **Portafusible (15 A)**
- ⑯ **Conector ISO (Salida del altavoz)**
- ⑰ **Cable de salida de altavoz izquierdo trasero (+) (Verde)**
- ⑱ **Cable de salida del altavoz trasero izquierdo (-) (Verde/Negro)**
- ⑲ **Cable de salida de altavoz izquierdo delantero (+) (Blanco)**
- ⑳ **Cable de salida del altavoz delantero izquierdo (-) (Blanco/Negro)**
- ㉑ **Cable de salida del altavoz delantero derecho (-) (Gris/Negro)**
- ㉒ **Cable de salida del altavoz delantero derecho (+) (Gris)**
- ㉓ **Cable de salida del altavoz trasero derecho (-) (Violeta/Negro)**
- ㉔ **Cable de salida de altavoz derecho trasero (+) (Violeta)**
- ㉕ **Cable de salida del control remoto (Marrón) (Para reproductor de DVD DVE-5300)**
Conecte este cable al cable de entrada del control remoto. Este cable permite la salida de señales de control del control remoto.
- ㉖ **Cable de salida del control remoto (Marrón) (Para monitor trasero)**
Conecte este cable al cable de entrada del control remoto. Este cable permite la salida de señales de control del control remoto.
- ㉗ **Cable de entrada del control remoto (Marrón/Blanco)**
Conecte el producto Alpine externo al cable de salida del control remoto.

- ②8 **Cable de salida del control remoto (Marrón)**
Conecte este cable al cable de entrada del control remoto. Este cable permite la salida de señales de control del control remoto.
- ②9 **Cable de entrada de control de DVD (Rojo/Blanco) (Para reproductor de DVD DVE-5300)**
Conecte el reproductor de DVD DVE-5300 al cable de salida del control remoto.
- ③0 **Conector de la interfaz del control remoto del volante**
A la caja de la interfaz de control remoto del volante.
Para obtener más información sobre las conexiones, consulte a su distribuidor Alpine más cercano.
- ③1 **Conector de entrada MIC**
Al micrófono (Incluida)
- Cuando utilice el micrófono incluido, ajuste Selección de micrófono en "Add-on". Para obtener más información, consulte "Configuración de la selección del micrófono" en el MANUAL DE OPERACIÓN (CD-ROM).
- ③2 **Conectores RCA del subwoofer**
ROJO (derecha) y BLANCO (izquierda).
- ③3 **Conectores RCA de salida delanteros**
Se puede utilizar como conectores RCA delanteros de salida. ROJO (derecha) y BLANCO (izquierda).
- ③4 **Conectores RCA de salida traseros**
Se puede utilizar como conectores RCA traseros de salida. ROJO (derecha) y BLANCO (izquierda).
- ③5 **Receptáculo de la antena GPS**
Conectar a una antena de GPS (Incluida).
- ③6 **Conector CAN I/F**
- ③7 **Conector USB**
A la unidad flash USB, iPod/iPhone o smartphone Android.
- ③8 **Conector de entrada HDMI**
- ③9 **Conector de salida HDMI**
- ④0 **Conector de alimentación de energía**
- ④1 **Conector W.REMOTE**
- ④2 **Conector PRE OUT**
- ④3 **Conector de la antena DAB**
A la antena DAB (se vende por separado).

Cable de interfaz AV/RCA (clavija AV mini de 4 contactos a 3-RCA)

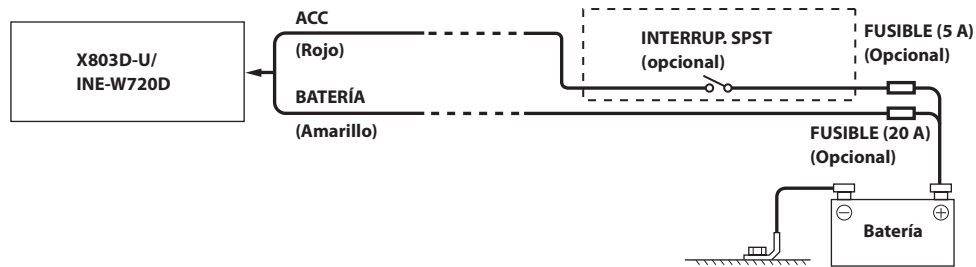
El esquema de cableado de este sistema es el siguiente:



- La configuración de los miniconectores AV de 4 polos disponibles en el mercado no está unificada.

Si no hay disponible una fuente de alimentación ACC

Diagrama de conexión del interruptor SPST (vendido por separado)



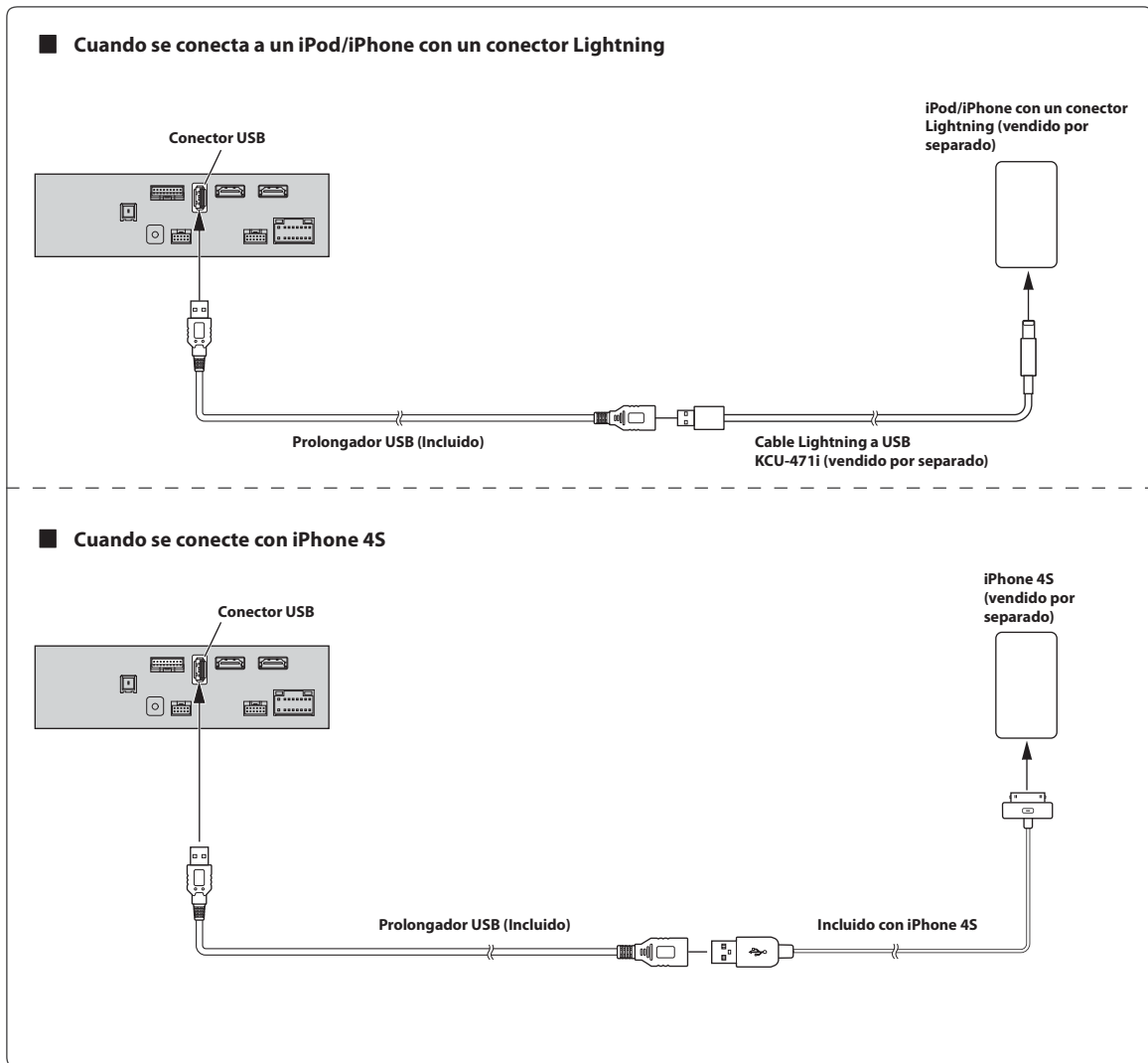
- Si su vehículo no tiene fuente de alimentación ACC, agregue un interruptor SPST (Single-Pole, Single-Throw) (vendido por separado) y un fusible (vendido por separado).
- El diagrama y el amperaje de los fusibles que se muestran arriba corresponden a los casos en los que la unidad se utiliza individualmente.
- Si el cable de alimentación conmutado (contacto) de la unidad se conecta directamente al borne positivo (+) de la batería del vehículo, la unidad absorbe parte de la corriente (unos cientos de miliamperios) incluso cuando el interruptor está apagado (posición OFF) y la batería podría descargarse.

Para evitar ruidos externos en el sistema de audio.

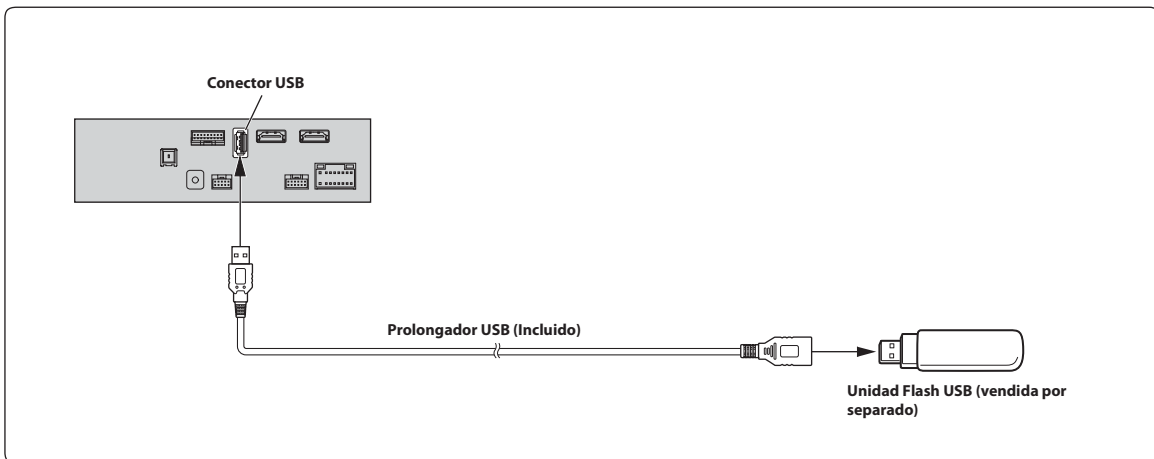
- Coloque la unidad y pase los cables a 10 cm por lo menos del conjunto de cables del automóvil.
- Mantenga los conductores de la batería lo más alejados posible de otros cables.
- Conecte el cable de tierra con seguridad a un punto metálico desnudo (si es necesario, elimine la pintura, suciedad o grasa) del chasis del automóvil.
- Si añade un supresor de ruido opcional, conéctelo lo más lejos posible de la unidad. Su proveedor Alpine ofrece distintos supresores de ruido; póngase en contacto con él para obtener más información.
- Su proveedor Alpine conoce la mejor forma de evitar el ruido. Solicítele más información.

Ejemplo de sistema

Conexión de un iPod/iPhone

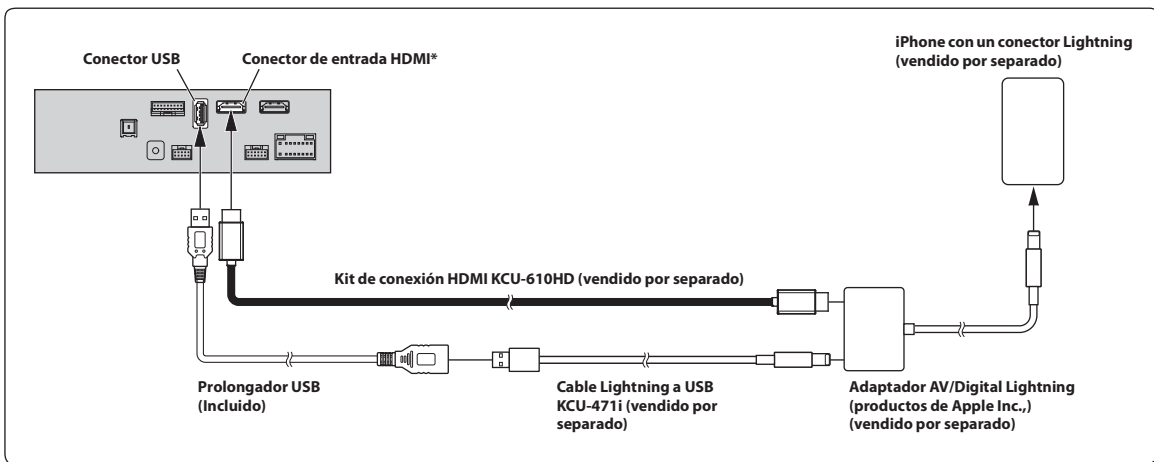


Conexión de una unidad Flash



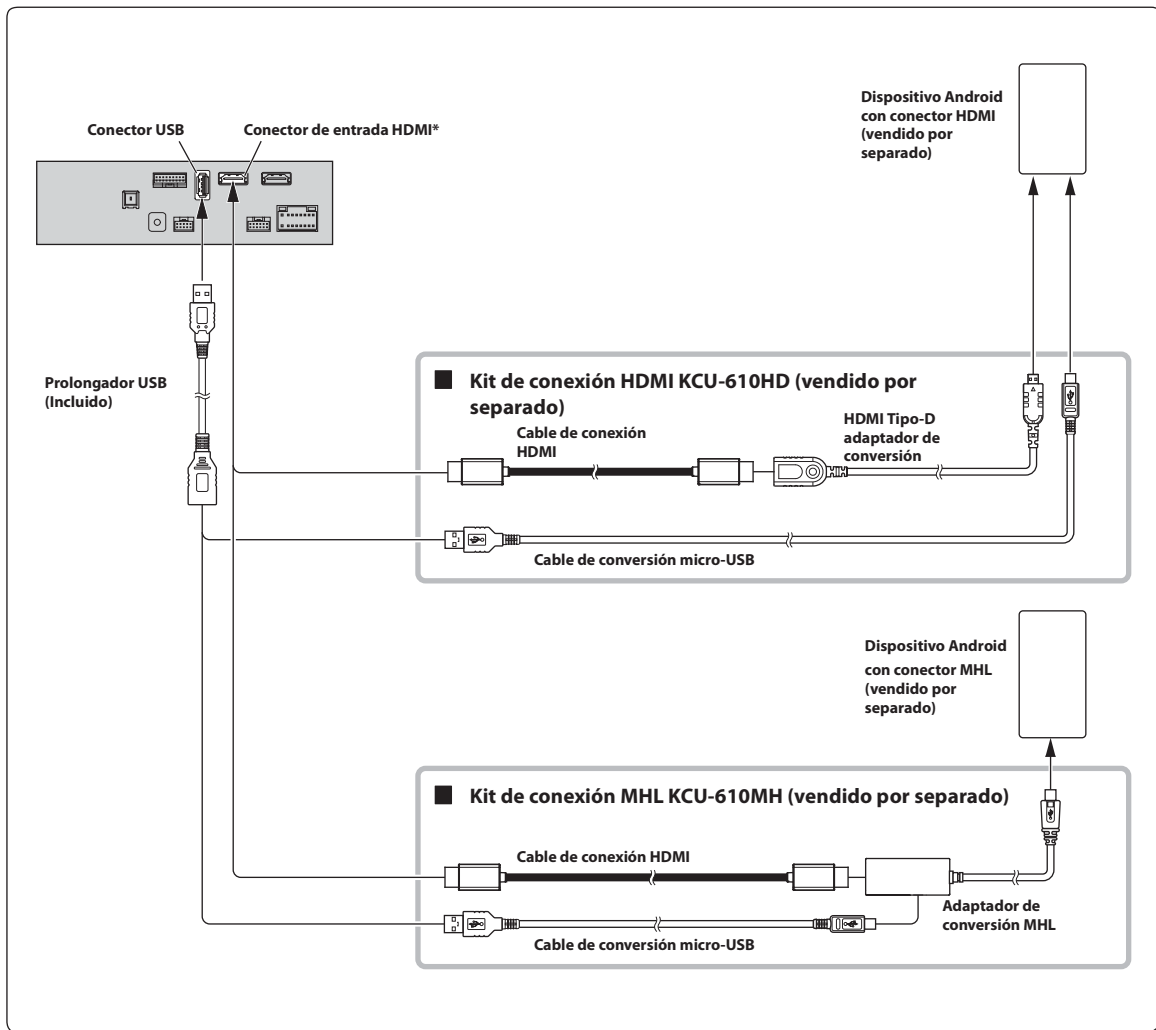
- No deje una unidad Flash en el interior de un vehículo durante largos períodos de tiempo. El calor y la humedad podrían dañar la unidad Flash.

Conexión de un dispositivo HDMI (iPhone con conector Lightning)



- * Cuando conecte un cable HDMI, asegúrese de fijarlo bien con el soporte de fijación HDMI suministrado. Para obtener más información sobre cómo fijarlo, consulte "Nota acerca del uso de cables de conexión HDMI" (página 4).
- Elija la opción "HDMI" en los ajustes HDMI. Para obtener más información, consulte "Ajustes de HDMI" en el MANUAL DE OPERACIÓN (CD-ROM).

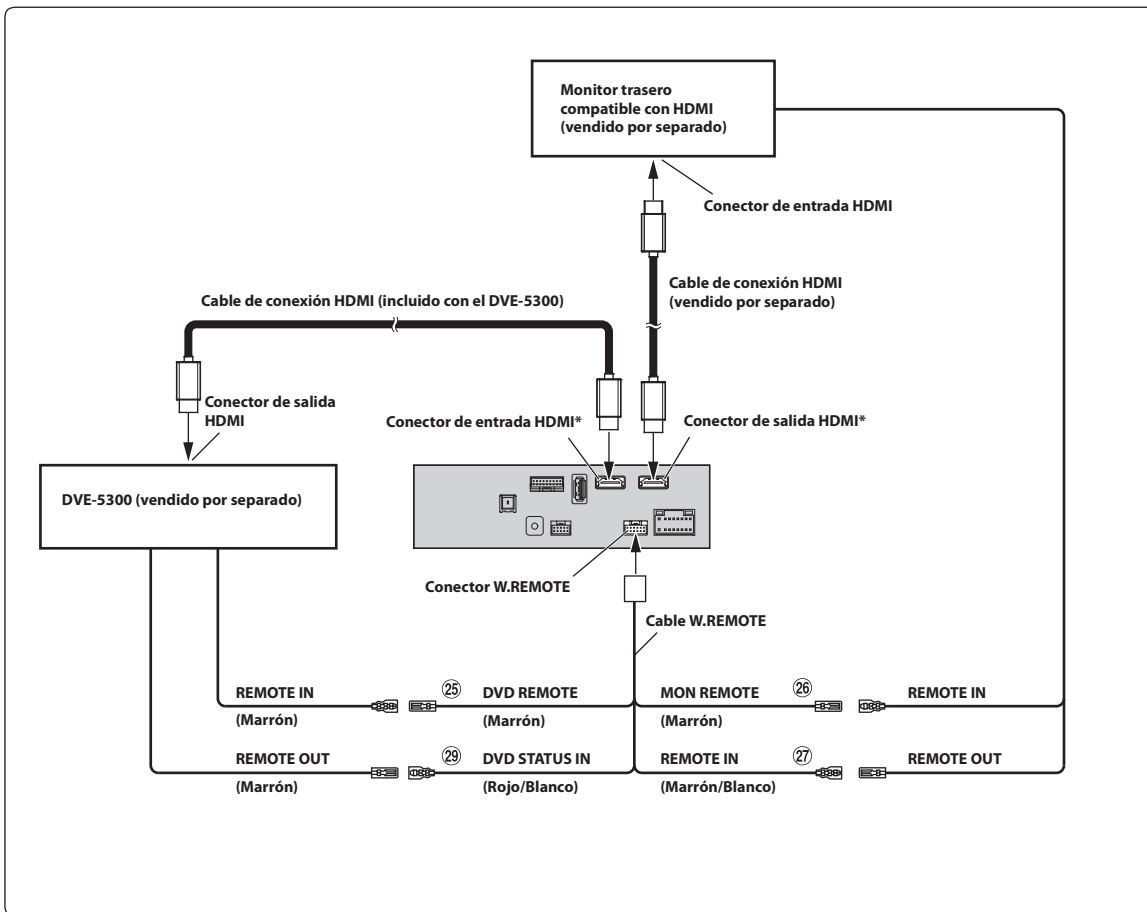
Conexión de un dispositivo HDMI (dispositivo Android)



- Es necesario un kit de conexión o kit de adaptador adecuado para el tipo de terminal del dispositivo de conexión.
- Elija la opción "HDMI" en los ajustes HDMI. Para obtener más información, consulte "Ajustes de HDMI" en el MANUAL DE OPERACIÓN (CD-ROM).

* Cuando conecte un cable HDMI, asegúrese de fijarlo bien con el soporte de fijación HDMI suministrado. Para obtener más información sobre cómo fijarlo, consulte "Nota acerca del uso de cables de conexión HDMI" (página 4).

Conexión de un DVE-5300 y un monitor trasero compatible con HDMI



②⑤ Cable de salida del control remoto (Marrón) (Para reproductor de DVD DVE-5300)

②⑦ Cable de entrada del control remoto (Marrón/Blanco) (Para monitor trasero)

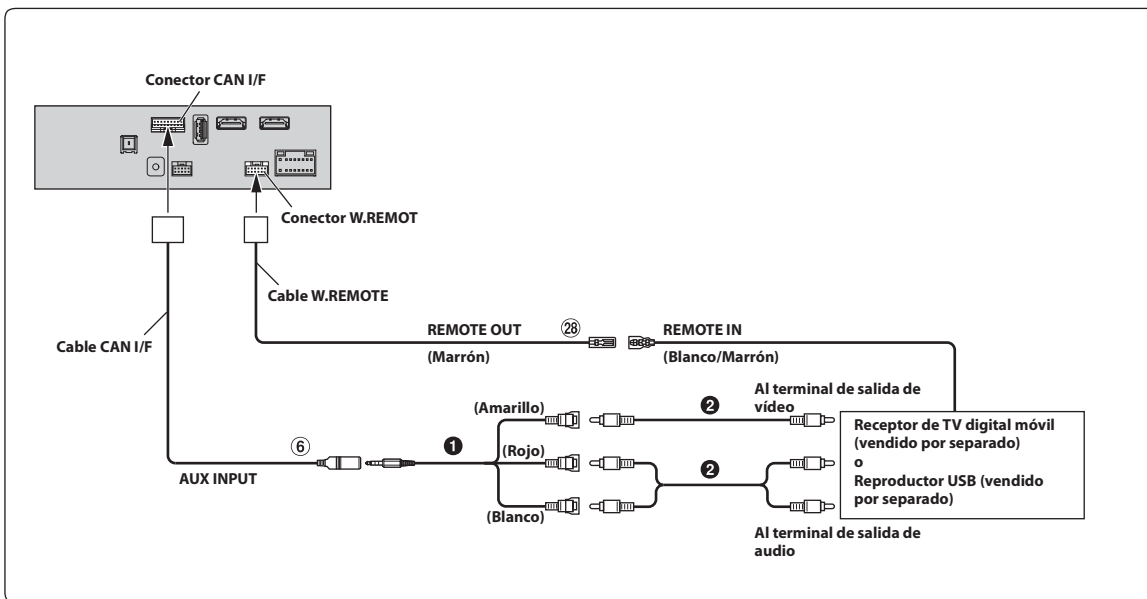
②⑥ Cable de salida del control remoto (Marrón) (Para monitor trasero)

②⑨ Cable de entrada de control de DVD (Rojo/Blanco) (Para reproductor de DVD DVE-5300)

* Cuando conecte un cable HDMI, asegúrese de fijarlo bien con el soporte de fijación HDMI suministrado. Para obtener más información sobre cómo fijarlo, consulte "Nota acerca del uso de cables de conexión HDMI" (página 4).

• Elija la opción "DVD" en los ajustes HDMI. Para obtener más información, consulte "Ajustes de HDMI" en el MANUAL DE OPERACIÓN (CD-ROM).

Conexión de un receptor de TV digital móvil o un reproductor USB



⑥ Conector de entrada AUX

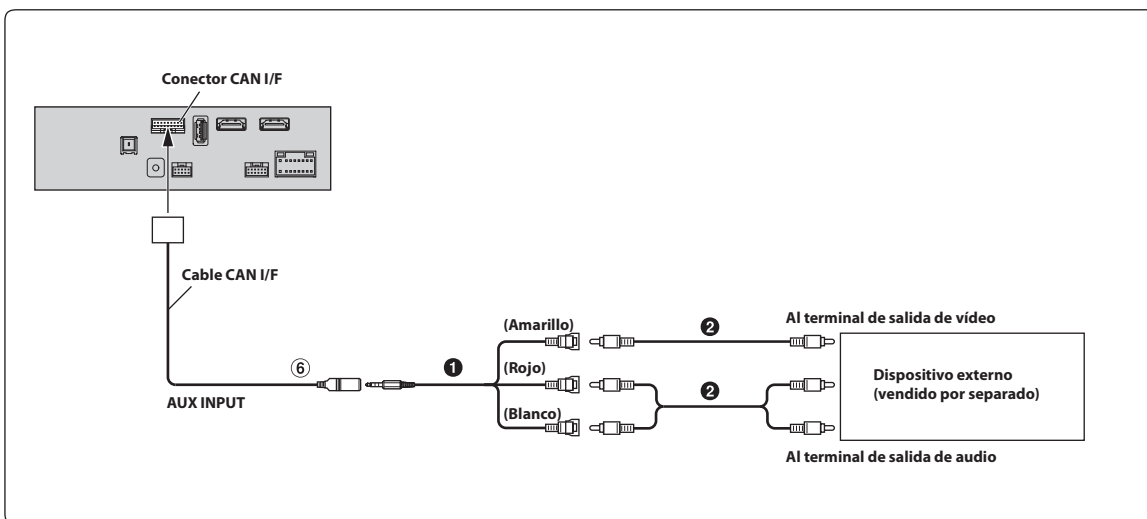
⑳ Cable de salida del control remoto (Marrón)

① Cable de interfaz AV/RCA (clavija AV mini de 4 contactos a 3-RCA) (se vende por separado)

② Prolongador eléctrico RCA (vendido por separado)

- Para obtener más información sobre el uso de un cable de interfaz AV/RCA (clavija AV mini de 4 contactos a 3-RCA), consulte "Cable de interfaz AV/RCA (clavija AV mini de 4 contactos a 3-RCA)" (página 7).
- Elija "DVB-T" o "Reproductor USB" como nombre de señal auxiliar. Para obtener más información, consulte "Configuración del nombre de la fuente auxiliar (Auxiliar)" en el MANUAL DE OPERACIÓN (CD-ROM).

Conexión de un dispositivo externo



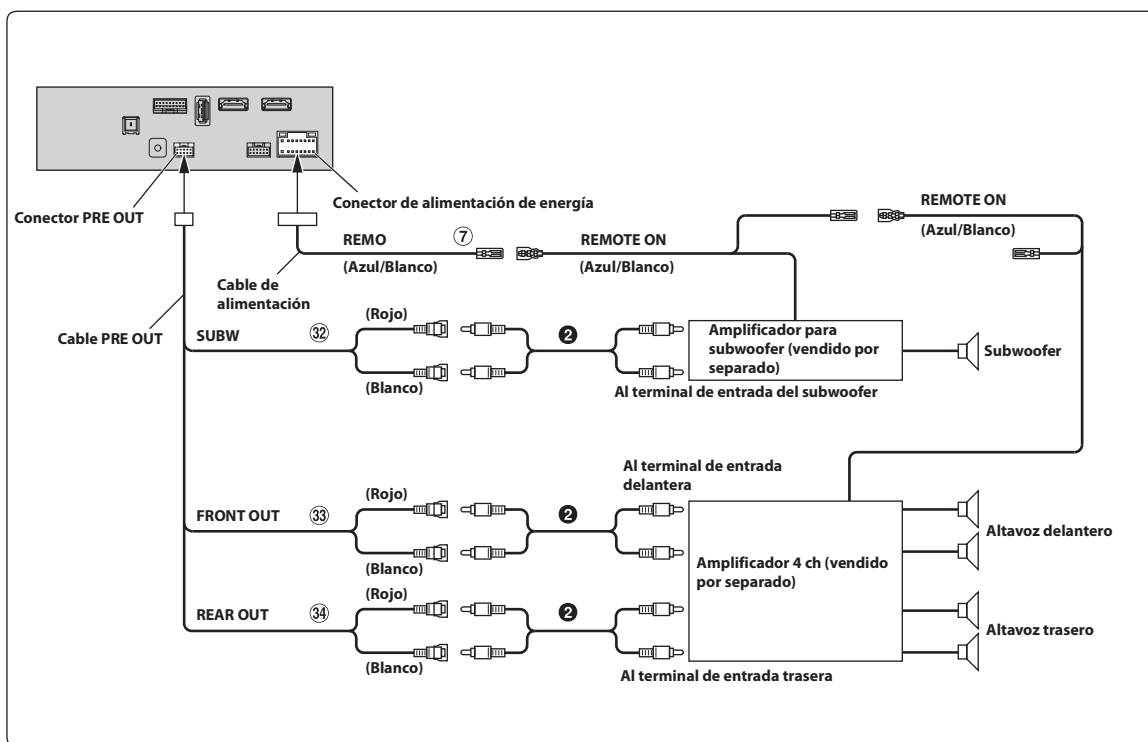
⑥ Conector de entrada AUX

① Cable de interfaz AV/RCA (clavija AV mini de 4 contactos a 3-RCA) (se vende por separado)

② Prolongador eléctrico RCA (vendido por separado)

- Puede cambiar el nombre de un dispositivo externo. Para obtener más información, consulte "Configuración del nombre de la fuente auxiliar (Auxiliar)" en el MANUAL DE OPERACIÓN (CD-ROM).
- Para obtener más información sobre el uso de un cable de interfaz AV/RCA (clavija AV mini de 4 contactos a 3-RCA), consulte "Cable de interfaz AV/RCA (clavija AV mini de 4 contactos a 3-RCA)" (página 7).

Conexión de un amplificador externo



⑦ Cable de conexión remota (Azul/Blanco)

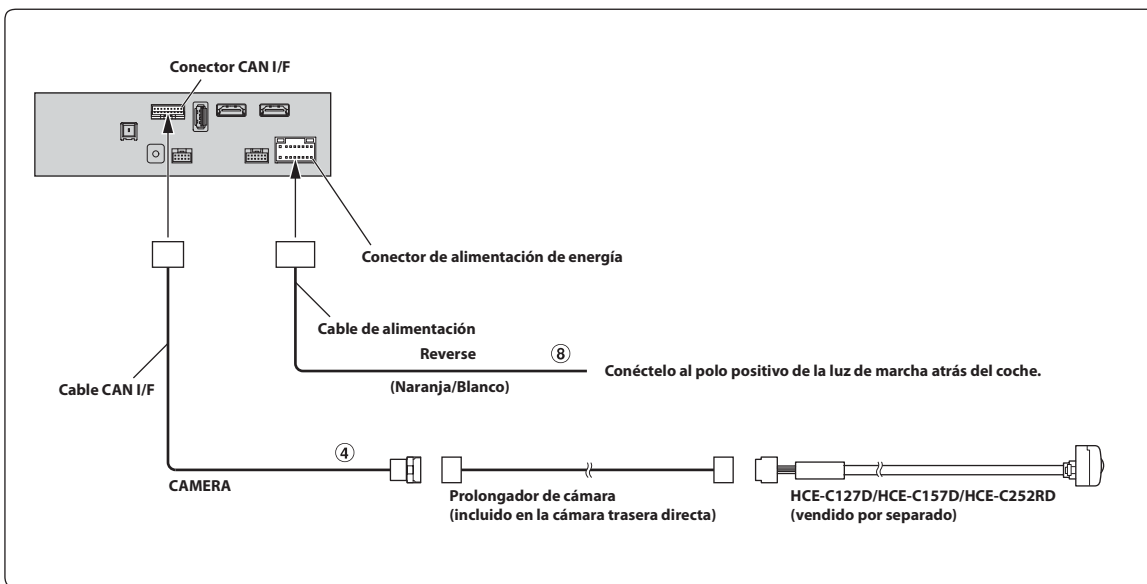
② Prolongador eléctrico RCA (vendido por separado)

③② Conectores RCA del subwoofer

③③ Conectores RCA de salida delanteros

③④ Conectores RCA de salida traseros

Conexión de una cámara trasera

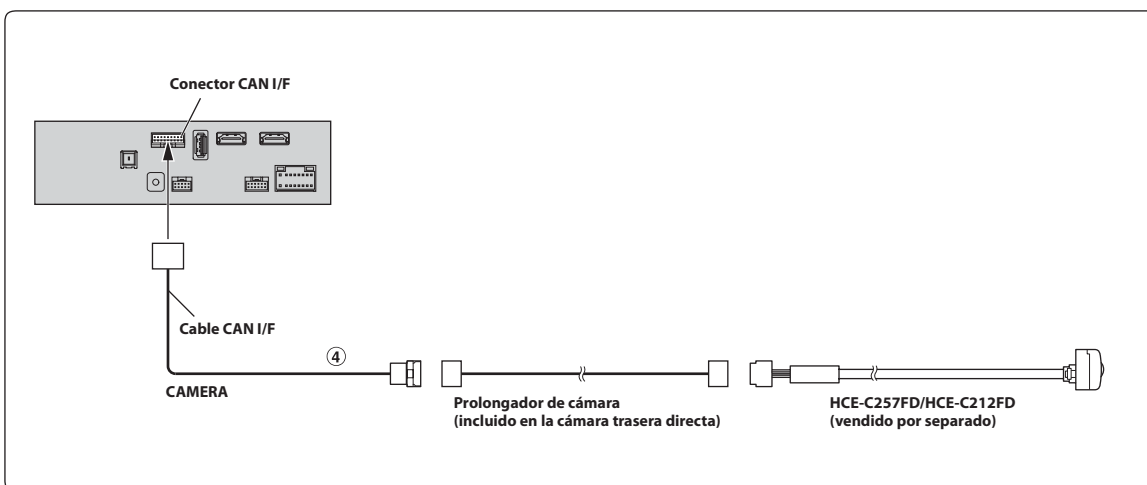


④ Conector de entrada directo CAMERA

⑧ Cable de la marcha atrás (Naranja/Blanco)

- Elija "Trasero" en la selección de la cámara. Para obtener más información, consulte "Configuración de la entrada de Cámara" en el MANUAL DE OPERACIÓN (CD-ROM).

Conexión de una cámara delantera



④ Conector de entrada directo CAMERA

- Elija "Delantero" en la selección de la cámara. Para obtener más información, consulte "Configuración de la entrada de Cámara" en el MANUAL DE OPERACIÓN (CD-ROM).

Indice

AVVERTIMENTO	2
ATTENZIONE	2
Precauzioni	3
Elenco accessori	3
Installazione	3
Precauzioni sulla posizione di installazione	3
Montaggio dell'antenna GPS all'interno del veicolo.	3
Installazione del microfono	4
Esempio di installazione utilizzando la staffa di montaggio originale	4
Collegamenti	5
Se l'alimentazione ACC non è disponibile	8
Esempio di sistema	9



AVVERTIMENTO

Questo simbolo indica istruzioni importanti. La non osservanza di tali norme potrebbe causare gravi ferite o morte.

NON SMONTARE O MODIFICARE.

Tale azione potrebbe causare incidenti, incendi o scosse elettriche.

TENERE LE PARTI PICCOLE QUALI VITI FUORI DALLA PORTATA DEI BAMBINI.

Se ingeriti potrebbero causare gravi danni. In caso di ingerimento, consultare immediatamente un medico.

USARE FUSIBILI DI RICAMBIO DELL'AMPERAGGIO CORRETTO.

Altrimenti potrebbero derivarne incendi o scosse elettriche.

NON BLOCCARE LE FESSURE O I PANNELLI DI IRRADIAZIONE.

Bloccandoli si potrebbe causare un surriscaldamento interno dell'apparecchio che potrebbe dare luogo a incendi.

UTILIZZARE IL PRODOTTO IN VEICOLI CON BATTERIA DA 12 V.

Un utilizzo diverso da quello indicato potrebbe causare incendi, scosse elettriche o altri incidenti.

ESEGUIRE CORRETTAMENTE I COLLEGAMENTI.

Altrimenti ne potrebbero derivarne incendi o danni al prodotto.

UTILIZZARE SOLO IN VEICOLI CON TERRA NEGATIVA A 12 VOLT.

(se non si è sicuri, controllare con il proprio rivenditore.). Diversamente si potrebbero causare incendi o altri danni.

PRIMA DI ESEGUIRE I COLLEGAMENTI, SCOLLEGARE IL CAVO DEL TERMINALE NEGATIVO DELLA BATTERIA.

Altrimenti potrebbero derivare scosse elettriche o altre lesioni dovute a cortocircuiti.

EVITARE CHE I CAVI SI IMPIGLINO AGLI OGGETTI CIRCOSTANTI.

Effettuare i collegamenti seguendo le istruzioni in modo che i cavi non interferiscano con la guida. I cavi o i fili che interferiscono o si impigliano in parti quali lo sterzo, la leva del cambio, i pedali, ecc. potrebbero essere pericolosi.

NON UTILIZZARE I CAVI PER EFFETTUARE ALTRI COLLEGAMENTI.

Non eliminare mai le parti isolanti dei cavi per alimentare altri apparecchi. Diversamente la capacità di trasporto di corrente del cavo in questione viene superata causando incendi o scosse elettriche.

NELL'EFFETTUARE I FORI, NON DANNEGGIARE I TUBI O I CAVI.

Nell'effettuare i fori nel telaio per l'installazione, fare attenzione a non entrare in contatto, danneggiare o ostruire i tubi, i condotti della benzina, i serbatoi o i cavi elettrici. La non osservanza di queste precauzioni potrebbe causare incendi.

PER ESEGUIRE I COLLEGAMENTI DI TERRA, NON UTILIZZARE BULLONI O DADI DEI SISTEMI DI FRENATA O DI STERZO.

Non utilizzare MAI bulloni o dadi dei sistemi di frenata e di sterzo (o di qualsiasi altro sistema di sicurezza), o dei serbatoi per eseguire l'installazione o per i collegamenti di terra. L'utilizzo di queste parti potrebbe inibire il controllo del veicolo e causare incendi o altro.

NON INSTALLARE IN LUOGHI CHE POTREBBERO INTERFERIRE CON LE OPERAZIONI DI GUIDA QUALI LO STERZO O LA LEVA DEL CAMBIO.

Diversamente si potrebbe ostruire la visuale della strada o interferire con i movimenti del conducente e causare gravi incidenti.

NON INSTALLARE IL MONITOR VICINO AL PALLONE A GONFIAGGIO AUTOMATICO DEL SEDILE PASSEGGERO.

Se l'apparecchio non è installato correttamente il pallone a gonfiaggio automatico può non funzionare correttamente e quando si gonfia può far saltare via il monitor causando incidenti e lesioni.



ATTENZIONE

Questo simbolo indica istruzioni importanti. La non osservanza di queste norme potrebbe causare ferite o provocare danni materiali.

I COLLEGAMENTI E L'INSTALLAZIONE DEVONO ESSERE EFFETTUATI DA PERSONALE QUALIFICATO.

I collegamenti e l'installazione dell'apparecchio richiedono conoscenze tecniche ed esperienza particolari. Per ragioni di sicurezza, contattare sempre il rivenditore presso il quale è stato acquistato il prodotto per eseguire l'installazione.

UTILIZZARE LE PARTI ACCESSORIE SPECIFICATE E INSTALLARLE IN MODO CORRETTO.

Assicurarsi di utilizzare solo parti accessorie specificate. L'utilizzo di altri componenti potrebbe danneggiare l'apparecchio all'interno o determinare in un'installazione non corretta. I componenti potrebbero non rimanere collegati in modo saldo e provocare problemi di funzionamento o pericoli.

SISTEMARE I CAVI IN MODO CHE NON VENGANO PIEGATI O COMPRESI DA PARTI METALLICHE TAGLIENTI.

Per evitare che vengano danneggiati o piegati, sistemare i cavi e i fili lontano da parti mobili (quali le guide dei sedili) o da parti taglienti o aguzze. Se i cavi vengono fatti passare attraverso un foro metallico, utilizzare un anello di gomma per evitare che l'isolante dei cavi venga tagliato dal bordo metallico del foro.

NON INSTALLARE IN LUOGHI ECCESSIVAMENTE UMIDI O POLVEROSI.

Evitare di installare l'apparecchio in luoghi eccessivamente umidi o polverosi. La presenza di umidità o polvere all'interno del prodotto potrebbe causare problemi di funzionamento.

Precauzioni

- Prima di installare l'unità, assicurarsi di aver scollegato il cavo dal polo negativo (-) della batteria. Ciò riduce il rischio di danni all'unità nel caso di cortocircuiti.
- Assicurarsi di collegare i cavi codificati in base al colore secondo il diagramma. Collegamenti erranei possono causare problemi di funzionamento dell'unità o danni al sistema elettrico della vettura.
- Quando si eseguono i collegamenti al sistema elettrico della vettura, fare attenzione ai componenti installati in fabbrica (ad esempio, il computer di bordo). Non servirsi di questi cavi per fornire alimentazione all'unità. Quando si collega l'unità alla scatola dei fusibili, assicurarsi che il fusibile per il circuito dell'unità sia dell'ampereaggio corretto. In caso di dubbi, consultare il rivenditore Alpine.
- L'unità è dotata di connettori RCA femmina per il collegamento ad altre unità (ad esempio un amplificatore), anch'esse dotate di connettori RCA. Può essere necessario un adattatore per collegare altre unità. In questo caso, richiedere assistenza al rivenditore autorizzato Alpine.
- Assicurarsi di collegare i cavi (-) dell'altoparlante al terminale (-) dell'altoparlante. Non collegare in nessun caso i cavi degli altoparlanti del canale sinistro e del canale destro tra di loro, né al telaio della vettura.

Elenco accessori

• X803D-U o INE-W720D.....	1
• Cavo di alimentazione.....	1
• Antenna GPS.....	1
• Piastra di fissaggio antenna.....	1
• Fascetta per cavo dell'antenna.....	1 set
• Prolunga USB.....	1
• Cavo PRE OUT.....	1
• Microfono.....	1
• Cavo CAN I/F.....	1
• Cavo W.REMOTE.....	1
• Mascherina (Solo INE-W720D).....	1
• Staffa di fissaggio HDMI.....	1
• Vite a testa piatta (M5x8).....	4
• Vite (M5x8).....	4
• Manuale d'uso.....	1 set

Installazione

Utente X803D-U

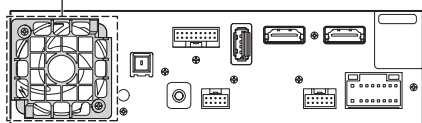
Per installare l'unità X803D-U, fare riferimento al manuale del kit di installazione in vendita separatamente per ogni tipo di vettura.

Attenzione

Non bloccare la ventola dell'unità poiché ciò potrebbe impedire la circolazione dell'aria. Se bloccata, il calore si accumula all'interno dell'unità e potrebbe dar luogo a un incendio.

<esempio>

Foro di ventilazione aria

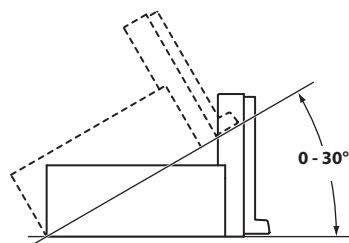


Parte posteriore dell'unità

Precauzioni sulla posizione di installazione

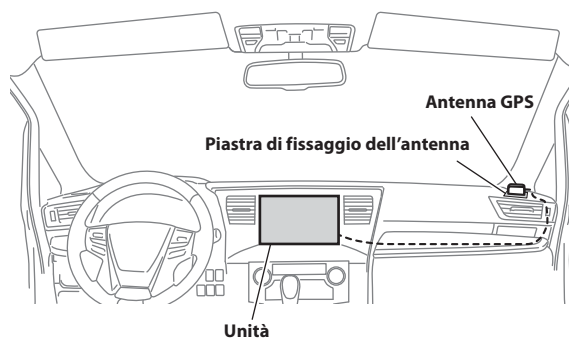
Angolo di installazione

Installare l'unità con un'angolazione compresa tra la posizione orizzontale e i 30°. Tenere in considerazione che l'installazione a un angolo non compreso nell'intervallo indicato comporterà una riduzione delle prestazioni ed eventuali danneggiamenti.



Montaggio dell'antenna GPS all'interno del veicolo.

- 1 Pulire l'area di installazione.**
- 2 Posizionare la piastra di fissaggio dell'antenna GPS.**
- 3 Montare l'antenna GPS.**



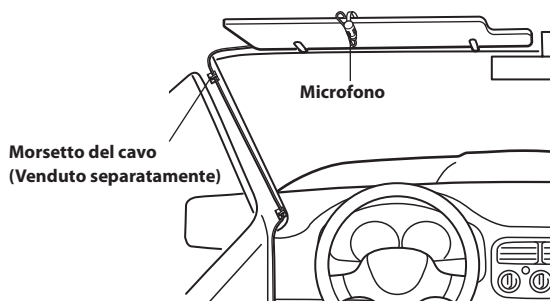
- Non installare l'antenna GPS all'interno della console centrale.
- Installare l'antenna GPS su una superficie piatta del cruscotto o del pannello posteriore.
- Verificare che l'antenna GPS non sia coperta (ostruita) da superfici o oggetti metallici.
- Se l'antenna GPS viene installata vicino l'unità, la ricezione risulta compromessa e la posizione del veicolo visualizzata può non essere corretta.
- Installare l'antenna GPS a una distanza sufficiente dall'unità.
- Avvolgere il cavo dell'antenna GPS a una certa distanza dal pannello anteriore dell'unità.
- Alcuni tipi di vetri riflettenti o atermici possono bloccare le onde ad alta frequenza. Se con l'antenna installata all'interno del veicolo la ricezione non è di buona qualità, provare a montarla esternamente.

Installazione del microfono

Per ragioni di sicurezza, verificare quanto segue:

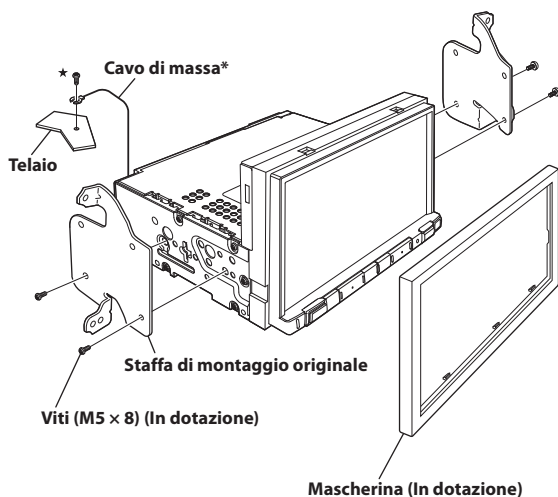
- la posizione è stabile e ferma.
- la visuale e le manovre di guida del conducente non sono ostacolate.
- il microfono è posizionato in un punto in cui la voce del conducente può essere facilmente ricevuta (ad esempio, sull'aletta parasole, ecc.).

Quando si parla al microfono, non deve essere necessario cambiare la posizione di guida. Ciò potrebbe causare una distrazione, spostando l'attenzione dalla guida sicura del veicolo. Quando si monta il microfono, tenere in particolare considerazione la direzione e la distanza. Verificare che, nella posizione prescelta, la voce del conducente sia facilmente ricevibile.



Esempio di installazione utilizzando la staffa di montaggio originale

- 1** Montare la staffa di montaggio originale sull'unità utilizzando le viti in dotazione.



* Per collegare saldamente il cavo di massa, utilizzare una vite già fissata su una parte metallica del veicolo (contrassegnata con (★)) o un punto metallico nudo e pulito sul telaio del veicolo.

- 2** Collegare tutti gli altri cavi dell'unità secondo le indicazioni riportate nella sezione "Collegamenti" (pagina 5).

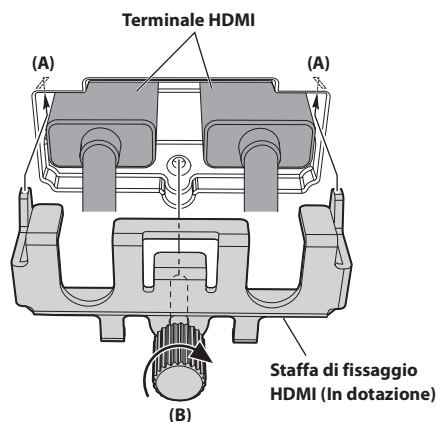
- 3** Montaggio dell'unità sul veicolo.

- Fissare i cavi attentamente. Non danneggiarli infilandoli all'interno di parti mobili, come ad esempio le guide dei sedili, o posizionandoli contro bordi affilati o aguzzi.

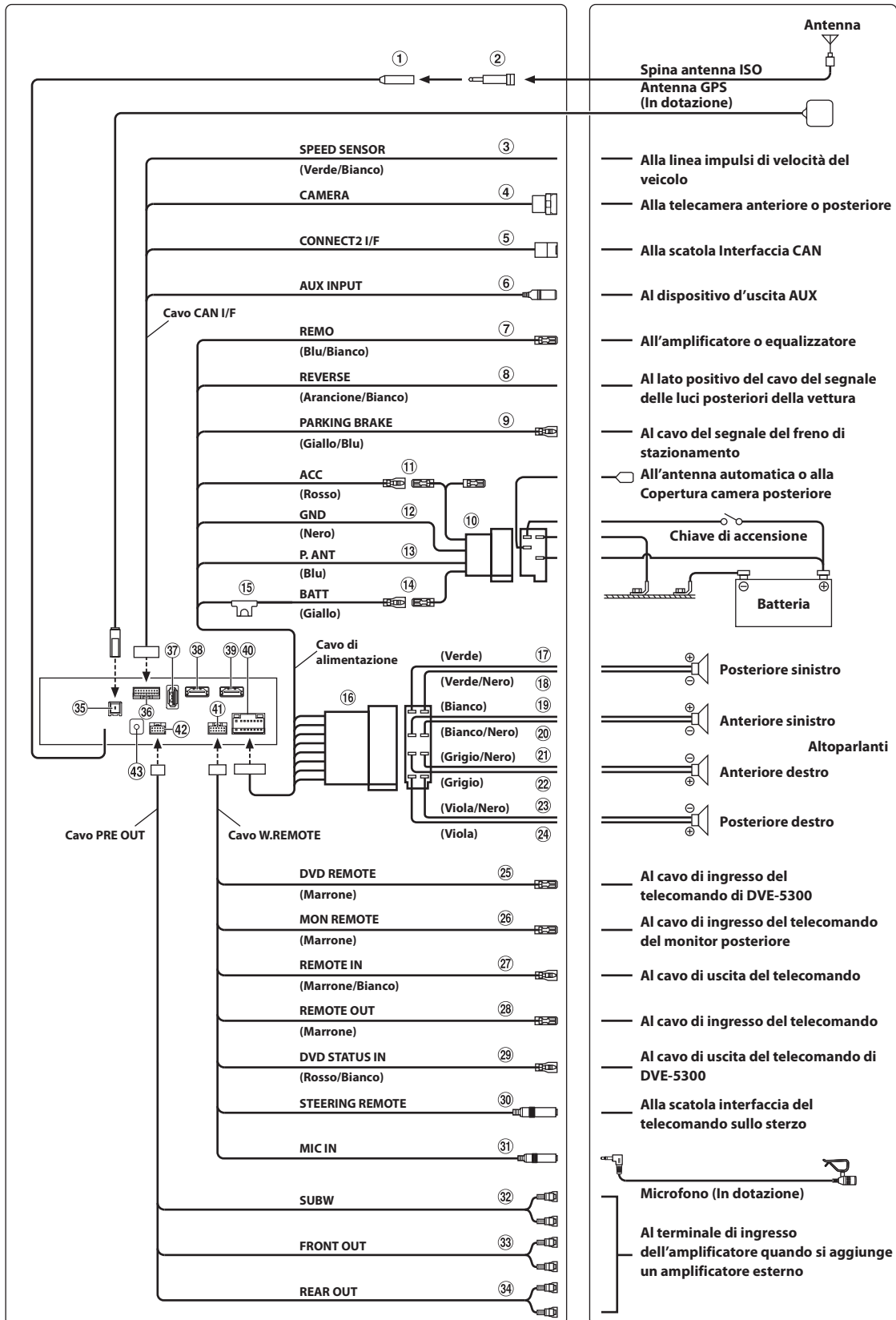
Nota sull'utilizzo dei cavi di collegamento HDMI

Quando si utilizzano i cavi di collegamento HDMI, fissare i cavi ai terminali HDMI con la staffa di fissaggio HDMI in dotazione.

- 1** Fare scorrere la staffa di fissaggio HDMI nelle scanalature (A).
- 2** Fissarla con la vite (B).



Collegamenti

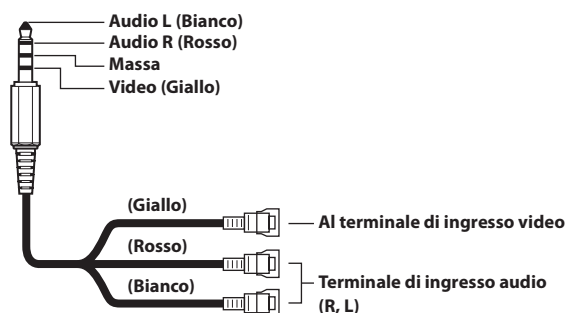


- ① **Presa antenna radio**
- ② **Adattatore antenna ISO/JASO (venduto separatamente)**
È possibile che sia richiesto un adattatore per antenna ISO/JASO, a seconda della vettura.
- ③ **Cavo del sensore di velocità (Verde/Bianco)**
Collegamenti non corretti alla linea impulsi di velocità potrebbero disattivare importanti funzioni di sicurezza del veicolo (per esempio i freni o gli airbag). Tali eventi potrebbero causare incidenti, anche mortali. Si raccomanda vivamente di affidare l'installazione a un rivenditore Alpine autorizzato e qualificato.
- ④ **Connettore di ingresso CAMERA diretto**
Utilizzare quando è collegata la telecamera diretta opzionale.
- ⑤ **Connettore interfaccia CAN**
Alla scatola Interfaccia CAN
- ⑥ **Connettore AUX INPUT**
Cavo d'ingresso per il segnale AUX video/audio.
- È richiesto un cavo d'interfaccia AV/RCA venduto separatamente (adattatore da mini AV a 4 poli a 3-RCA). Per i dettagli sull'utilizzo di un cavo di interfaccia AV/RCA (da presa AV mini a 4 poli a 3-RCA), vedere "Cavo di interfaccia AV/RCA utilizzabile (da presa AV mini a 4 poli a 3-RCA)" (pagina 7).
- ⑦ **Cavo di accensione tramite telecomando (Blu/Bianco)**
Collegare questo cavo al cavo di accensione tramite telecomando dell'amplificatore o processore di segnali.
- ⑧ **Cavo della retromarcia (Arancione/Bianco)**
Collegare alla parte positiva delle luci di retromarcia della vettura. Tali luci si accendono quando si innesta la retromarcia (R).
Se il cavo è collegato correttamente, ogni volta che si imposta la retromarcia (R), l'immagine video passa automaticamente alla telecamera posteriore.
- ⑨ **Cavo freno di stazionamento (Giallo/Blu)**
Collegare questo cavo all'alimentazione dell'interruttore del freno di stazionamento per trasmettere i segnali di stato del freno di stazionamento all'unità.
- ⑩ **Connettore alimentazione ISO**
- ⑪ **Cavo di alimentazione asservita (Accensione) (Rosso)**
Collegare questo cavo a un terminale interrotto sulla scatola fusibili della vettura o ad un'altra fonte di alimentazione inutilizzata che fornisce (+) 12 V solo quando l'accensione è inserita o nella posizione accessoria.
- ⑫ **Cavo di massa (Nero)**
Collegare questo cavo a una massa idonea nel telaio della vettura.
Assicurarsi che il collegamento sia eseguito a metallo nudo e che sia fissato saldamente con la vite per lamiera in dotazione.
- ⑬ **Cavo antenna elettrica (Blu)**
Collegare questo cavo al terminale +B dell'antenna elettrica, se applicabile.
- Quando la camera di retrovisione è dotata di una copertura elettrica protettiva, modificare l'impostazione di Copertura camera posteriore su On e connettere questo filo al terminale +B delle camera di retrovisione.
 - Questo filo può essere usato solo per controllare l'antenna automatica del veicolo o la copertura della camera di retrovisione. Non usarlo per accendere un amplificatore o un processore di segnali, ecc.
- ⑭ **Cavo batteria (Giallo)**
Collegare questo cavo al terminale positivo (+) della batteria della vettura.
- ⑮ **Portafusibile (15A)**
- ⑯ **Connettore ISO (Uscita altoparlante)**
- ⑰ **Cavo di uscita altoparlante (+) posteriore sinistro (Verde)**
- ⑱ **Cavo di uscita altoparlante (-) posteriore sinistro (Verde/ Nero)**
- ⑲ **Cavo di uscita altoparlante (+) anteriore sinistro (Bianco)**
- ⑳ **Cavo di uscita altoparlante (-) anteriore sinistro (Bianco/ Nero)**
- ㉑ **Cavo di uscita altoparlante (-) anteriore destro (Grigio/ Nero)**
- ㉒ **Cavo di uscita altoparlante (+) anteriore destro (Grigio)**
- ㉓ **Cavo di uscita altoparlante (-) posteriore destro (Viola/ Nero)**
- ㉔ **Cavo di uscita altoparlante (+) posteriore destro (Viola)**
- ㉕ **Cavo di uscita del telecomando (Marrone) (Per il lettore DVD DVE-5300)**
Collegare questo cavo al cavo di ingresso del telecomando. Questo cavo emette i segnali di controllo dal telecomando.
- ㉖ **Cavo di uscita del telecomando (Marrone) (Per il monitor posteriore)**
Collegare questo cavo al cavo di ingresso del telecomando. Questo cavo emette i segnali di controllo dal telecomando.
- ㉗ **Cavo di ingresso del telecomando (Marrone/Bianco)**
Collegare un prodotto Alpine esterno al cavo di uscita del telecomando.

- ②8 **Cavo di uscita del telecomando (Marrone)**
Collegare questo cavo al cavo di ingresso del telecomando. Questo cavo emette i segnali di controllo dal telecomando.
- ②9 **Cavo di ingresso del telecomando del DVD (Rosso/ Bianco) (Per il lettore DVD DVE-5300)**
Collegare il lettore DVD DVE-5300 al cavo di uscita del telecomando.
- ③0 **Connettore interfaccia telecomando sullo sterzo**
Alla scatola interfaccia del telecomando sullo sterzo. Per informazioni sui collegamenti, consultare il rivenditore Alpine di zona.
- ③1 **Connettore di ingresso MIC**
Al microfono (In dotazione)
 - Quando si utilizza il microfono in dotazione, impostare la selezione del microfono su "Esterno." Per i dettagli, fare riferimento al capitolo sulla "Impostazione di selezione del microfono" nel MANUALE D'USO (CD-ROM).
- ③2 **Connettori RCA per subwoofer**
ROSSO per il canale destro, BIANCO per il sinistro.
- ③3 **Connettori RCA di uscita anteriore**
Possono essere utilizzati come connettori RCA di uscita anteriore. ROSSO per il canale destro, BIANCO per il sinistro.
- ③4 **Connettori RCA di uscita posteriore**
Possono essere utilizzati come connettori RCA di uscita posteriore. ROSSO per il canale destro, BIANCO per il sinistro.
- ③5 **Presenza antenna GPS**
Collegare a un'antenna GPS (In dotazione).
- ③6 **Connettore CAN I/F**
- ③7 **Connettore USB**
All'unità flash, all'iPod/iPhone o allo smartphone Android.
- ③8 **Connettore di ingresso HDMI**
- ③9 **Connettore di uscita HDMI**
- ④0 **Connettore alimentazione**
- ④1 **Connettore W.REMOTE**
- ④2 **Connettore PRE OUT**
- ④3 **Connettore dell'antenna DAB**
All'antenna DAB (venduta separatamente).

Cavo di interfaccia AV/RCA utilizzabile (da presa AV mini a 4 poli a 3-RCA)

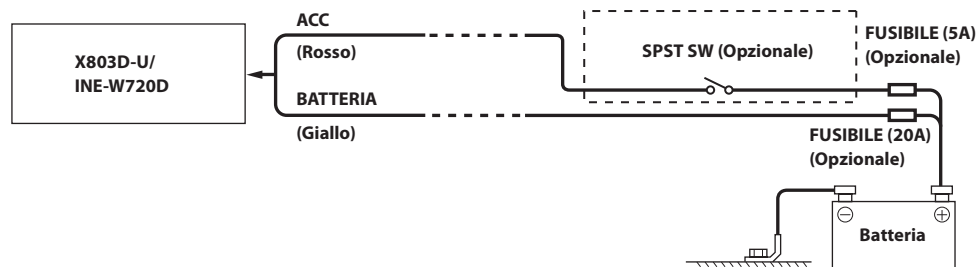
Convenzione per il sistema di cablaggio:



- La configurazione delle prese AV mini a 4 poli disponibili in commercio non è standardizzata.

Se l'alimentazione ACC non è disponibile

Diagramma di collegamento dell'interruttore SPST (venduto separatamente)



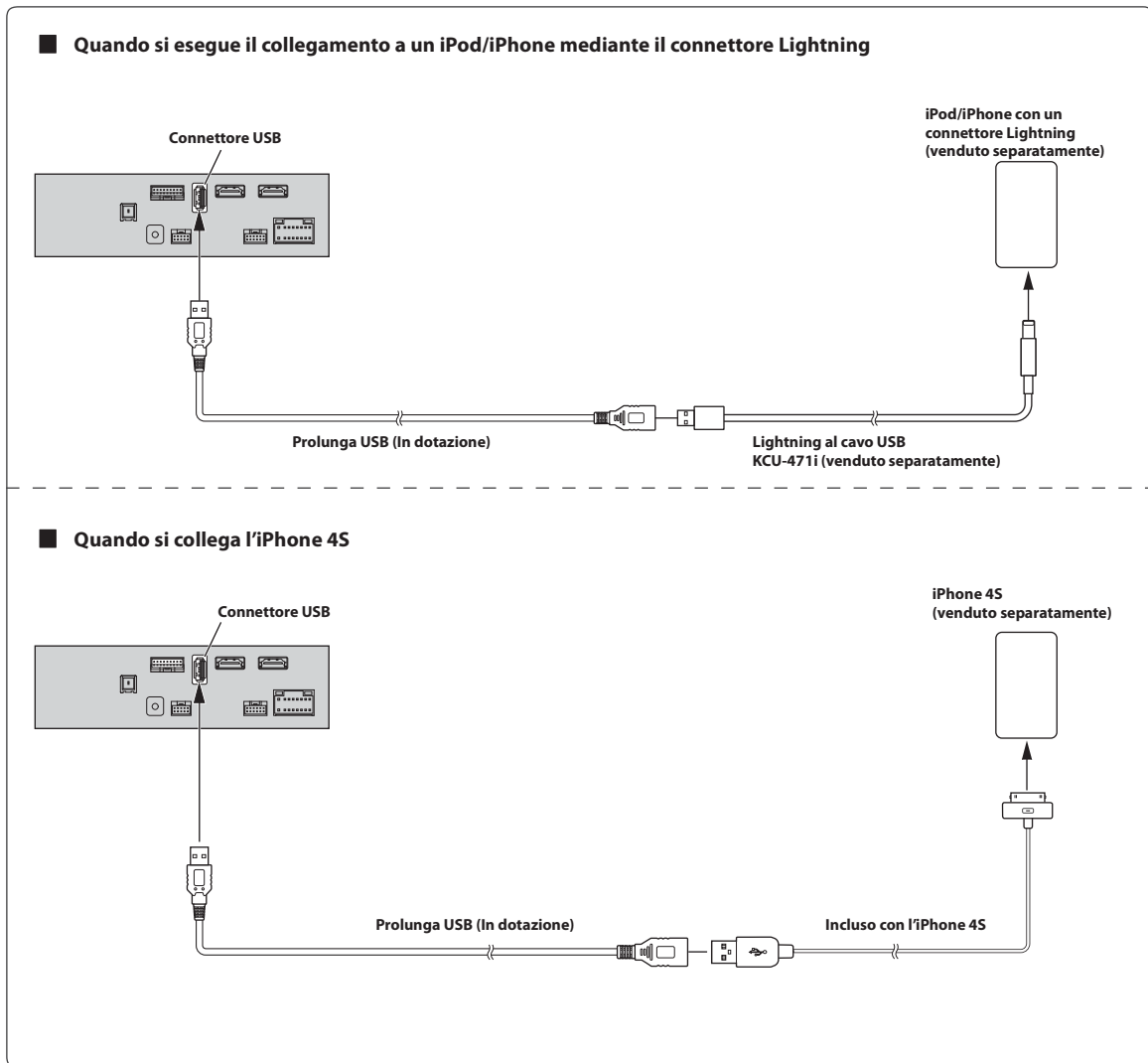
- Se la vettura non è dotata di alimentazione ACC, aggiungere un interruttore SPST (unipolare, inserzione singola) (venduto separatamente) e un fusibile (venduto separatamente).
- Lo schema di collegamento e l'ampérage del fusibile della figura precedente si riferiscono all'uso della sola unità.
- Se il cavo di alimentazione (accensione) dell'unità è collegato direttamente al polo positivo (+) della batteria del veicolo, l'unità consuma corrente (alcune centinaia di milliampere) anche quando l'interruttore è in posizione OFF; pertanto, è possibile che la batteria si scarichi.

Per evitare la penetrazione di disturbi esterni nel sistema audio.

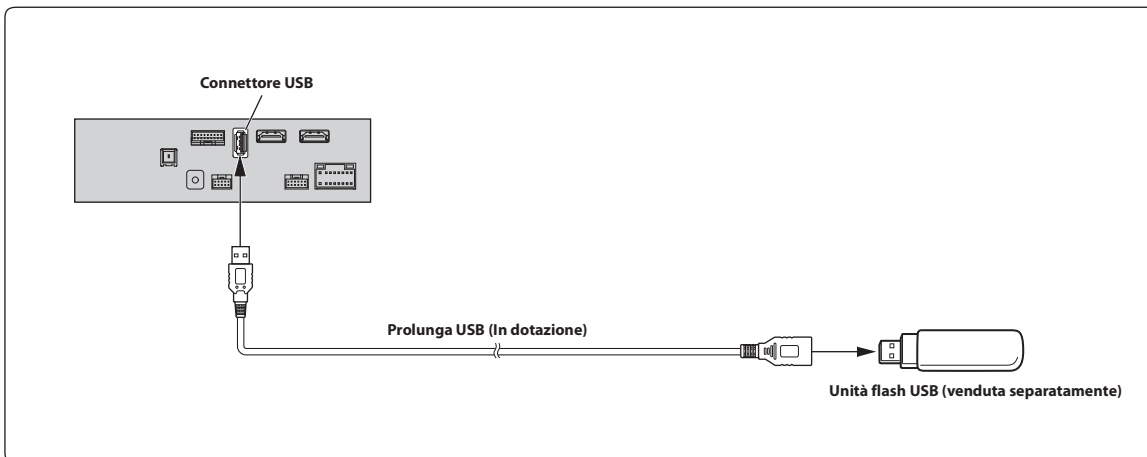
- Collocare l'unità e disporre i cavi ad almeno 10 cm di distanza dal cablaggio della vettura.
- Tenere i cavi elettrici della batteria il più lontano possibile dagli altri cavi.
- Collegare il cavo di massa saldamente ad un punto metallico nudo (eliminare vernice, sporco e grasso, se necessario) del telaio della vettura.
- Se si aggiunge un dispositivo antidisturbo opzionale, collegarlo il più lontano possibile dall'unità. Presso i rivenditori Alpine sono disponibili vari dispositivi antidisturbo. Rivolgersi al proprio rivenditore per ulteriori informazioni.
- Il rivenditore Alpine conosce i rimedi migliori per la prevenzione dei disturbi. Rivolgersi al proprio rivenditore per ulteriori informazioni.

Esempio di sistema

Collegamento di un iPod/iPhone

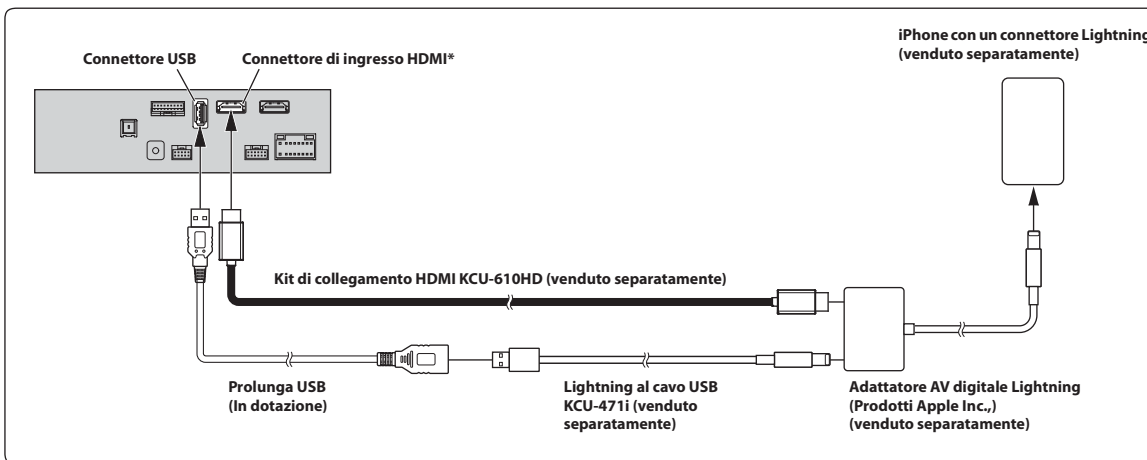


Collegamento di un'unità flash



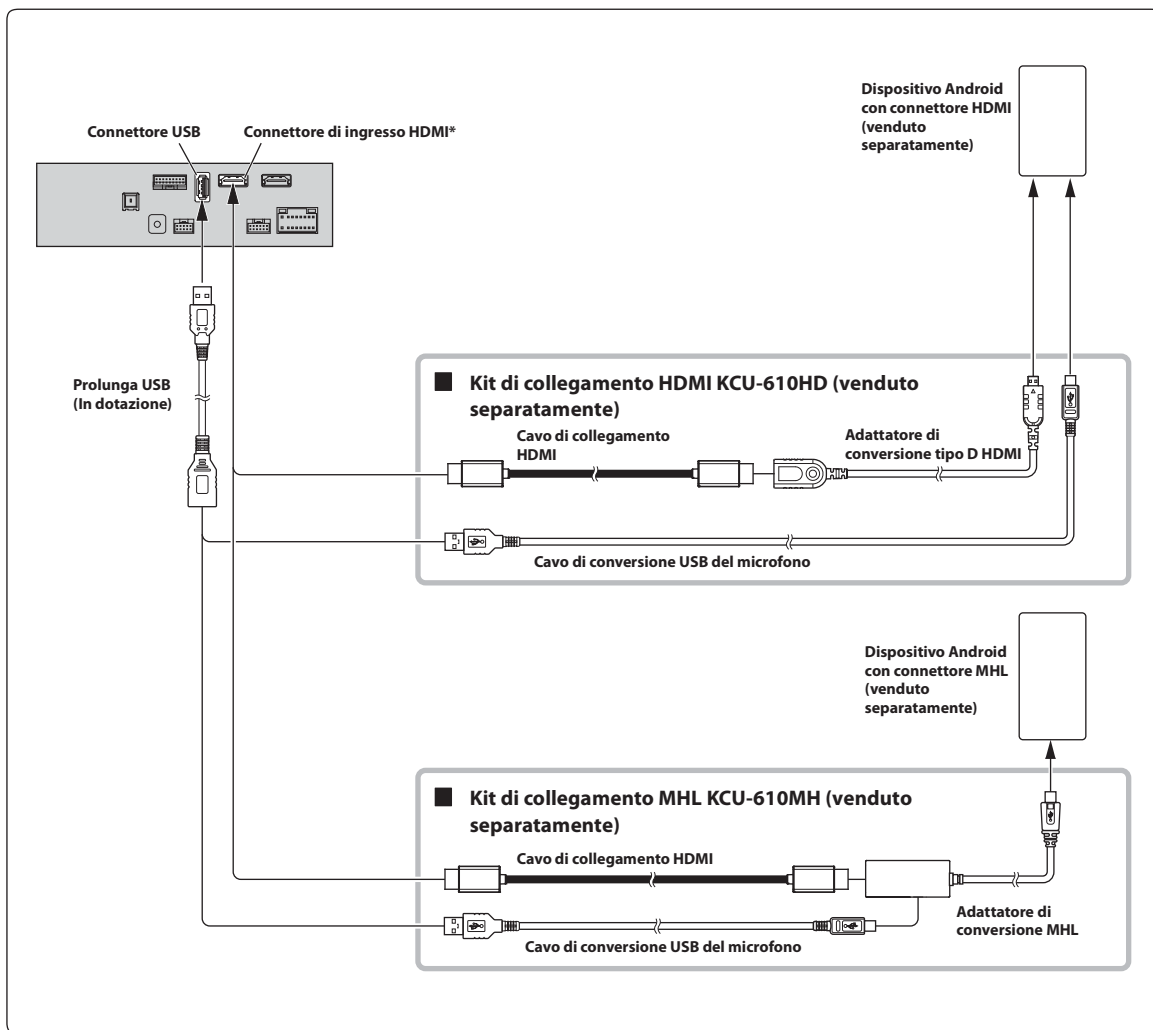
- Non lasciare un'unità flash all'interno della vettura per un periodo di tempo prolungato. Calore e umidità potrebbero danneggiarla.

Collegamento di un dispositivo HDMI (iPhone con un connettore Lightning)



- * Quando si collega un cavo di collegamento HDMI, assicurarsi di fissarlo utilizzando la staffa di fissaggio HDMI in dotazione. Per dettagli sul fissaggio del cavo, vedere "Nota sull'utilizzo dei cavi di collegamento HDMI" (pagina 4).
- Impostare la configurazione HDMI su "HDMI". Per i dettagli, fare riferimento al capitolo sulla "Impostazione di HDMI" nel MANUALE D'USO (CD-ROM).

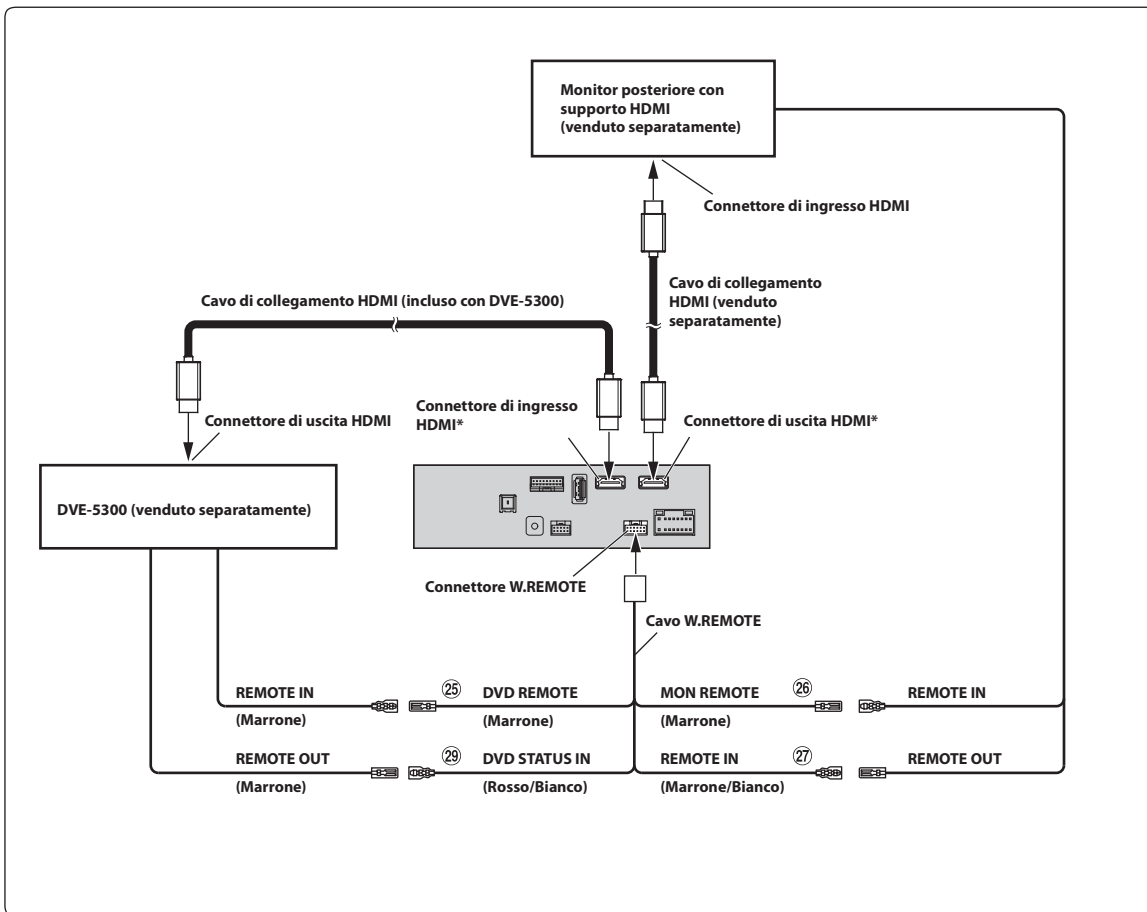
Collegamento di un dispositivo HDMI (dispositivo Android)



- È richiesto un kit di collegamento o un kit di adattamento adeguato al tipo di terminale sul dispositivo di collegamento.
- Impostare la configurazione HDMI su "HDMI". Per i dettagli, fare riferimento al capitolo sulla "Impostazione di HDMI" nel MANUALE D'USO (CD-ROM).

* Quando si collega un cavo di collegamento HDMI, assicurarsi di fissarlo utilizzando la staffa di fissaggio HDMI in dotazione. Per dettagli sul fissaggio del cavo, vedere "Nota sull'utilizzo dei cavi di collegamento HDMI" (pagina 4).

Collegamento di un DVE-5300 e di un monitor posteriore con supporto HDMI

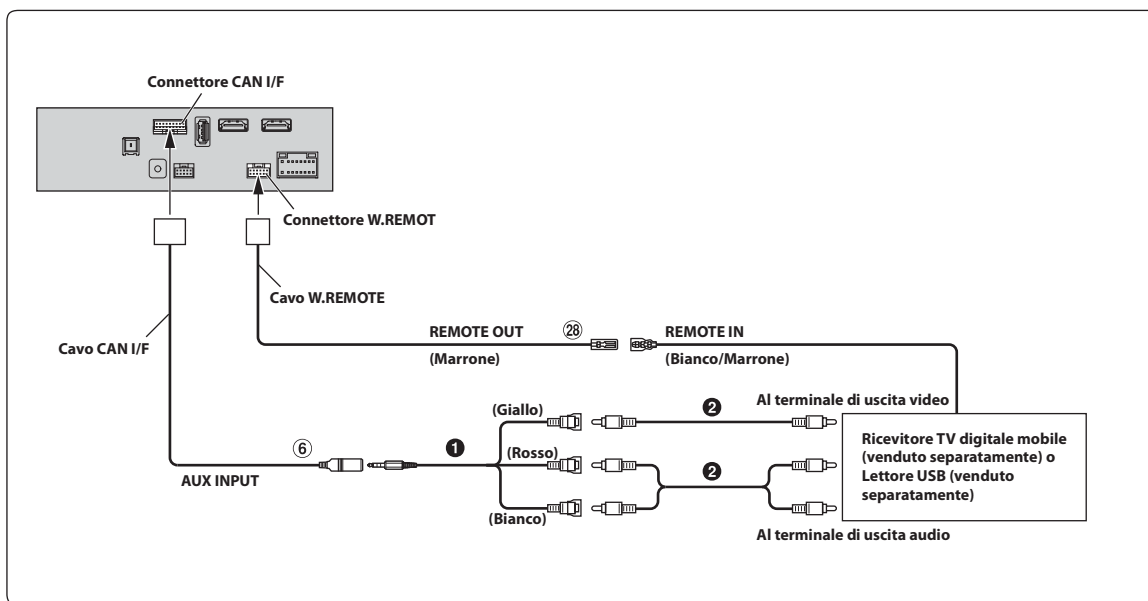


- ②⑤ **Cavo di uscita del telecomando (Marrone) (Per il lettore DVD DVE-5300)**
- ②⑥ **Cavo di uscita del telecomando (Marrone) (Per il monitor posteriore)**
- ②⑦ **Cavo di ingresso del telecomando (Marrone/Bianco) (Per il monitor posteriore)**
- ②⑨ **Cavo di ingresso del telecomando del DVD (Rosso/Bianco) (Per il lettore DVD DVE-5300)**

* Quando si collega un cavo di collegamento HDMI, assicurarsi di fissarlo utilizzando la staffa di fissaggio HDMI in dotazione. Per dettagli sul fissaggio del cavo, vedere "Nota sull'utilizzo dei cavi di collegamento HDMI" (pagina 4).

- Impostare la configurazione HDMI su "DVD". Per i dettagli, fare riferimento al capitolo sulla "Impostazione di HDMI" nel MANUALE D'USO (CD-ROM).

Collegamento di un ricevitore TV digitale mobile o un USB player



⑥ Connettore AUX INPUT

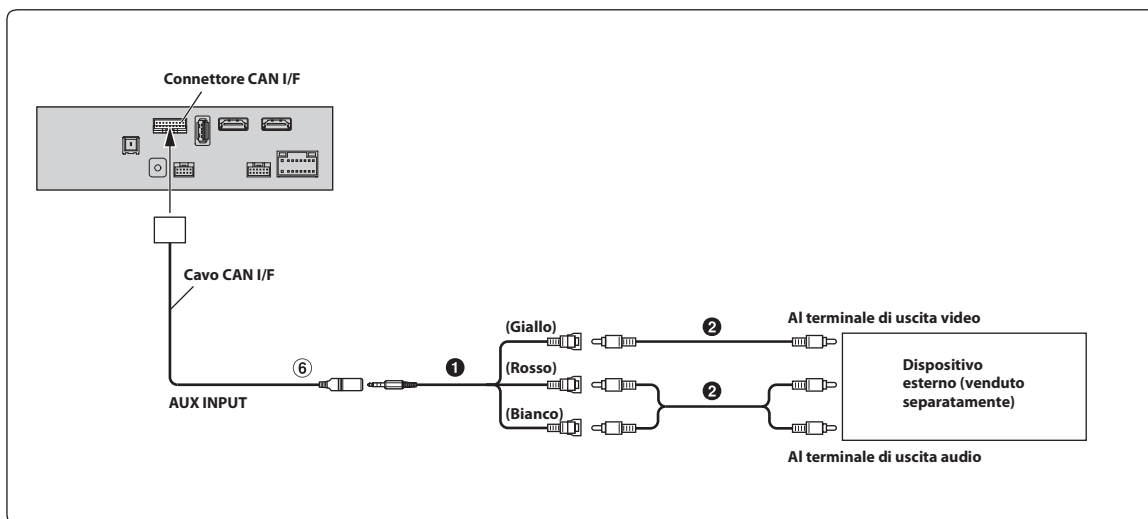
②⑧ Cavo di uscita del telecomando (Marrone)

① Cavo di interfaccia AV/RCA (da presa AV mini a 4 poli a 3-RCA) (venduto separatamente)

② Prolunga RCA (venduta separatamente)

- Per i dettagli sull'utilizzo di un cavo di interfaccia AV/RCA (da presa AV mini a 4 poli a 3-RCA), vedere "Cavo di interfaccia AV/RCA utilizzabile (da presa AV mini a 4 poli a 3-RCA)" (pagina 7).
- Impostare il nome AUX su "DVB-T" o "USB Player". Per i dettagli, fare riferimento al capitolo sulla "Impostazione del nome del dispositivo ausiliario (AUX)" nel MANUALE D'USO (CD-ROM).

Collegamento di un dispositivo esterno



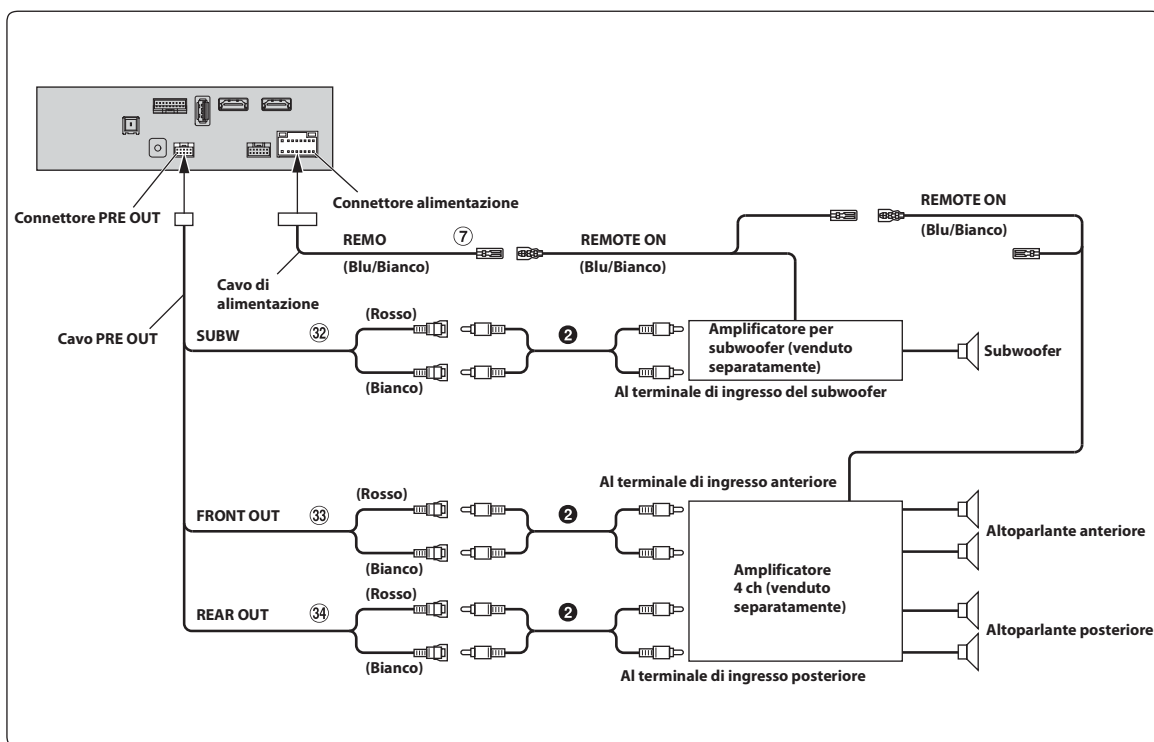
⑥ Connettore AUX INPUT

① Cavo di interfaccia AV/RCA (da presa AV mini a 4 poli a 3-RCA) (venduto separatamente)

② Prolunga RCA (venduta separatamente)

- È possibile modificare il nome di un dispositivo esterno. Per i dettagli, fare riferimento al capitolo sulla "Impostazione del nome del dispositivo ausiliario (AUX)" nel MANUALE D'USO (CD-ROM).
- Per i dettagli sull'utilizzo di un cavo di interfaccia AV/RCA (da presa AV mini a 4 poli a 3-RCA), vedere "Cavo di interfaccia AV/RCA utilizzabile (da presa AV mini a 4 poli a 3-RCA)" (pagina 7).

Collegamento di un amplificatore esterno



⑦ Cavo di accensione tramite telecomando (Blu/Bianco)

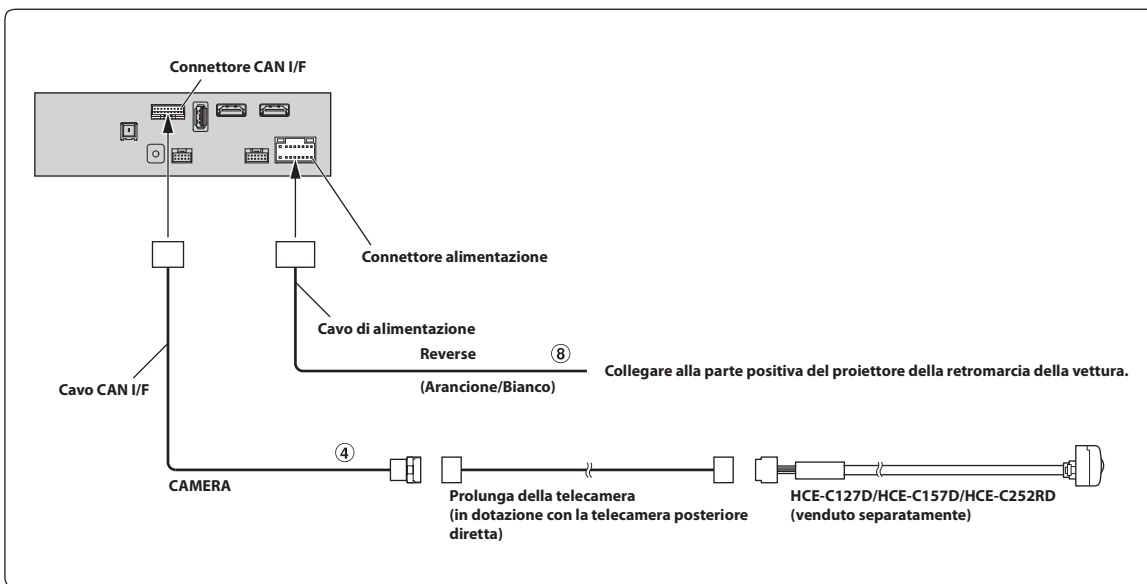
② Prolunga RCA (venduta separatamente)

③② Connettori RCA per subwoofer

③③ Connettori RCA di uscita anteriore

③④ Connettori RCA di uscita posteriore

Collegamento di una telecamera posteriore

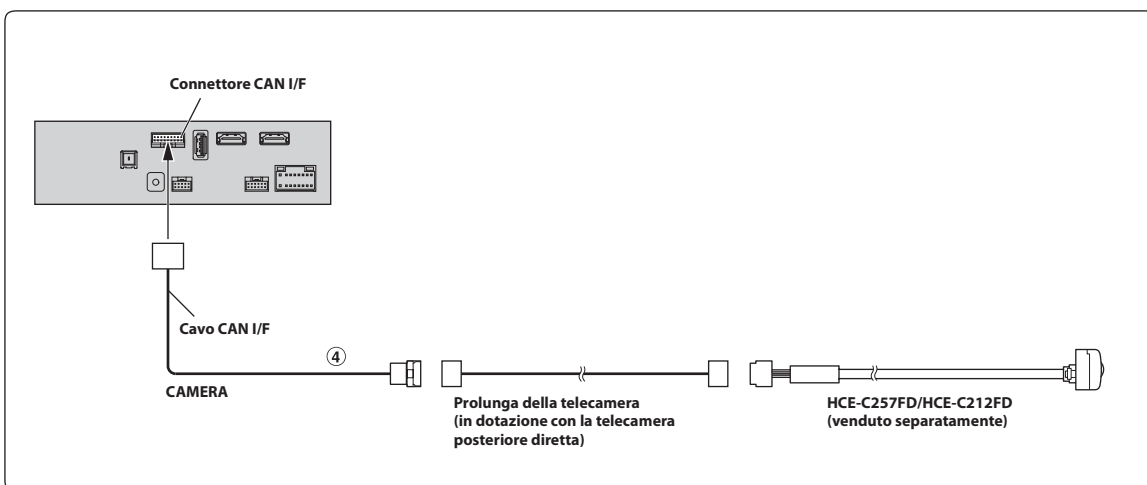


④ Connettore di ingresso CAMERA diretto

⑧ Cavo della retromarcia (Arancione/Bianco)

- Impostare la selezione della telecamera su "Posteriore". Per i dettagli, fare riferimento al capitolo sulla "Impostazione dell'ingresso di Camera" nel MANUALE D'USO (CD-ROM).

Collegamento di una telecamera anteriore



④ Connettore di ingresso CAMERA diretto

- Impostare la selezione della telecamera su "Anteriore". Per i dettagli, fare riferimento al capitolo sulla "Impostazione dell'ingresso di Camera" nel MANUALE D'USO (CD-ROM).

Innehåll

VARNING	2
FÖRSIKTIGT	2
Försiktighetsåtgärder	3
Tillbehörslista	3
Installation	3
Att tänka på vid val av monteringsplats	3
Montera GPS-antennen inuti fordonet	3
Montera mikrofonen	4
Monteringsexempel med originalfäste	4
Anslutningar	5
Om du inte kan ta ström från tändningslåset	8
Systemexempel	9



VARNING

Den här symbolen innebär viktiga instruktioner. Om inte dessa anvisningar följs kan det kan leda till allvarliga olyckor som till och med kan få dödlig utgång.

TAG INTE ISÄR OCH GÖR INGA ÄNDRINGAR.

Det kan resultera i en olycka, brand eller elektriska stötar.

FÖRVARA SMÅ FÖREMÅL, SOM T.EX. BULTAR OCH SKRUVAR, UTOM RÄCKHÅLL FÖR BARN.

Om något föremål skulle sväljas, skall en läkare kontaktas omedelbart.

ANVÄND RÄTT AMPERETAL VID BYTE AV SÄKRINGAR.

Fel amperetal kan orsaka brand eller elektriska stötar.

BLOCKERA INTE VENTILATIONS-ÖPPNINGAR ELLER VÄRME-PANELER.

Det kan göra att värme alstras inuti apparaten, vilket kan leda till brand.

DEN HÄR PRODUKTEN ÄR ENDAST AVSEDD FÖR MONTERING I BILAR MED 12 VOLTS-SYSTEM.

Annan användning kan resultera i brand, elektriska stötar eller andra skador.

GÖR ANSLUTNINGARNA PÅ KORREKT SÄTT.

Felaktiga anslutningar kan orsaka brand eller skador på enheten.

ANVÄND BARA ENHETEN I BILAR MED 12-VOLTSYSTEM SOM HAR NEGATIV (-) JORD.

(Återförsäljaren kan hjälpa dig om du är osäker.) Felaktig anslutning kan resultera i brand, elektriska stötar eller andra skador.

KOPPLA UR KABELN FRÅN DET NEGATIVA (-) UTTAGET PÅ BILBATTERIET INNAN ANSLUTNINGARNA GÖRS.

Detta för att undvika risken för elektriska stötar eller olycksfall på grund av kortslutning.

SE TILL ATT INTE KABLARNAS TRASSLAR IN SIG I OMGIVANDE FÖREMÅL.

Utför kabeldragningen enligt anvisningarna för att undvika arrangemang som kan äventyra körningen. Kablar och anslutningar i närheten av rattstäng, växelspak, bromspedal och liknande kritiska platser kan vara mycket farligt.

KAPA INTE BORT KABELMANTELN FRÅN EN STRÖMKABEL FÖR ATT STRÖMFÖRSÖRJA NÅGOT ANNAT TILLBEHÖR.

Det leder till en för hög kabelbelastning och kan resultera i brand eller elektriska stötar.

SE TILL ATT VARKEN RÖR, VÄTSKELEDNINGAR ELLER KABLAR VIDRÖRS, SKADAS ELLER FÖRHINDRAS VID BORRNING AV HÅL.

Undersök chassit innan hålen borras så att inte några slangar, kablar, brännsledningar eller liknande råkar skadas. Det kan leda till att brand uppstår.

MONTERA VARKEN MUTTRAR ELLER BULTAR I NÅGON DEL AV BROMSSYSTEMET VID JORDANSLUTNINGAR.

Bultar eller muttrar som hör till någon vätsketank, styr- eller bromssystemet (eller något annat system som är av betydelse för säkerheten) ska ALDRIG användas för kabeldragning eller jordanslutning. Användandet av sådana delar kan leda till att fordonets styrförmåga försämras och orsaka bromsfel, brand eller personskada.

MONTERA INTE APPARATEN PÅ EN PLATS DÄR DEN KAN UTGÖRA RISK FÖR FORDONETS MANÖVRERING, T.EX. I NÄRHETEN AV RATT ELLER VÄXELSPAK.

Om installationen försämrar sikten eller hindrar rörelsen hos väsentliga funktioner kan det lätt leda till olyckor.

MONTERA INTE BILDSKÄRMEN NÄRA PASSAGERARSÄTETS AIRBAG.

Felaktig montering av bildskärmen kan leda till att airbagen inte fungerar som den ska. Det kan också orsaka olycka och personskada på grund av att bildskärmen träffas av airbagen och kastas uppåt när airbagen utlöses.



FÖRSIKTIGT

Den här symbolen innebär viktiga instruktioner. Underlåtenhet att följa dem kan leda till skador på person eller egendom.

LÅT EN FACKKUNNIG TEKNIKER GÖRA KABELDRAGNINGEN OCH MONTERINGEN.

Kabeldragningen och monteringen av denna apparat kräver teknisk kunskap och erfarenhet. Kontakta återförsäljaren, som sålde apparaten, för utförandet av säker montering.

ANVÄND ALLTID SPECIFICERADE TILLBEHÖR OCH MONTERA TILLBEHÖREN ORDENTLIGT.

Användandet av andra delar än som är avsedda för denna apparat kan leda till att apparaten skadas invändigt eller till ostadig montering på grund av lossnande delar

DRA KABLARNAS RAKA OCH SÅ ATT DE INTE KOMMER I KLÄM ELLER SKAVER MOT SKARPA KANTER.

Undvik kläm- och nötskador genom att se till att kablarna går fria från rörliga delar (t.ex. bilsätens glidbanor) och skarpa och spetsiga kanter. Om kablarna måste dras genom hål i plåten bör gummibussningar användas som skydd, så att inte kablarna ligger och nöter mot metallen.

MONTERA INTE APPARATEN DÄR DEN UTSÄTTS FÖR FUKT ELLER DAMM.

Undvik att installera enheten på platser där fukt och damm kan tränga in och ställa till skador.

Försiktighetsåtgärder

- Se till att du kopplar bort kabeln från batteriets minuspol (-) innan du installerar din enhet. Då undviker du risken för kortslutningar som kan skada enheten.
- Se till att du ansluter de färgmärkta kablarna enligt kopplingsdiagrammet. Felaktiga anslutningar kan leda till att enheten inte fungerar eller skada fordonets elsystem.
- Var aktsam med de elektriska komponenter i fordonet som installerats på fabriken (t.ex. en inbyggd dator) när anslutningar görs till fordonets elsystem. Använd inte ledningarna till sådana komponenter som strömförsörjningskablar för den här enheten. Kontrollera att säkringen för avsedd krets till enheten har rätt amperetal innan den ansluts till säkringsdosan. Kontakta en Alpine-handlare om osäkerhet föreligger.
- Enheten har honkontakter av RCA-typ för anslutning till andra enheter (t.ex. förstärkare) som har RCA-kontakter. Det kan hända att en adapter behövs för anslutning till andra komponenter. Kontakta i så fall en auktoriserad Alpine-återförsäljare för att få hjälp.
- Anslut högtalarkablarnas minuspol (-) till högtalarutgångarnas minusanslutningar (-). Höger och vänster kablar får inte anslutas till varandra eller till bilkarossen.

Tillbehörslista

- X803D-U eller INE-W720D..... 1
- Strömkabel..... 1
- GPS-antenn..... 1
- Antennmonteringsplatta..... 1
- Kabelklämma för antenn..... 1 uppsättning
- USB-förlängningskabel..... 1
- PRE OUT-kabel..... 1
- Mikrofon..... 1
- CAN I/F-kabel..... 1
- W.REMOTE-kabel..... 1
- Frontplatta (endast INE-W720D)..... 1
- Fästkonsol för HDMI..... 1
- Försänkt skruv (M5×8)..... 4
- Skruv (M5×8)..... 4
- Bruksanvisning..... 1 uppsättning

Installation

Användare av X803D-U

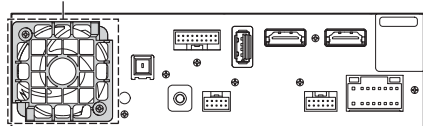
Anvisningar för hur du installerar X803D-U finns i handboken till den separat inköpta monteringsattsens för varje biltyp.

Varning

Blockera inte enhetens fläkt. Det hindrar luftcirkulationen. Om den blockeras alstras värme i enheten och det kan resultera i brand.

<exempel>

Ventilationshål

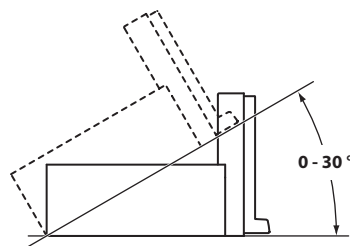


Enhetens baksida

Att tänka på vid val av monteringsplats

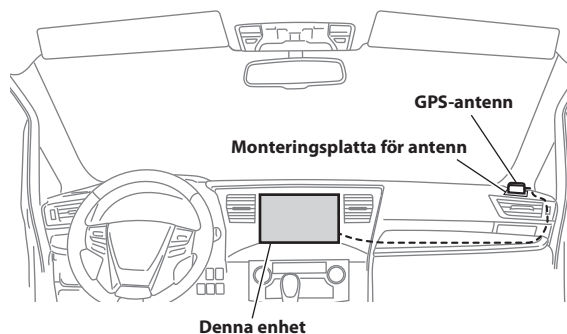
Monteringsvinkel

Montera med en lutning mellan horisontell och 30°. Notera att installation i en vinkel utanför denna räckvidd kommer att resultera i minskad prestanda och möjligen skada.



Montera GPS-antennen inuti fordonet

- 1 Rengör monteringsplatsen.
- 2 Placera monteringsplattan för GPS-antennen på platsen.
- 3 Montera GPS-antennen.



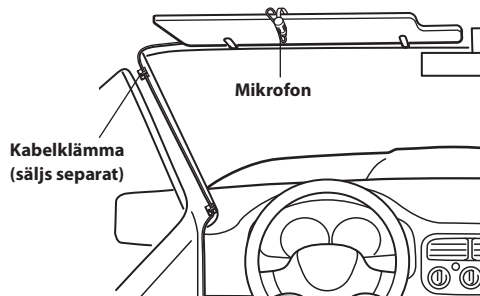
- Montera inte GPS-antennen inuti mittkonsolen.
 - Montera GPS-antennen på en plan yta på instrumentbrädan eller det bakre facket.
 - Se till att GPS-antennen inte är övertäckt (hindras) av någon metalllyta eller metallföremål.
- Om GPS-antennen monteras i närheten av enheten blir mottagningen dålig och fordonets position kanske inte visas på rätt sätt.
 - Montera GPS-antennen tillräckligt långt från enheten.
 - Håll GPS-antennens kablar borta från enhetens baksida.
- Vissa glastyper med termisk reflektion eller termisk absorption kan störa vågor av hög frekvens. Försök att montera antennen på bilden utsida om mottagningen är dåligt när antennen är monterad inuti bilen.

Montera mikrofonen

För säker användning, kontrollera följande:

- Att placeringen är stabil och fast.
- Att förarens sikt och hantering inte hindras.
- Att mikrofonen är placerad där förarens röst lätt kan fångas upp (t.ex. på solskyddet).

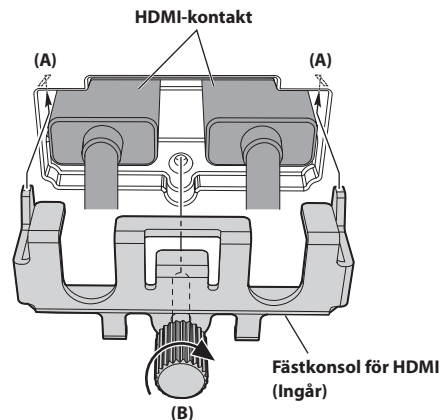
När du talar in i mikrofonen ska du inte behöva ändra din körställning. Detta kan orsaka en distraktion och tar uppmärksamheten från fordonet och vägen. Ta noga i åtanke riktning och avstånd när du monterar mikrofonen. Bekräfta att förarens röst lätt kan fångas upp från den valda platsen.



Att notera vid användning av anslutningskablar för HDMI

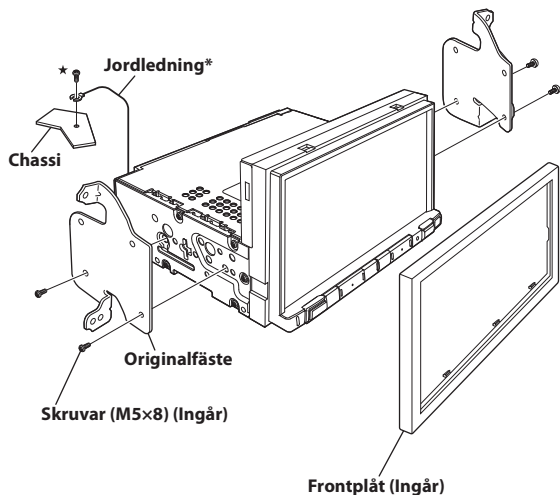
Om du använder HDMI-kablar ska kablarna fixeras vid HDMI-kontakterna med hjälp av det medföljande HDMI-fästet.

- 1 För in HDMI-fästet i spåren (A).
- 2 Fixera det med skruven (B).



Monterings exempel med originalfäste

- 1 Montera originalfästet på enheten med de medföljande skruvarna.



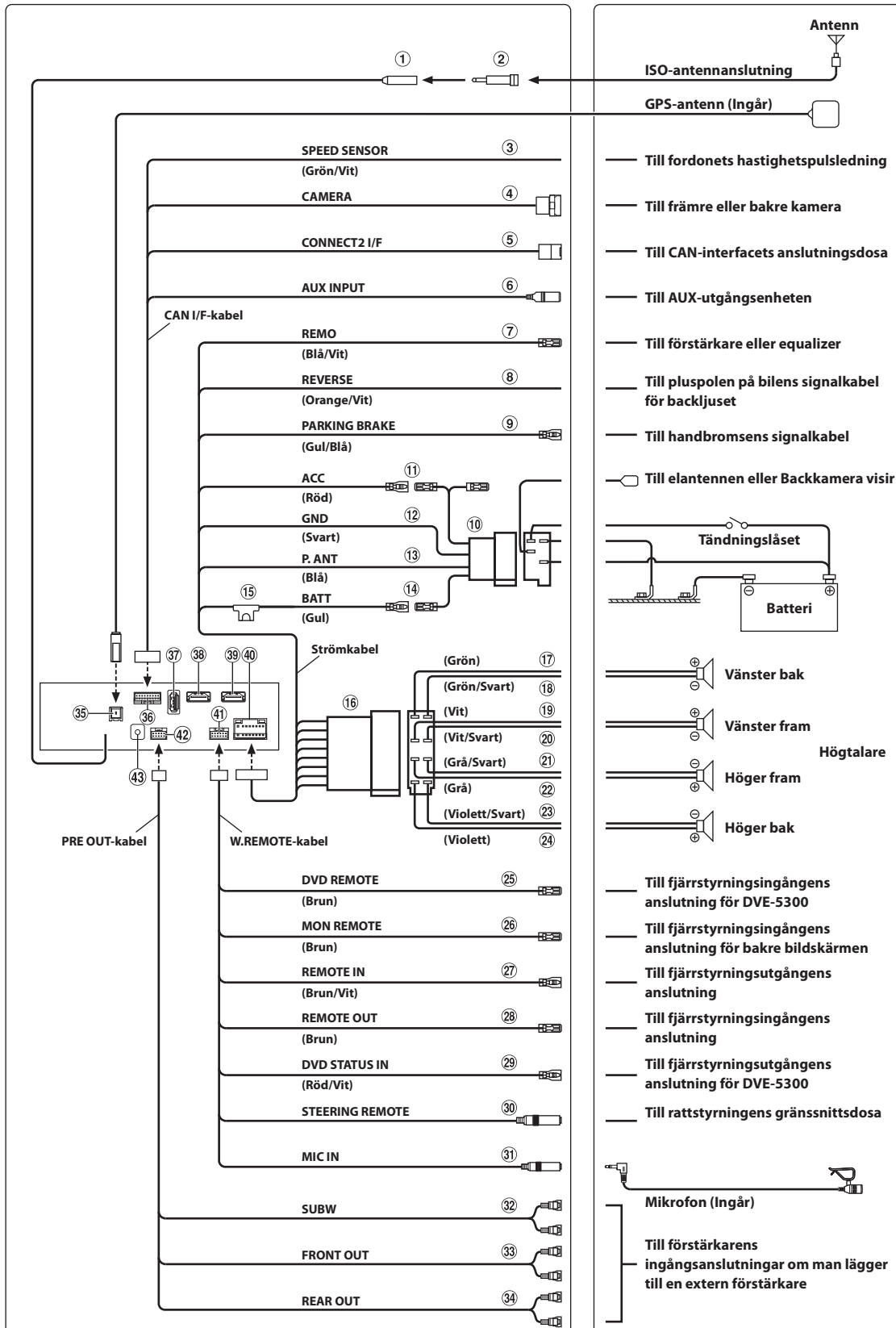
* För att få ordentlig anslutning till jord, använd någon befintlig skruv som är fäst i fordonsmetallen (markerad med ★) eller en ren, naken metalllyta i fordonets chassi.

- 2 Anslut alla kablar till enheten enligt beskrivning i "Anslutningar" (sida 5).

- 3 Montera enheten i bilen.

- Fixera kablarna noggrant. Se till att de inte skadas genom att komma i vägen för rörliga delar, t ex en stolskena, eller genom att placera dem mot vassa eller spetsiga kanter.

Anslutningar

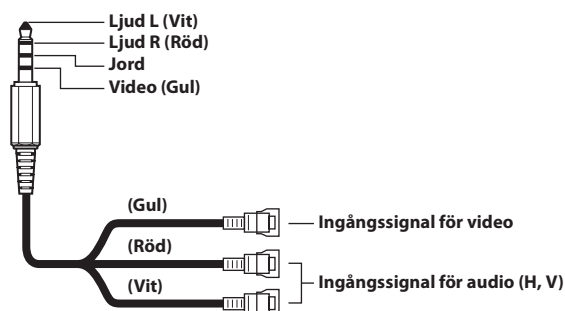


- ① **Anslutning för radioantenn**
- ② **ISO/JASO-antennadapter (säljs separat)**
ISO/JASO-antennadapter kan erfordras beroende på fordonet.
- ③ **Hastighetsgivarledning (Grön/Vit)**
Felaktig anslutning av hastighetspulsledningen kan leda till att viktiga säkerhetsfunktioner i bilen inte fungerar längre (t.ex. bromsar eller krockkuddar). Sådana fel kan leda till olyckor eller dödsfall. Vi rekommenderar starkt att installationen görs av en utbildad och auktoriserad Alpine-återförsäljare.
- ④ **Ingångsanslutning för direkt CAMERA**
Används när tillvalskameran för direktvisning är ansluten.
- ⑤ **CAN-gränssnittskontakt**
Till CAN-interfacets anslutningsdosa
- ⑥ **AUX-ingångsanslutning**
Ingångsledning för AUX bild-/ljusignal.
 - *Det krävs en AV/RCA-gränssnittskabel (4-polig mini-AV-plug till 3-RCA) (säljs separat). För närmare information om användning av AV/RCA-interfacekabel (4-polig mini-AV-kontakt till 3-RCA-kontakter) se "AV/RCA-interfacekabel (4-polig mini-AV-kontakt till 3 RCA-kontakter)" (sida 7).*
- ⑦ **Ledning för fjärrpåslagning av strömmen (Blå/Vit)**
Anslut denna kabel till anslutningen för fjärrstyrt strömpåslag på förstärkaren eller på en signalprocessor.
- ⑧ **Backkabel (Orange/Vit)**
Anslut till plussidan på bilens backlampor. Dessa lampor tänds när växeln läggs i backläge (R).
Om denna ledning ansluts på rätt sätt kommer videobilden från backkameran att automatiskt visas på skärmen när backväxeln (R) läggs i.
- ⑨ **Handbromskabel (Gul/Blå)**
Anslut den här kabeln till strömförsörjningsdelen av handbromsbrytaren för att sända en statussignal för handbromsen till enheten.
- ⑩ **ISO-Anslutning för strömförsörjning**
- ⑪ **Omkopplingsbar strömkabel (tändning) (Röd)**
Anslut denna kabel till ett ledigt uttag i fordonets säkringsdosa eller till något annat oanvänt strömuttag som ger (+) 12 V bara när tändningen är påslagen eller i läget för strömförsörjning av extrautrustning.
- ⑫ **Jordledning (Svart)**
Anslut denna kabel till ett ställe på bilens underrede som ger bra jordning.
Se till att anslutningen görs mot ren metall och att den är ordentligt fastskruvad med medföljande plåtskruv.
- ⑬ **Motorantenn (Blå)**
Anslut denna kabel till kopplingen +B på en motorantenn, när sådan används.
 - *När bilens backkamera är utrustad med ett elektriskt skyddsvisir ändrar du inställningen för Backkamera visir till På och ansluter den här ledningen till +B-terminalen på backkameran.*
 - *Den här ledningen ska endast användas för att styra bilens elantenn eller backkamerans visir. Använd den inte för att slå på eller stänga av en förstärkare, en signalprocessor eller liknande.*
- ⑭ **Batterikabel (Gul)**
Anslut den här ledningen till den positiva polen (+) på fordonets batteri.
- ⑮ **Säkringshållare (15A)**
- ⑯ **ISO-anslutning (utsignal högtalare)**
- ⑰ **Högtalaranslutning (+) för bakre vänstra högtalaren (Grön)**
- ⑱ **Högtalaranslutning (-) för bakre vänstra högtalaren (Grön/Svart)**
- ⑲ **Högtalaranslutning (+) för främre vänstra högtalaren (Vit)**
- ⑳ **Högtalaranslutning (-) för främre vänstra högtalaren (Vit/Svart)**
- ㉑ **Högtalaranslutning (-) för främre högra högtalaren (Grå/Svart)**
- ㉒ **Högtalaranslutning (+) för främre högra högtalaren (Grå)**
- ㉓ **Högtalaranslutning (-) för bakre högra högtalaren (Violett/Svart)**
- ㉔ **Högtalaranslutning (+) för bakre högra högtalaren (Violett)**
- ㉕ **Utgångsanslutning för fjärrstyrning (Brun) (För DVD-spelare DVE-5300)**
Anslut denna ledning till ingångsledningen för fjärrstyrning. Den här ledningen sänder fjärrstyrningssignalerna från fjärrkontrollen.
- ㉖ **Utgångsanslutning för fjärrstyrning (Brun) (För bakre bildskärm)**
Anslut denna ledning till ingångsledningen för fjärrstyrning. Den här ledningen sänder fjärrstyrningssignalerna från fjärrkontrollen.
- ㉗ **Ingångsanslutning för fjärrstyrning (Brun)**
Anslut den externa Alpine-produkten till utgångsledningen för fjärrstyrning.

- ②8 **Utgångsanslutning för fjärrstyrning (Brun)**
Anslut denna ledning till ingångsledningen för fjärrstyrning. Den här ledningen sänder fjärrstyrningssignalerna från fjärrkontrollen.
- ②9 **Ingångsanslutning för DVD-styrning (Röd/Vit) (För DVD-spelare DVE-5300)**
Anslut DVD-spelaren DVE-5300 till fjärrstyrningens utgångsanslutning.
- ③0 **Anslutning till rattstyrningsinterfacet**
Till gränssnittsboxen för fjärrstyrning.
För ytterligare information om anslutningar, rådfråga närmaste Alpine-återförsäljare.
- ③1 **Ingångsanslutning för mikrofon**
Till mikrofon (Medföljer)
- När den medföljande mikrofonen används ska du ställa in Mikrofon till "Add-on". Se "Ställa in mikrofonval" i bruksanvisningen (CD-ROM) för ytterligare information.
- ③2 **RCA-kontakter för subwoofer**
RÖD kontakt är för höger kanal och VIT kontakt är för vänster kanal.
- ③3 **RCA-kontakter för främre utsignal**
RCA-kontakterna kan användas för främre utsignal. RÖD kontakt är för höger kanal och VIT kontakt är för vänster kanal.
- ③4 **RCA-kontakter för bakre utsignal**
RCA-kontakterna kan användas för bakre utsignal. RÖD kontakt är för höger kanal och VIT kontakt är för vänster kanal.
- ③5 **Anslutning för GPS-antenn**
Anslut GPS-antennen här (Medföljer).
- ③6 **Anslutning för CAN I/F**
- ③7 **USB-kontakt**
Till USB-minne, iPod/iPhone eller Android-smartphone.
- ③8 **Ingångsanslutning för HDMI**
- ③9 **Utgångsanslutning för HDMI**
- ④0 **Anslutning för strömförsörjning**
- ④1 **W.REMOTE-anslutning**
- ④2 **PRE OUT-anslutning**
- ④3 **DAB-antenngång**
Till DAB-antenn (säljs separat).

AV/RCA-interfacekabel (4-polig mini-AV-kontakt till 3 RCA-kontakter)

Kopplingskonfiguration för detta system är som följer:

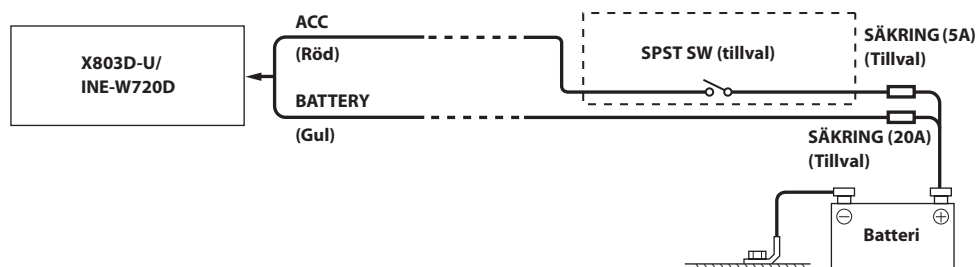


- Konfiguration för kommersiellt tillgängliga 4-poliga mini-AV-kontakter är inte standardiserad.



Om du inte kan ta ström från tändningslåset

Kopplingsschema för SPST-brytare (säljs separat)



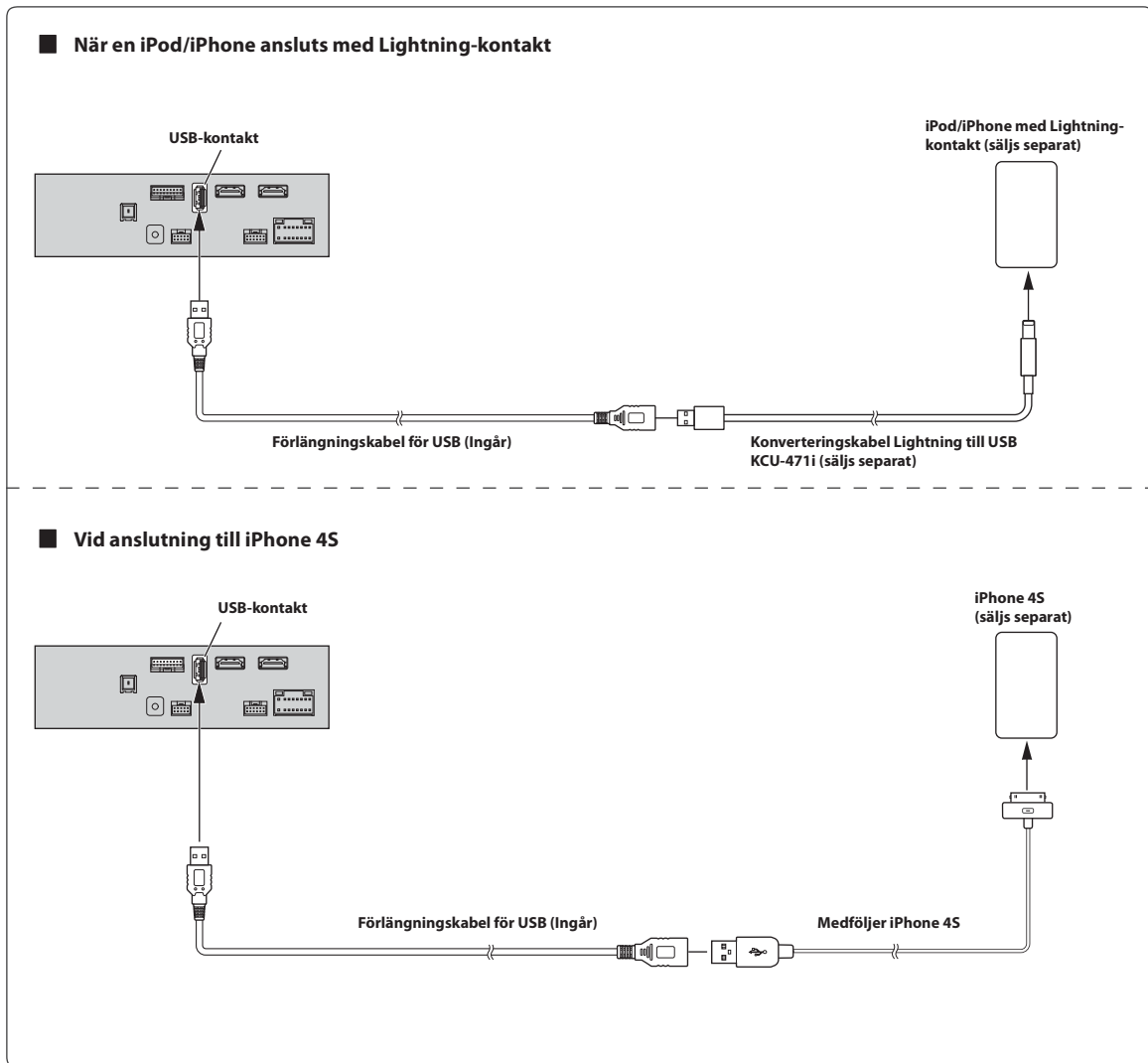
- Om du inte kan ta ström direkt från ditt fordons tändningslås, bör du montera en SPST-brytare (enpolig, envägs) (säljs separat) och en säkring (säljs separat).
- Kopplingsschemat och säkringsstyrkan som visas ovan gäller när enheten används individuellt.
- Om enhetens strömkabel (tändning) ansluts direkt till fordonsbatteriets pluspol (+) drar enheten ström (åtskilliga hundra milliampere) även då strömbrytaren är avstängd (OFF). Det kan orsaka att batteriet laddas ur.

Hindra externt brus från att tränga in i ljudsystemet.

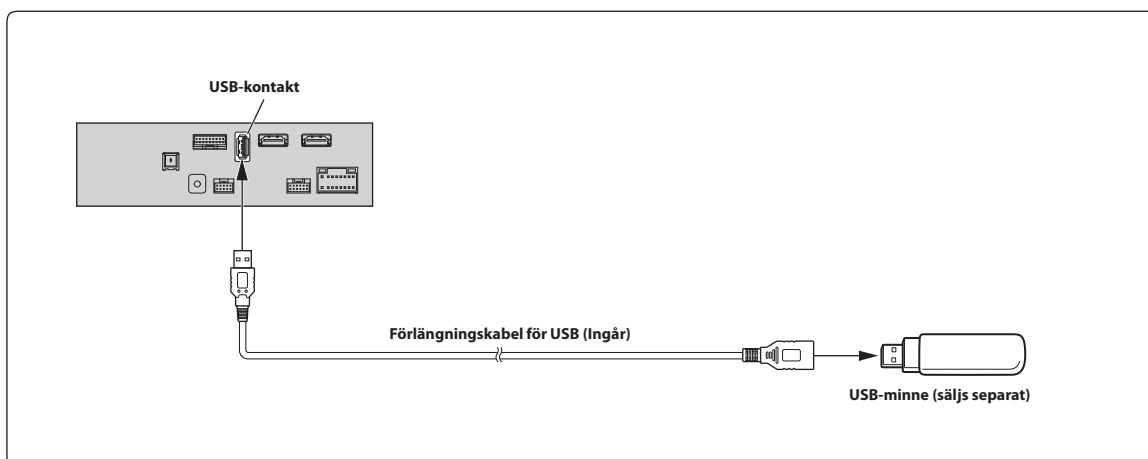
- Placera enheten på plats och dra kablarna på ett avstånd av minst 10 cm från bilens kabelnät.
- Se till att kablarnas avstånd till andra kablar är så stort som möjligt.
- Anslut jordledningen ordentligt till något ställe på bilens chassi, där metallen är ren och oskyddad (ta om nödvändigt bort färg, smuts eller fett).
- När anläggningen utökas med en störningsdämpare bör den anslutas så långt bort från enheten som möjligt. Din Alpine-återförsäljare har olika störningsdämpare, kontakta dem för ytterligare detaljer.
- Din Alpine-återförsäljare vet bäst om störningsundertryckning, så kontakta återförsäljaren för ytterligare information.

Systemexempel

Anslutning av en iPod/iPhone

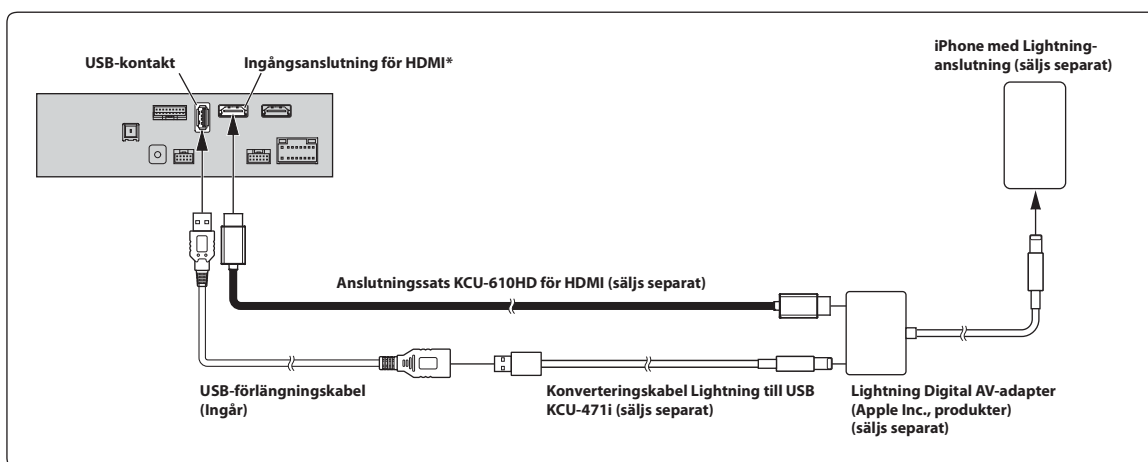


Ansluta ett USB-minne



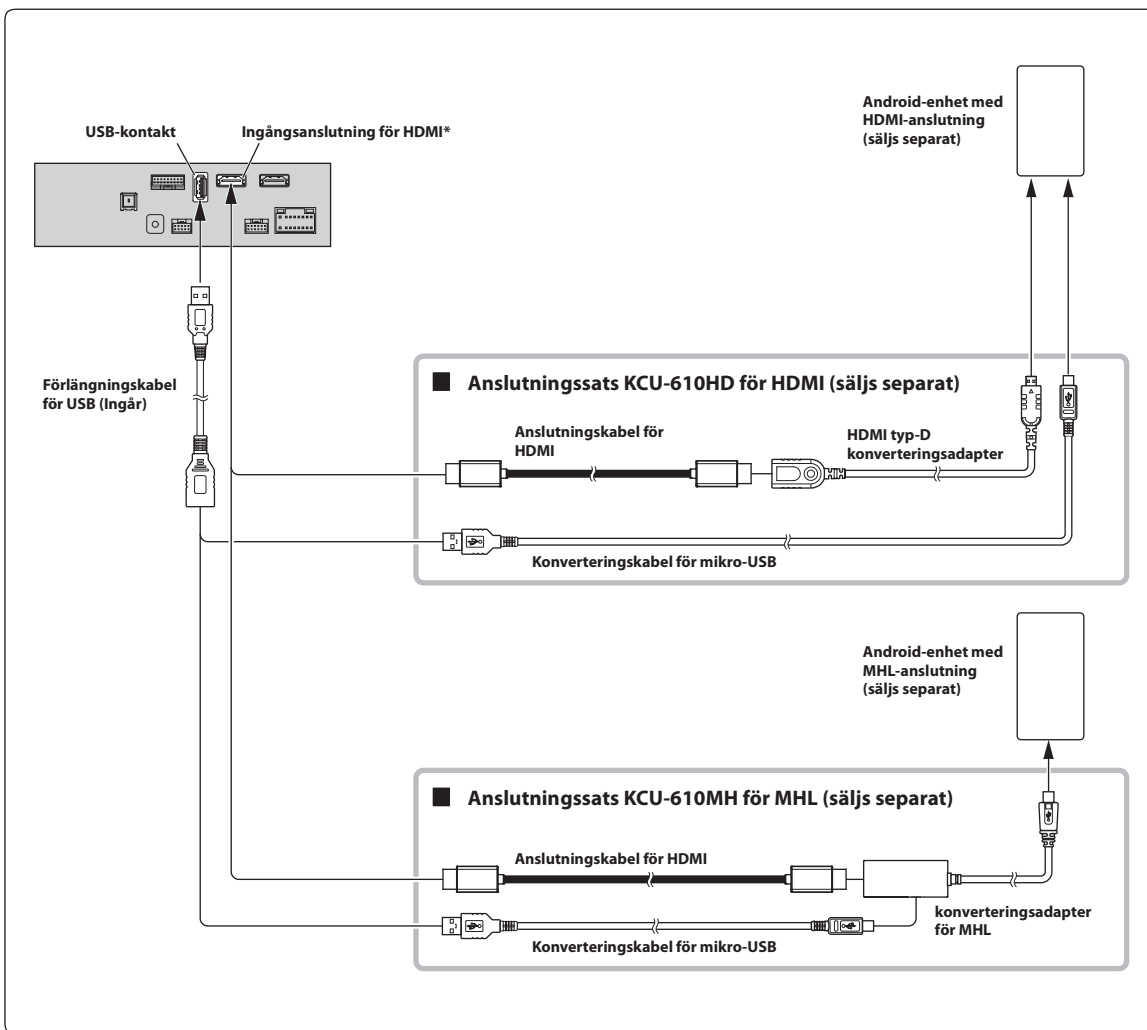
- Lämna inte USB-minnet i fordonet under lång tid. Värme och fukt kan skada USB-minnet.

Ansluta en HDMI-enhet (iPhone med Lightning-anslutning)



- * Se till att fixera HDMI-kabeln ordentligt med hjälp av den medföljande fästkonsolen för HDMI. För ytterligare information om hur den sätts fast, se "Att notera vid användning av anslutningskablar för HDMI" (sida 4).
- Ställ in HDMI-inställningarna till "HDMI". Se "HDMI-inställning" i bruksanvisningen (CD-ROM) för ytterligare information.

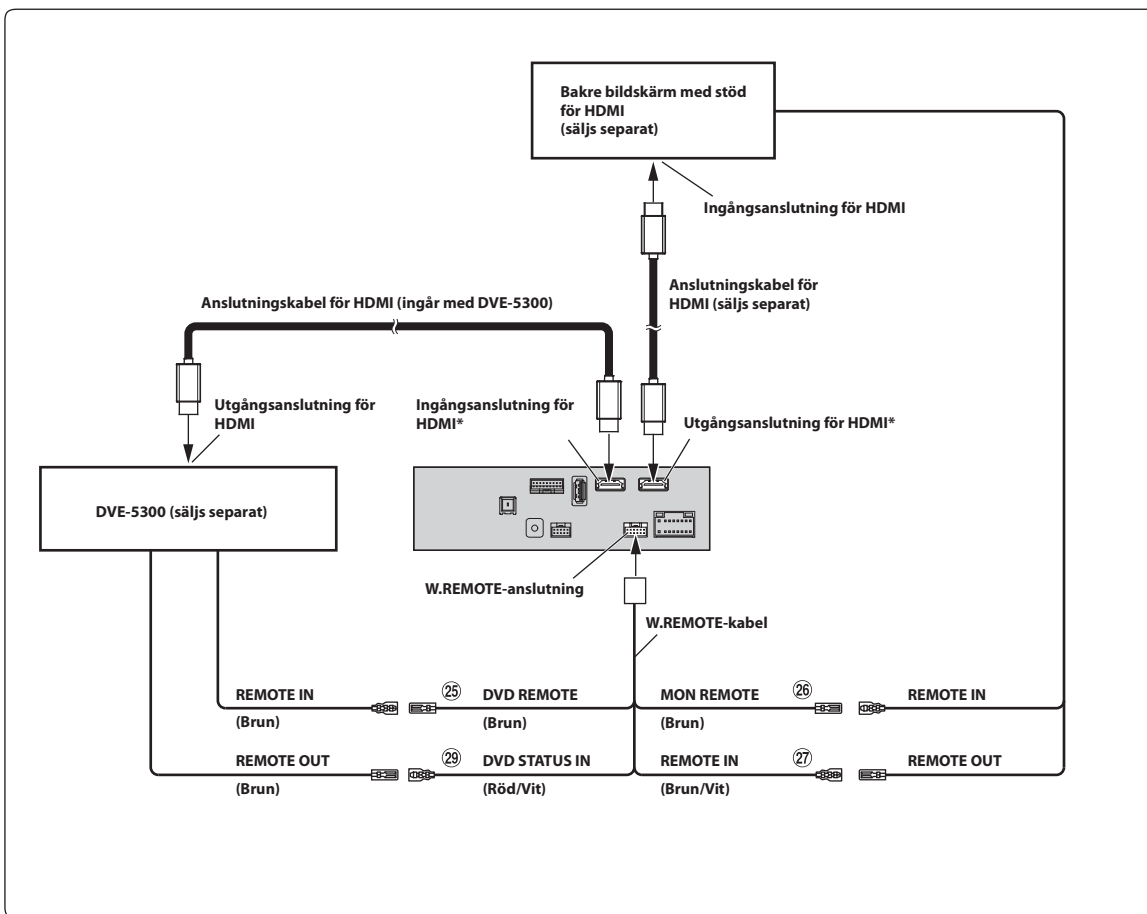
Ansluta en HDMI-enhet (Android-enhet)



- Du behöver en anslutningsatts eller adaptersats som passar till den anslutna enhetens anslutningar.
- Ställ in HDMI-inställningarna till "HDMI". Se "HDMI-inställning" i bruksanvisningen (CD-ROM) för ytterligare information.

* Se till att fixera HDMI-kabeln ordentligt med hjälp av den medföljande fästkonsolen för HDMI. För ytterligare information om hur den sätts fast, se "Att notera vid användning av anslutningskablar för HDMI" (sida 4).

Ansluta en DVE-5300 och en bakre bildskärm med stöd för HDMI



②⑤ Utgångsanslutning för fjärrstyrning (Brun) (För DVD-spelare DVE-5300)

②⑦ Ingångsanslutning för fjärrstyrning (Brun) (För bakre bildskärm)

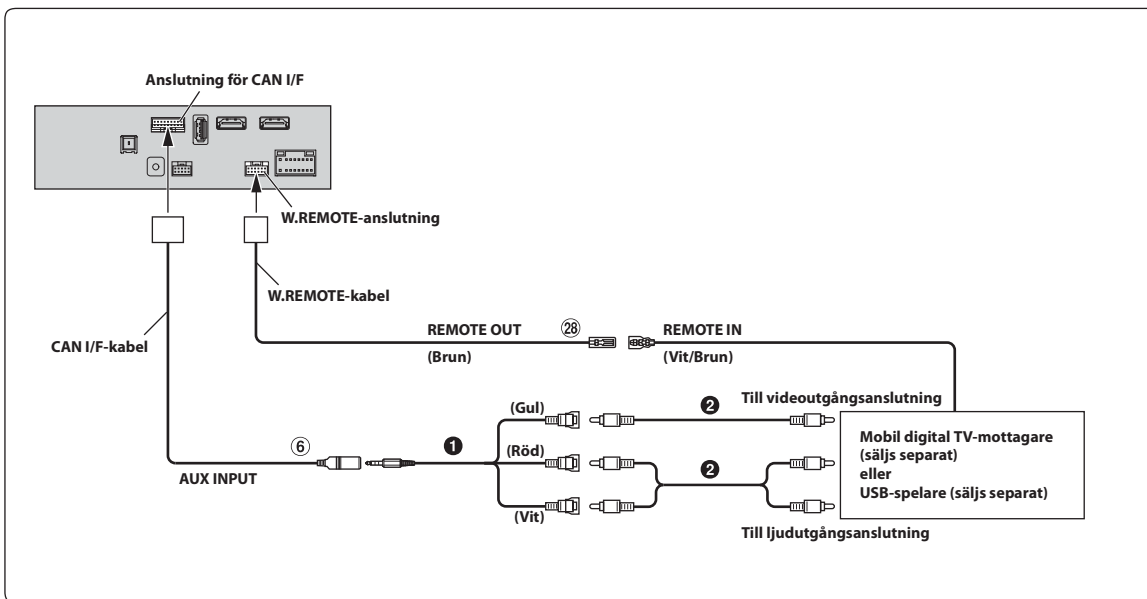
②⑥ Utgångsanslutning för fjärrstyrning (Brun) (För bakre bildskärm)

②⑨ Ingångsanslutning för DVD-styrning (Röd/Vit) (För DVD-spelare DVE-5300)

* Se till att fixera HDMI-kabeln ordentligt med hjälp av den medföljande fästkonsolen för HDMI. För ytterligare information om hur den sätts fast, se "Att notera vid användning av anslutningskablar för HDMI" (sida 4).

• Ställ in HDMI-inställningarna till "DVD". Se "HDMI-inställning" i bruksanvisningen (CD-ROM) för ytterligare information.

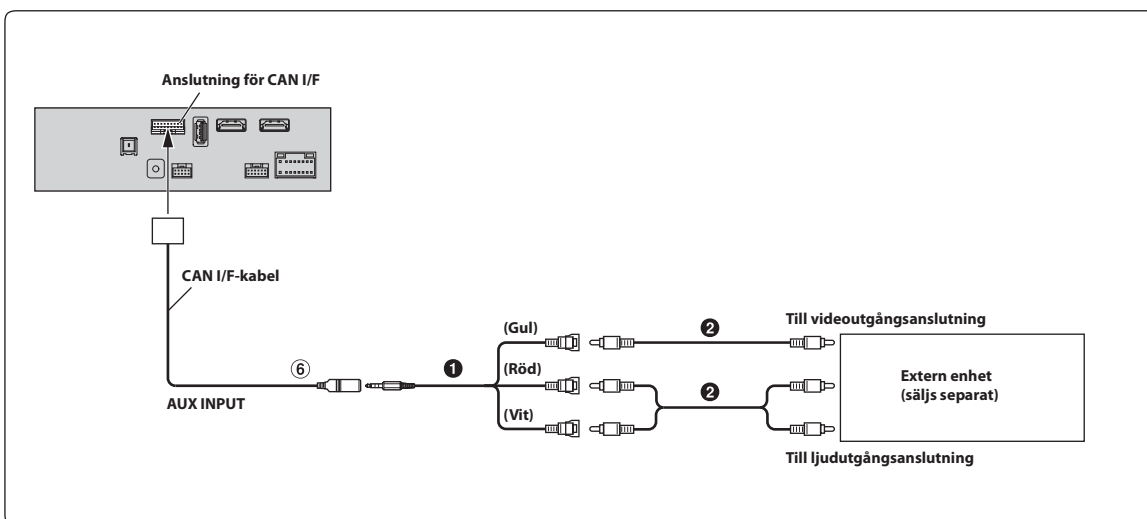
Ansluta en mobil digital TV-mottagare eller USB-spelare



- ⑥ **AUX-ingångsanslutning**
- ②⑧ **Utgångsanslutning för fjärrstyrning (Brun)**
- ① **AV/RCA-interfacekabel (4-polig mini-AV-kontakt till 3 RCA-kontakter) (säljs separat)**
- ② **RCA-förlängningskabel (säljs separat)**

- För närmare information om användning av AV/RCA-interfacekabel (4-polig mini-AV-kontakt till 3-RCA-kontakter) se "AV/RCA-interfacekabel (4-polig mini-AV-kontakt till 3 RCA-kontakter)" (sida 7).
- Ställ in AUX-namnet till "DVB-T" eller "USB Spelare". Se "Ställa in AUX-namn" i bruksanvisningen (CD-ROM) för ytterligare information.

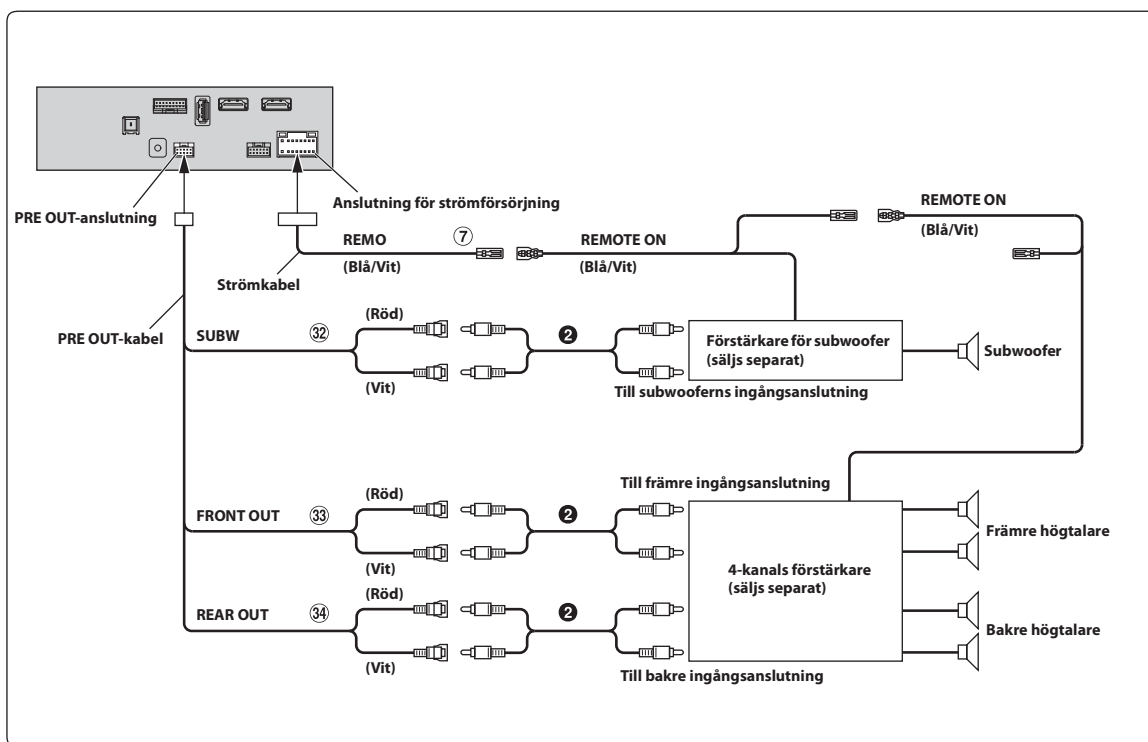
Anslutning av en extern enhet



- ⑥ **AUX-ingångsanslutning**
- ① **AV/RCA-interfacekabel (4-polig mini-AV-kontakt till 3 RCA-kontakter) (säljs separat)**
- ② **RCA-förlängningskabel (säljs separat)**

- Du kan byta namn på en extern enhet. Se "Ställa in AUX-namn" i bruksanvisningen (CD-ROM) för ytterligare information.
- För närmare information om användning av AV/RCA-interfacekabel (4-polig mini-AV-kontakt till 3-RCA-kontakter) se "AV/RCA-interfacekabel (4-polig mini-AV-kontakt till 3 RCA-kontakter)" (sida 7).

Anslutning av en extern förstärkare



⑦ Ledning för fjärrpåslagning av strömmen (Blå/Vit)

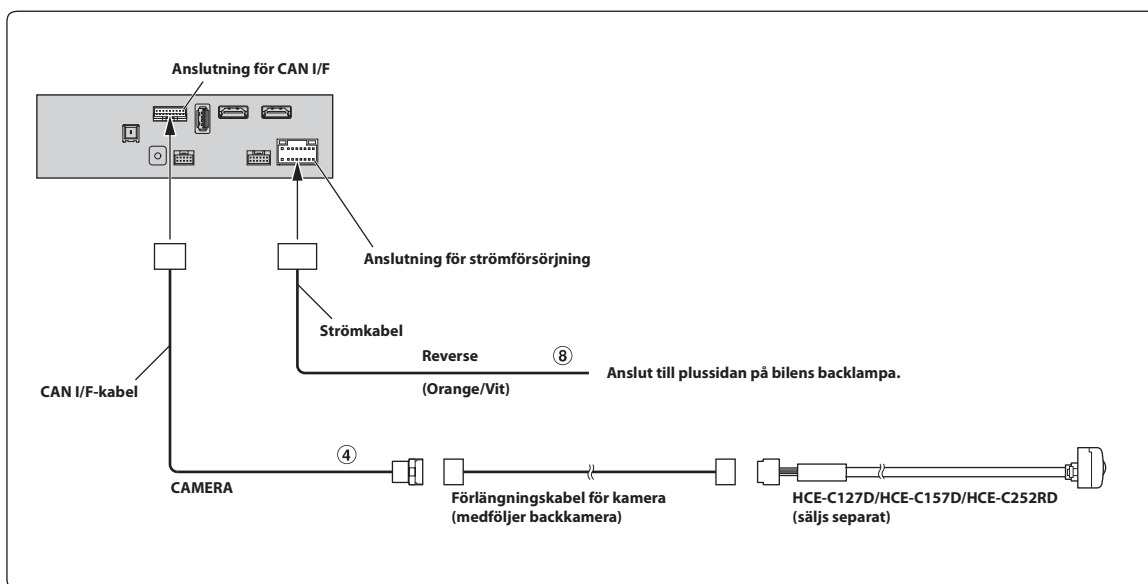
② RCA-förlängningskabel (säljs separat)

③② RCA-kontakter för subwoofer

③③ RCA-kontakter för främre utsignal

③④ RCA-kontakter för bakre utsignal

Anslutning av backkamera

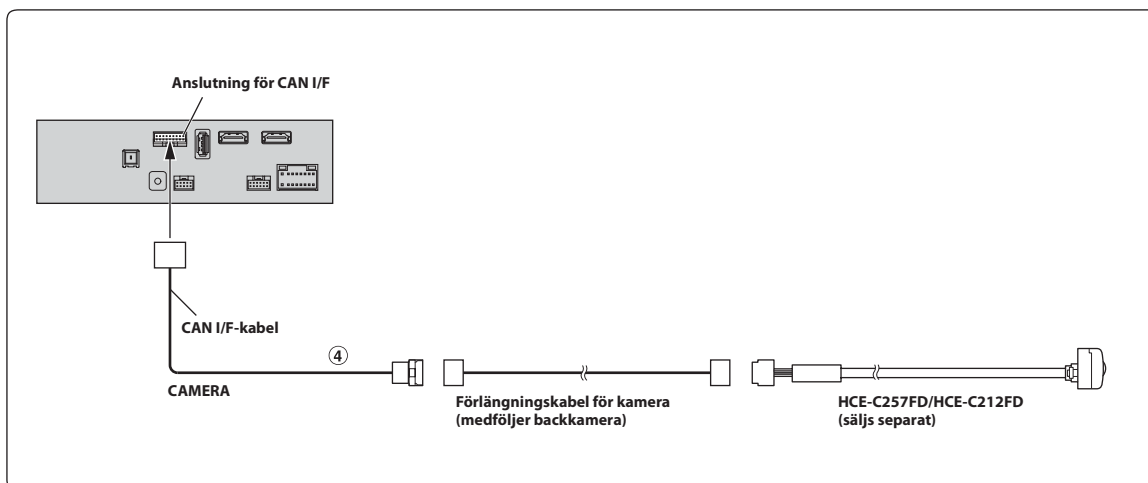


④ Ingångsanslutning för direkt CAMERA

⑧ Backkabel (Orange/Vit)

- Ställ in kameraväljaren till "Bak". Se "Ställa in kameraingången" i bruksanvisningen (CD-ROM) för ytterligare information.

Anslutning av frontkamera



④ Ingångsanslutning för direkt CAMERA

- Ställ in kameraväljaren till "Fram". Se "Ställa in kameraingången" i bruksanvisningen (CD-ROM) för ytterligare information.

Inhoud

WAARSCHUWING	2
OPGELET	2
Voorzorgsmaatregelen	3
Accessoirelijst	3
Installatie	3
Waarschuwing betreffende de plaats van installatie	3
De GPS-antenne in het voertuig bevestigen	3
Montage van de Microfoon	4
Installatievoorbeeld met de originele montagebeugel	4
Aansluitingen	5
Als er geen ACC-stroomvoorziening beschikbaar is	8
Systeemvoorbeeld	9



WAARSCHUWING

Dit symbool wijst op belangrijke instructies. Het negeren van deze instructies kan ernstige verwondingen of de dood tot gevolg hebben.

DEMONTTEER OF WIJZIG HET TOESTEL NIET.

Indien u dit wel doet, kan dit leiden tot een ongeval, brand of elektrocutie.

HOUD KLEINE VOORWERPEN ZOALS SCHROEVEN BUITEN HET BEREIK VAN KINDEREN.

Wanneer deze worden ingeslikt, kan dit leiden tot ernstige verwondingen. Contacteer in dit geval onmiddellijk een dokter.

GEbruik DE CORRECTE AMPÈREWAARDE BIJ HET VERVANGEN VAN DE ZEKERINGEN.

Doet u dit niet, dan kan dit leiden tot brand of elektrocutie.

BLOkkeer DE VERLUCHTINGSOPENINGEN OF RADIATORPANELEN NIET.

Indien u dit wel doet, kan het toestel binnenin erg warm worden en zo brand veroorzaken.

GEbruik DIT PRODUCT VOOR MOBIËLE 12V-TOEPASSINGEN.

Gebruik voor andere toepassingen kan leiden tot brand, elektrocutie of andere verwondingen.

SLUIT ALLES CORRECT AAN.

Zaken verkeerd aansluiten, kan vuur of schade aan het product veroorzaken.

ENKEL TE GEbruIKEN IN AUTO'S MET EEN NEGATIEVE AARDING VAN 12 V.

(Contacteer bij twijfel uw dealer.) Indien u deze instructie niet opvolgt, kan dit leiden tot brand enz.

VERWIJDER DE KABEL VAN DE NEGATIEVE BATTERIJAANSLUITING VOOR U HET TOESTEL AANSLUIT.

Doet u dit niet, dan kan dit leiden tot elektrocutie of letsels ten gevolge van kortsluitingen.

LET OP DAT ER GEEN KABELS VERSTRIKT GERAKEN IN VOORWERPEN IN DE BUURT.

Orden de kabels volgens de handleiding om obstructies tijdens het rijden te voorkomen. Kabels die een obstructie vormen of worden opgehangen op plaatsen zoals het stuur, de versnellingspook, rempedalen enz. kunnen uiterst gevaarlijk zijn.

SPLITS GEEN ELEKTRISCHE KABELS.

Snijdt nooit de kabelisolatie weg om stroom te voorzien voor een ander apparaat. Wanneer u dit wel doet, zal de stroomcapaciteit van de kabel overschreden worden, wat kan leiden tot brand of elektrocutie.

BESCHADIG GEEN BUIZEN OF KABELS TIJDENS HET BOREN VAN GATEN.

Neem uw voorzorgen tijdens het boren van gaten in het chassis voor de installatie, zodat u geen buizen, brandstofvoeren, brandstoftanks of elektrische bedradingen raakt, beschadigt of blokkeert. Zoniet kan dit leiden tot brand.

GEbruik GEEN BOUTEN OF MOEREN IN DE REM- OF STUURRICHTING OM EEN AARDING TE MAKEN.

Bouten of moeren die worden gebruikt in de rem- of stuurinrichting (of een ander veiligheidssysteem) of tanks mogen NOOIT gebruikt worden voor installaties of als aardverbinding. Het gebruik van dergelijke onderdelen kan leiden tot een controleverlies over de auto en brand enz. veroorzaken.

INSTALLEER NIET OP LOCATIES DIE HET BESTUREN VAN UW VOERTUIG KUNNEN HINDEREN, ZOALS HET STUUR OF DE VERSNELLINGSPOOK.

Wanneer u dit doet, kan dit uw gezichtsvermogen of uw bewegingen belemmeren met ernstige ongevallen tot gevolg.

INSTALLEER HET SCHERM NIET IN DE BUURT VAN DE PASSAGIERSAIRBAG.

Als het toestel niet correct geïnstalleerd is, is het mogelijk dat de airbag niet correct functioneert. Wanneer de airbag wordt geactiveerd, kan deze ervoor zorgen dat het scherm omhoog wordt geworpen met een ongeval en verwondingen tot gevolg.



OPGELET

Dit symbool wijst op belangrijke instructies. Het negeren van deze instructies kan verwondingen of materiële schade tot gevolg hebben.

LAAT DE AANSLUITING EN INSTALLATIE UITVOEREN DOOR DESKUNDIGEN.

De aansluiting en installatie van dit toestel vereist specifieke technische kennis en ervaring. Contacteer voor uw eigen veiligheid steeds de dealer waar u dit product hebt gekocht om de installatie te laten uitvoeren.

GEbruik GESPECIFICEERDE ACCESSOIRES EN INSTALLEER ZE OP DE JUISTE MANIER.

Zorg ervoor dat u enkel de gespecificeerde accessoires gebruikt. Gebruik van andere dan de genoemde onderdelen kunnen interne schade veroorzaken aan het toestel of zorgen mogelijk voor een slechte installatie van het toestel. Daardoor kunnen onderdelen loskomen, met gevaren of storingen tot gevolg.

SCHIK DE KABELS ZODAT ZE NIET GEKNELD ZITTEN OF GEKNEPEN WORDEN DOOR EEN SCHERPE METALEN KANT.

Leid de kabels en bedrading weg van bewegende onderdelen (zoals de zetelrails) of scherpe of puntige kanten. Zo vermijdt u knelpunten en schade aan de bedrading. Wanneer de kabels door een metalen gat lopen, gebruik dan een rubberen ring om te voorkomen dat de kabelisolatie doorgesneden wordt door de metalen rand van het gat.

INSTALLEER NIET OP PLAATSEN MET VEEL VOCHT OF STOF.

Vermijd installatie van het toestel op plaatsen waar veel vocht of stof aanwezig is. Wanneer er vocht of stof terechtkomt in het toestel, kan dit storingen veroorzaken.

Voorzorgsmaatregelen

- Zorg ervoor dat u de kabel verwijderd van de negatieve accuaansluiting (-) voordat u het toestel installeert. Dit verkleint de kans op schade aan het toestel bij een kortsluiting.
- Zorg ervoor dat u de kleurgecodeerde draden aansluit volgens het diagram. Foute aansluitingen kunnen storingen veroorzaken in het toestel of schade teweegbrengen aan het elektrische systeem van de auto.
- Tijdens het aansluiten op het elektrische systeem van de auto dient u op te letten voor componenten die in de fabriek werden geïnstalleerd (bijvoorbeeld boordcomputer). Maak geen aftakkingen in deze kabels om stroom te voorzien voor dit toestel. Zorg er bij het aansluiten van het toestel op de zekeringkast voor dat de zekering die bedoeld is voor het toestel de juiste stroomsterkte heeft. Contacteer bij twijfel uw Alpine-dealer.
- Het toestel maakt gebruik van vrouwelijke RCA-aansluitingen voor verbinding met andere apparaten (bijvoorbeeld versterker) met RCA-aansluitingen. U hebt mogelijk een adapter nodig om andere apparaten aan te sluiten. Contacteer in dat geval uw bevoegde Alpine-verdeler voor hulp.
- Zorg ervoor dat u de (-) luidsprekerkabel aansluit op de (-) luidsprekeraansluiting. Verbind nooit de kabels van het linkse en het rechtse luidsprekerkanaal met elkaar of met de carrosserie van het voertuig.

Accessoirelijst

• X803D-U of W720D	1
• Stroomkabel	1
• GPS-antenne	1
• Montageplaat voor de antenne.....	1
• Kabelklem voor antenne	1 set
• USB-verlengkabel	1
• PRE OUT-kabel.....	1
• Microfoon.....	1
• CAN I/F-kabel.....	1
• W.REMOTE-kabel	1
• Frontplaat (alleen INE-W720D).....	1
• HDMI-bevestigingsbeugel.....	1
• Verzonken schroef (M5x8).....	4
• Schroef (M5x8)	4
• Gebruiksaanwijzing.....	1 set

Installatie

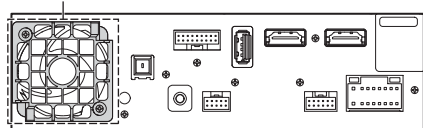
Gebruikers van de X803D-U
Raadpleeg de handleiding die geleverd is bij de
afzonderlijk gekochte installatiekit voor elk wagentype
om de X803D-U te installeren.

Opgelet

Blokkeer de ventilator van het toestel niet. Doet u dit wel, dan wordt de luchtcirculatie onderbroken. Wanneer de afvoer geblokkeerd is, zal de warmte binnen het toestel zich ophopen en zo mogelijk brand veroorzaken.

<voorbeeld>

Ventilatieopening

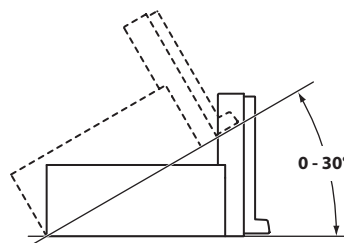


Achterzijde van het toestel

Waarschuwing betreffende de plaats van installatie

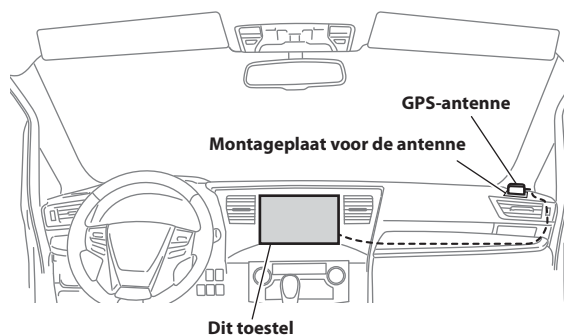
Installatiehoek

Installeer het toestel horizontaal of in een hoek van maximaal 30°. Houd er rekening mee dat wanneer u het toestel onder een andere invalshoek installeert, de prestaties zullen verminderen en er mogelijk schade zal kunnen optreden.



De GPS-antenne in het voertuig bevestigen

- 1 Reinig de montageplaats.
- 2 Bevestig de montageplaat voor de GPS-antenne.
- 3 Plaats de GPS-antenne.



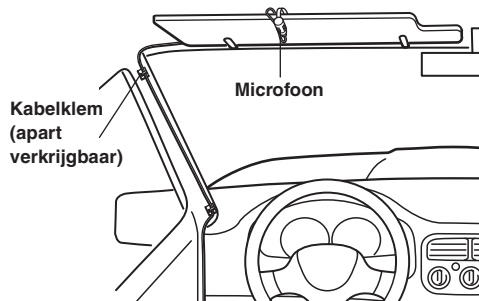
- Monteer de GPS-antenne niet in de middenconsole.
 - Monteer de GPS-antenne op een vlakke ondergrond op het dashboard of de hoedenplank.
 - Zorg ervoor dat de GPS-antenne niet gehinderd wordt door een metalen oppervlak of voorwerp.
- Als de GPS-antenne in de buurt van het toestel gemonteerd is, zal de ontvangst slecht zijn en wordt de locatie van uw voertuig mogelijk niet correct weergegeven.
 - Monteer de GPS-antenne ver genoeg van het toestel.
 - Leid de GPS-antennekabel weg van de achterkant van het toestel.
- Sommige warmtereflecterende of warmteabsorberende types beglazing kunnen hoogfrequente golven tegenhouden. Als de ontvangst slecht is wanneer de antenne in het voertuig geïnstalleerd is, kunt u dit oplossen door de antenne aan de buitenkant van het voertuig te bevestigen.

Montage van de Microfoon

Voor veilig gebruik, zorg er voor dat:

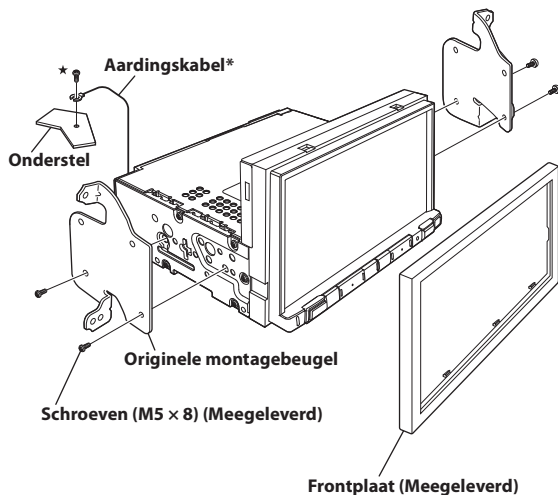
- de locatie stevig en stabiel is;
- het zicht en de bediening van de bestuurder niet belemmerd worden;
- de microfoon zo geplaatst wordt dat deze de stem van de bestuurder goed kan registreren (bv. op de zonneklep).

Wanneer je in de microfoon spreekt, zou het niet nodig moet zijn om van rijhouding te wisselen. Dit zou er voor kunnen zorgen dat u afgeleid wordt, zodat uw aandacht om het voertuig veilig te besturen vermindert. Wanneer u de microfoon installeert, moet u rekening houden met zowel de afstand als de directie van de microfoon. Bevestig dat de stem van de bestuurder makkelijk te horen is vanaf de gekozen locatie.



Installatievoorbeeld met de originele montagebeugel

- 1 Monteer de originele montagebeugel met behulp van de meegeleverde schroeven aan het toestel.



* Om de aardingskabel stevig te bevestigen, gebruikt u een al aanwezige schroef op een metalen onderdeel van het voertuig (gemarkeerd met (★)) of een proper metalen punt op het chassis van het voertuig.

- 2 Verbind alle andere kabels van het toestel overeenkomstig de details onder "Aansluitingen" (pagina 5).

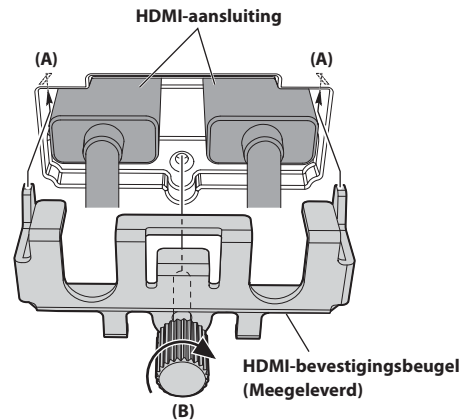
- 3 Monteer het toestel in een auto.

- Sluit de kabels voorzichtig aan. Zorg ervoor dat deze niet beschadigd raken door ze tussen bewegende onderdelen te klemmen (bijvoorbeeld een zetelrail) of door ze tegen scherpe of puntige randen te leggen.

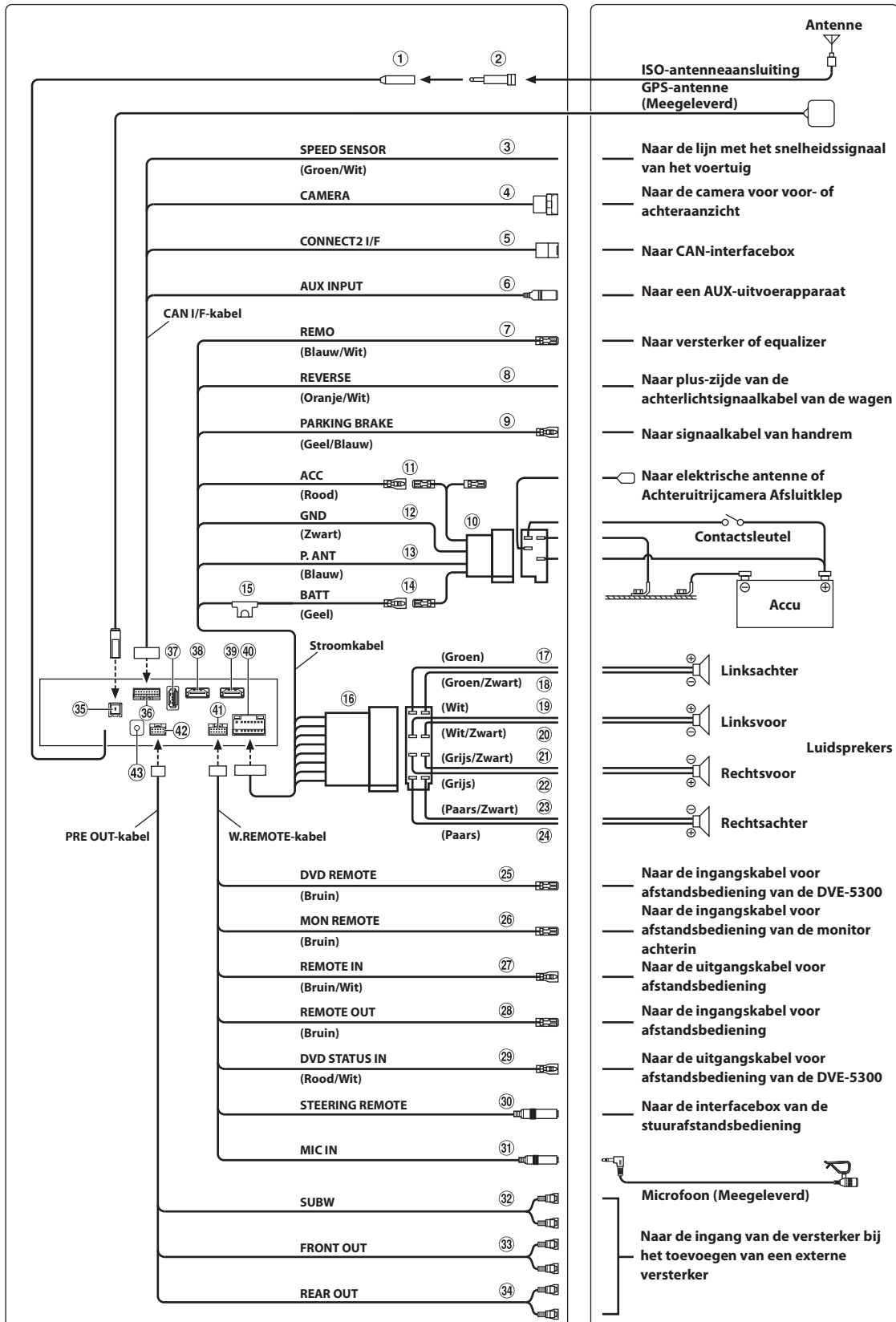
Opmerking bij het gebruik van HDMI-kabels

Wanneer u HDMI-kabels gebruikt, maakt u de kabels vast in de HDMI-aansluitingen met behulp van de bijgeleverde HDMI-bevestigingsbeugel.

- 1 Schuif de HDMI-bevestigingsbeugel in de groeven (A).
- 2 Bevestig de beugel met de schroef (B).



Aansluitingen

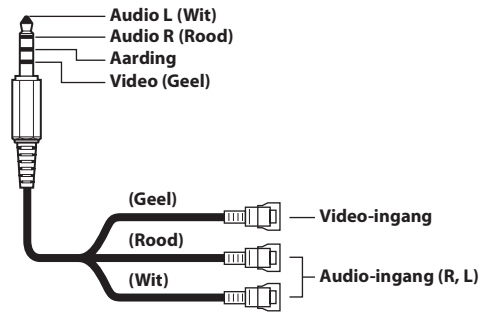


- ① **Radioantenneaansluiting**
- ② **ISO/JASO-antenneadapter (apart verkrijgbaar)**
Afhankelijk van het voertuig hebt u mogelijk een ISO/JASO-antenneadapter nodig.
- ③ **Snelheidssensorkabel (Groen/Wit)**
Door een verkeerde aansluiting van de snelheidssignaalkabel kunnen belangrijke veiligheidsfuncties (zoals remmen of airbags) worden verstoord. Dat kan leiden tot al dan niet dodelijke ongevallen. Wij raden ten zeerste aan de installatie over te laten aan een erkende Alpine-verdeler die daartoe speciaal opgeleid is.
- ④ **Rechtstreekse CAMERA-ingang**
Gebruik dit wanneer de optionele rechtstreekse camera aangesloten is.
- ⑤ **CAN-interfaceaansluiting**
Naar CAN-interfacebox
- ⑥ **AUX-ingangsaansluiting**
Ingangskabel voor het AUX-video/audio-signaal.
- Hiervoor hebt u een apart verkrijgbare AV/RCA-interfacekabel (vierpolige mini-AV-stekker naar 3-RCA) nodig. Raadpleeg "Bruikbare AV/RCA-interfacekabel (vierpolige mini-AV-stekker naar 3-RCA)" (pagina 7) voor meer informatie over het gebruik van een AV/RCA-interfacekabel (vierpolige mini-AV-stekker naar 3-RCA).
- ⑦ **Kabel afstandschakeling (Blauw/Wit)**
Sluit deze kabel aan op de kabel voor afstandschakeling van uw versterker of signaalprocessor.
- ⑧ **Achteruitrijcamera (Oranje/Wit)**
Verbind deze kabel met de pluskant van de achteruitrijlichten van de auto. Deze lichten gaan branden wanneer u de wagen in achteruit (R) zet.
Wanneer deze verbinding correct is uitgevoerd, schakelt het videobeeld automatisch over naar de achteruitrijcamera wanneer u de wagen in zijn achteruit (R) zet.
- ⑨ **Handremkabel (Geel/Blauw)**
Sluit deze kabel aan op de stroomvoorzieningszijde van de handrem om statussignalen van de handrem naar het toestel te sturen.
- ⑩ **ISO-aansluiting voor de stroomvoorziening**
- ⑪ **Geschakelde stroomkabel (Ontsteking) (Rood)**
Sluit deze kabel aan op een vrije aansluiting in de zekeringkast van het voertuig of op een andere ongebruikte voedingsbron die enkel (+) 12 V levert wanneer de motor aan is of de sleutel in de contactpositie staat.
- ⑫ **Aardingskabel (Zwart)**
Sluit deze kabel aan op een goede chassisaarding in het voertuig.
Zorg ervoor dat de verbinding enkel metaal raakt en stevig is vastgemaakt door middel van de meegeleverde metalen schroef.
- ⑬ **Kabel elektrische antenne (Blauw)**
Sluit deze kabel aan op de +B-aansluiting van uw elektrische antenne, indien van toepassing.
- Wanneer de achteruitrijcamera van uw auto is uitgerust met een elektrische beschermkap, moet u de instelling van de Achteruitrijcamera Afsluitklep op On zetten en deze kabel aansluiten op de +B-aansluiting van uw achteruitrijcamera.
 - Deze kabel mag alleen worden gebruikt voor het bedienen van de motorantenne van de auto of de afsluitklep van de achteruitrijcamera. Gebruik deze kabel niet om een versterker, signaalprocessor enz. in te schakelen.
- ⑭ **Accukabel (Geel)**
Sluit deze kabel aan op de positieve (+) aansluiting van de accu van het voertuig.
- ⑮ **Zekeringsklem (15 A)**
- ⑯ **ISO-aansluiting (luidsprekeruitvoer)**
- ⑰ **Kabel luidsprekeruitvoer linksachter (+) (Groen)**
- ⑱ **Kabel luidsprekeruitvoer linksachter (-) (Groen/Zwart)**
- ⑲ **Kabel luidsprekeruitvoer linksvoor (+) (Wit)**
- ⑳ **Kabel luidsprekeruitvoer linksvoor (-) (Wit/Zwart)**
- ㉑ **Kabel luidsprekeruitvoer rechtsvoor (-) (Grijs/Zwart)**
- ㉒ **Kabel luidsprekeruitvoer rechtsvoor (+) (Grijs)**
- ㉓ **Kabel luidsprekeruitvoer rechtsachter (-) (Paars/Zwart)**
- ㉔ **Kabel luidsprekeruitvoer rechtsachter (+) (Paars)**
- ㉕ **Uitgangskabel voor afstandbediening (Bruin) (voor DVD-speler DVE-5300)**
Verbind deze kabel met de ingangskabel van de afstandbediening. Deze kabel voert de bedieningssignalen uit naar de afstandbediening.
- ㉖ **Uitgangskabel voor afstandbediening (Bruin) (voor monitor achterin)**
Verbind deze kabel met de ingangskabel van de afstandbediening. Deze kabel voert de bedieningssignalen uit naar de afstandbediening.
- ㉗ **Ingangskabel voor afstandbediening (Bruin/Wit)**
Sluit het externe Alpine-product aan op de uitgangskabel voor afstandbediening.

- ②8 **Uitgangskabel voor afstandsbediening (Bruin)**
Verbind deze kabel met de ingangskabel van de afstandsbediening. Deze kabel voert de bedieningssignalen uit naar de afstandsbediening.
- ②9 **Ingangskabel voor DVD-bediening (Rood/Wit) (voor DVD-speler DVE-5300)**
Sluit de DVD-speler DVE-5300 aan op de uitgangskabel voor afstandsbediening.
- ③0 **Aansluiting interface stuurafstandsbediening**
Naar de interfacebox van de stuurafstandsbediening. Contacteer uw dichtstbijzijnde Alpine-verdeler voor meer informatie over de aansluitingen.
- ③1 **MIC-ingang**
Naar de microfoon (Meegeleverd)
- *Stel Microfoon selecteren in op "Add-on" wanneer u de bijgeleverde microfoon gebruikt. Raadpleeg "De microfoonselectie instellen" in de GEBRUIKSAANWIJZING (CD-ROM) voor meer informatie.*
- ③2 **RCA-aansluitingen subwoofer**
ROOD is rechts en WIT is links.
- ③3 **RCA-aansluitingen uitvoer vooraan**
Deze kunnen gebruikt worden als RCA-aansluitingen voor uitvoer vooraan. ROOD is rechts en WIT is links.
- ③4 **RCA-aansluitingen uitvoer achteraan**
Deze kunnen gebruikt worden als RCA-aansluitingen voor uitvoer achteraan. ROOD is rechts en WIT is links.
- ③5 **GPS-antenneaansluiting**
Sluit de GPS-antenne aan (Meegeleverd).
- ③6 **CAN I/F-aansluiting**
- ③7 **USB-aansluiting**
Voor het aansluiten van een USB-flashstation, iPod/iPhone of Android smartphone.
- ③8 **HDMI-ingang**
- ③9 **HDMI-uitgang**
- ④0 **Aansluiting stroomvoorziening**
- ④1 **W.REMOTE-aansluiting**
- ④2 **PRE OUT-aansluiting**
- ④3 **DAB-antenneaansluiting**
Naar DAB-antenne (apart verkrijgbaar).

Bruikbare AV/RCA-interfacekabel (vierpolige mini-AV-stekker naar 3-RCA)

De kabelconventie van dit systeem is als volgt:

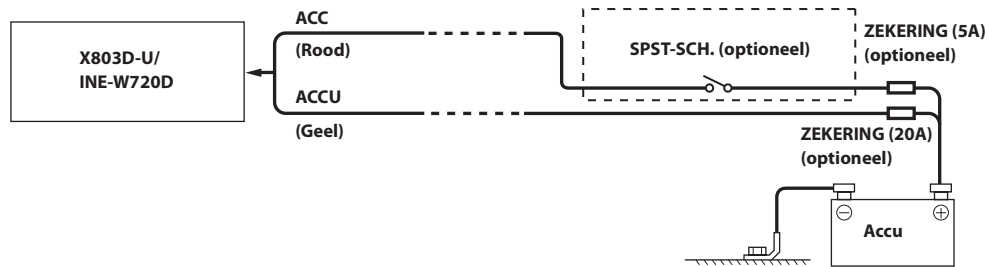


- *Configuratie van in de handel verkrijgbare vierpolige mini-AV-stekkers is niet gestandaardiseerd.*



Als er geen ACC-stroomvoorziening beschikbaar is

Aansluitingsschema van SPST-schakelaar (apart verkrijgbaar)



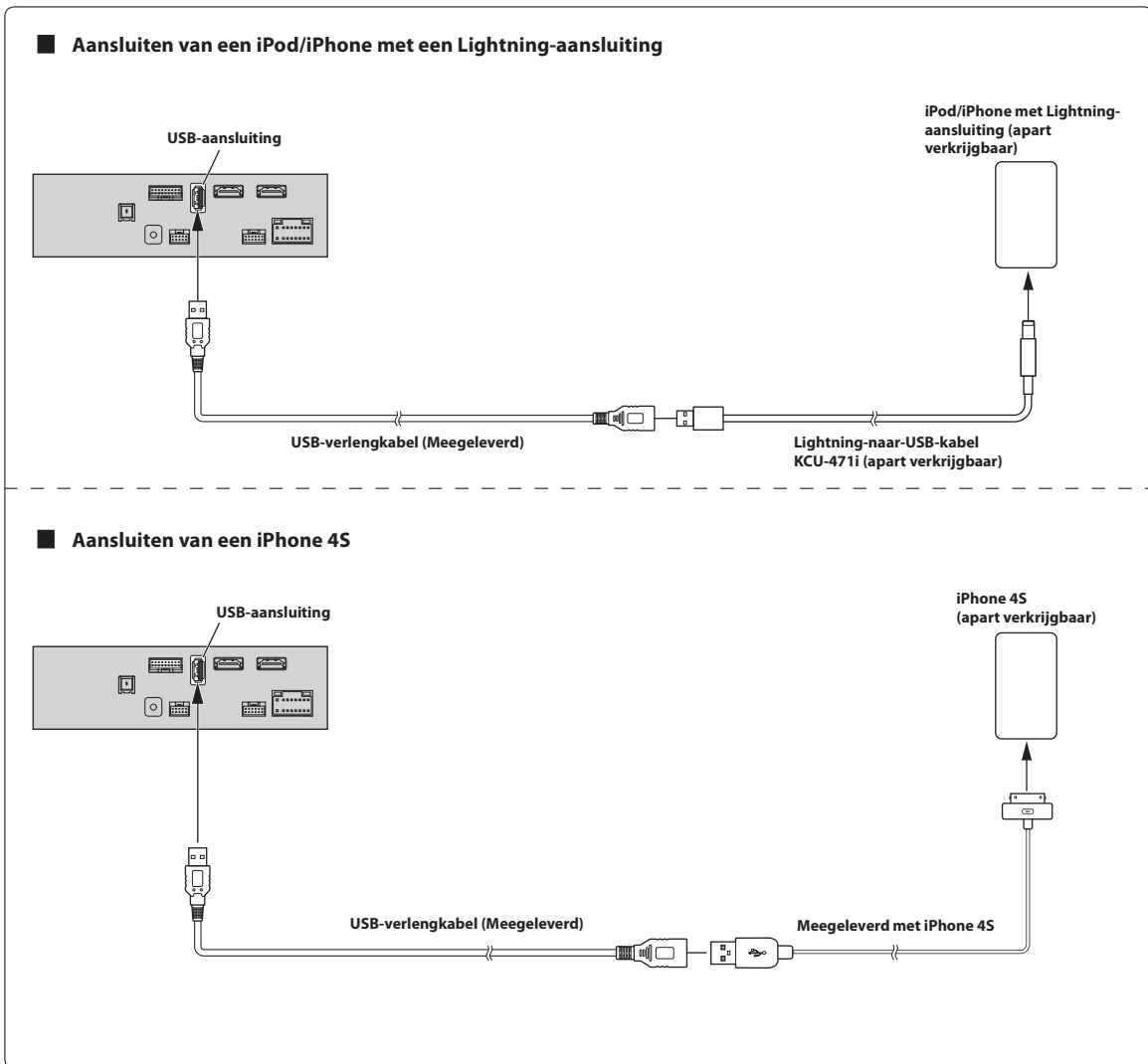
- Voeg een SPST (Single-Pole, Single-Throw)-schakelaar (apart verkrijgbaar) en zekering (apart verkrijgbaar) toe als uw voertuig geen ACC-stroomvoorziening heeft.
- Het schema en de stroomsterkte van de zekeringen hierboven zijn geldig wanneer het toestel afzonderlijk wordt gebruikt.
- Als de geschakelde stroomkabel (ontsteking) van het toestel rechtstreeks op de positieve (+) pool van de accu van het voertuig is aangesloten, verbruikt het toestel een minimale hoeveelheid stroom (enkele honderden milliampères), zelfs als de schakelaar in de OFF-stand staat, en kan de accu leeglopen.

Vermijden dat extern lawaai het audiosysteem binnendringt.

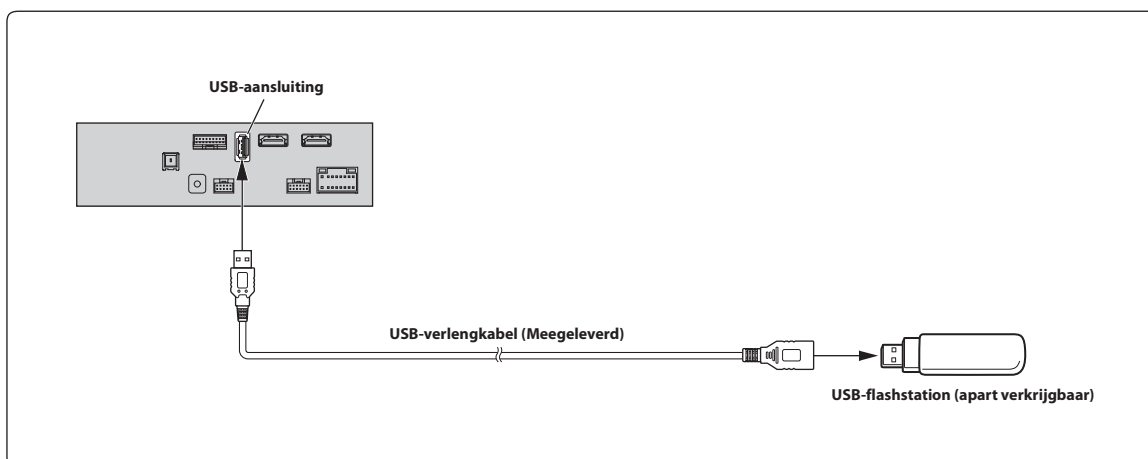
- Plaats het toestel en leid de kabels minstens 10 cm weg van het autochassis.
- Houd de stroomkabels van de accu zo ver mogelijk weg van de andere kabels.
- Maak de aardingskabel stevig vast op een bloot stuk metaal (verwijder verf, stof of vet indien nodig) van het autochassis.
- Als u een optionele ruisonderdrukker installeert, sluit deze dan aan zo ver mogelijk van het toestel vandaan. Contacteer uw Alpine-verdeler voor meer informatie over verschillende ruisonderdrukkers.
- Uw Alpine-verdeler is uitvoerig op de hoogte van middelen voor ruispreventie. Contacteer uw verdeler dus voor meer informatie.

Systemvoorbeeld

Aansluiten van een iPod/iPhone

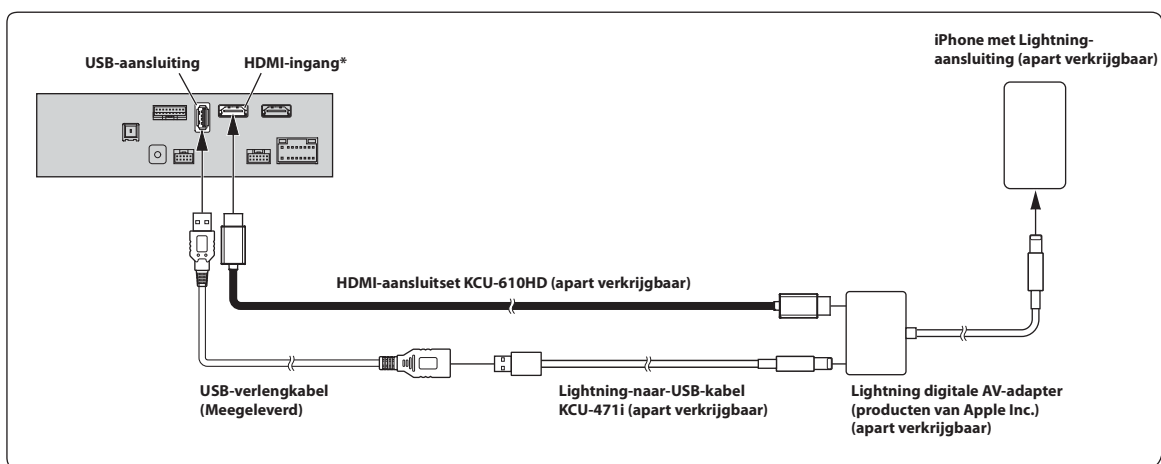


Een flashstation aansluiten



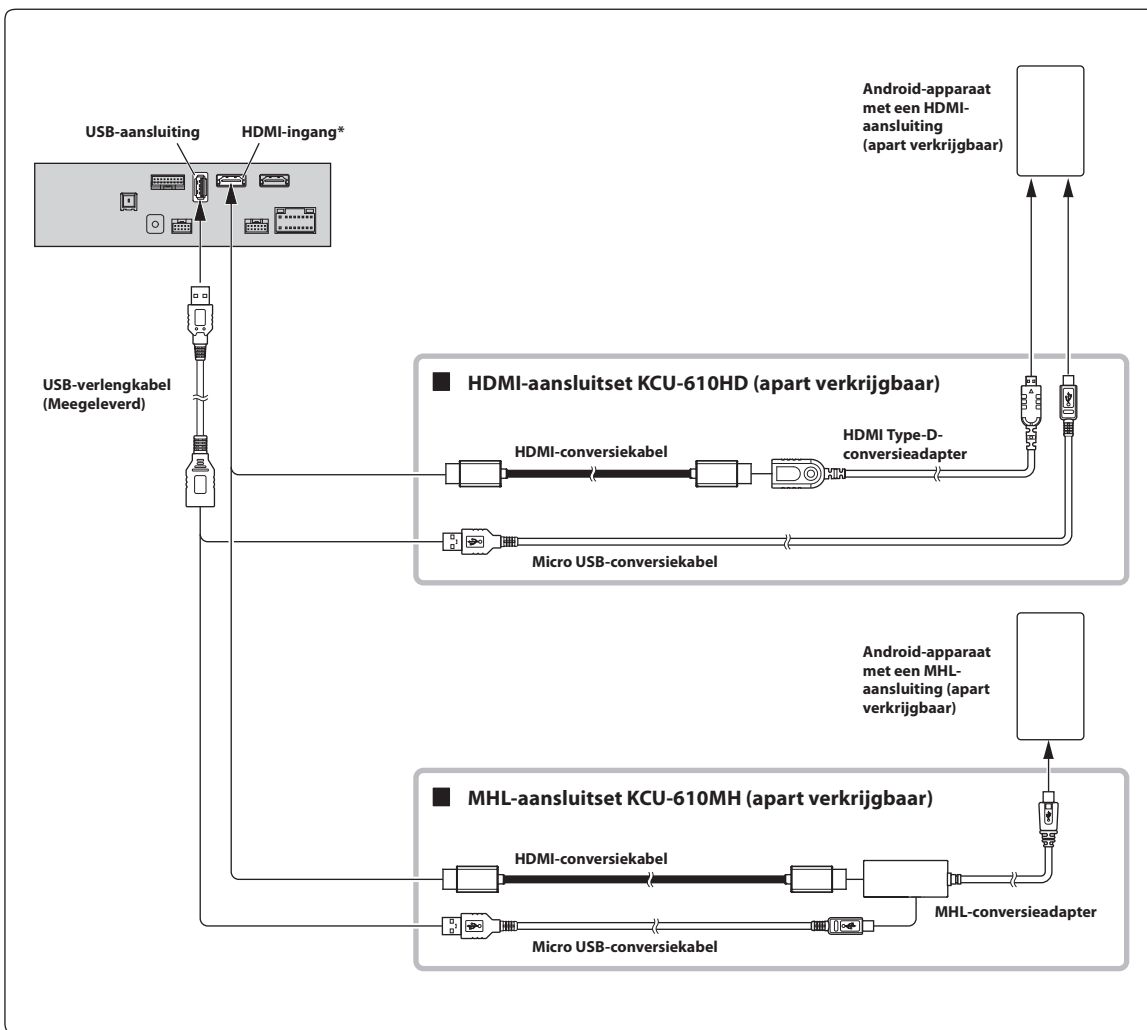
- Laat een flashstation niet langdurig in een voertuig liggen. Hitte en vochtigheid kunnen het flashstation beschadigen.

Een HDMI-apparaat aansluiten (iPhone met een Lightning-aansluiting)



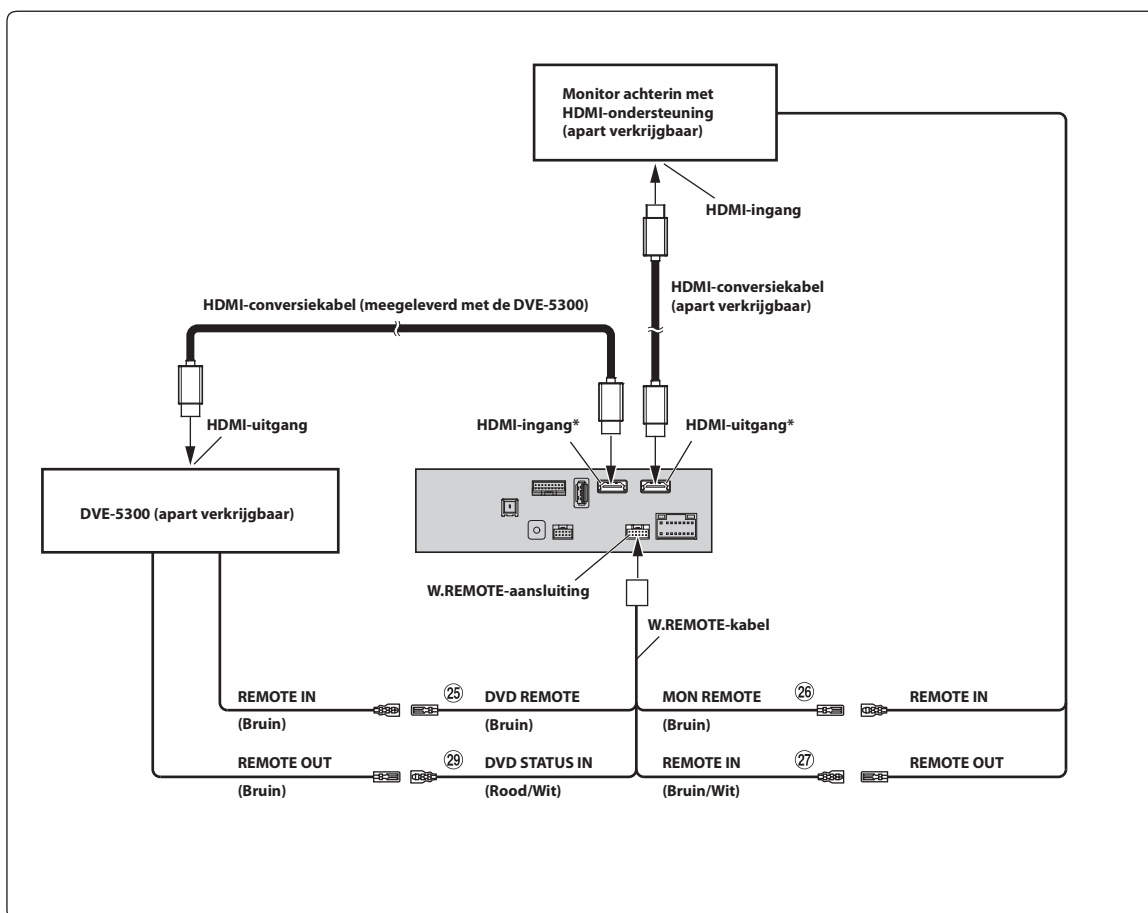
- * Wanneer u een HDMI-kabel aansluit, moet u deze altijd bevestigen met behulp van de meegeleverde HDMI-bevestigingsbeugel. Zie "Opmerking bij het gebruik van HDMI-kabels" (pagina 4) voor meer informatie over het bevestigen ervan.
- Zet de HDMI-instelling op "HDMI". Raadpleeg "HDMI-configuratie" in de GEBRUIKSAANWIJZING (CD-ROM) voor meer informatie.

Een HDMI-apparaat aansluiten (Android-apparaat)



- U hebt een aansluitset of adapterset die geschikt is voor het type aansluiting op het verbindende apparaat nodig.
 - Zet de HDMI-instelling op "HDMI". Raadpleeg "HDMI-configuratie" in de GEBRUIKSAANWIJZING (CD-ROM) voor meer informatie.
- * Wanneer u een HDMI-kabel aansluit, moet u deze altijd bevestigen met behulp van de meegeleverde HDMI-bevestigingsbeugel. Zie "Opmerking bij het gebruik van HDMI-kabels" (pagina 4) voor meer informatie over het bevestigen ervan.

Aansluiten van een DVE-5300 en een monitor achterin met HDMI-ondersteuning



②⑤ **Uitgangskabel voor afstandsbediening (Bruin) (voor DVD-speler DVE-5300)**

②⑥ **Uitgangskabel voor afstandsbediening (Bruin) (voor monitor achterin)**

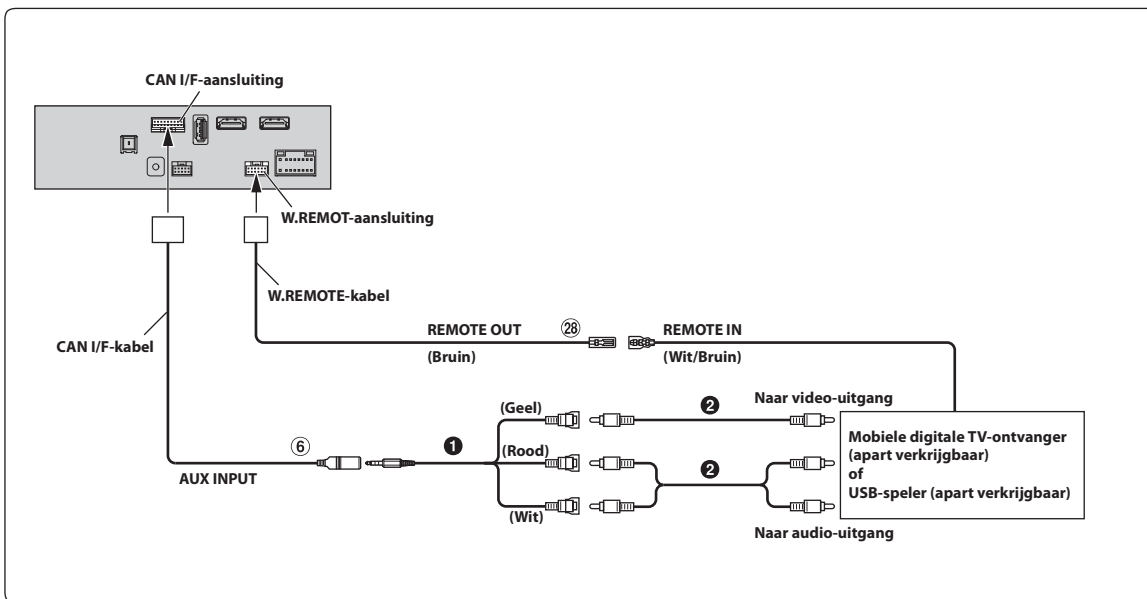
②⑦ **Ingangskabel voor afstandsbediening (Bruin/Wit) (voor monitor achterin)**

②⑨ **Ingangskabel voor DVD-bediening (Rood/Wit) (voor DVD-speler DVE-5300)**

* Wanneer u een HDMI-kabel aansluit, moet u deze altijd bevestigen met behulp van de meegeleverde HDMI-bevestigingsbeugel. Zie "Opmerking bij het gebruik van HDMI-kabels" (pagina 4) voor meer informatie over het bevestigen ervan.

• Zet de HDMI-instelling op "DVD". Raadpleeg "HDMI-configuratie" in de GEBRUIKSAANWIJZING (CD-ROM) voor meer informatie.

Aansluiten van een mobiele digitale TV-ontvanger of USB-speler



⑥ AUX-ingangsaansluiting

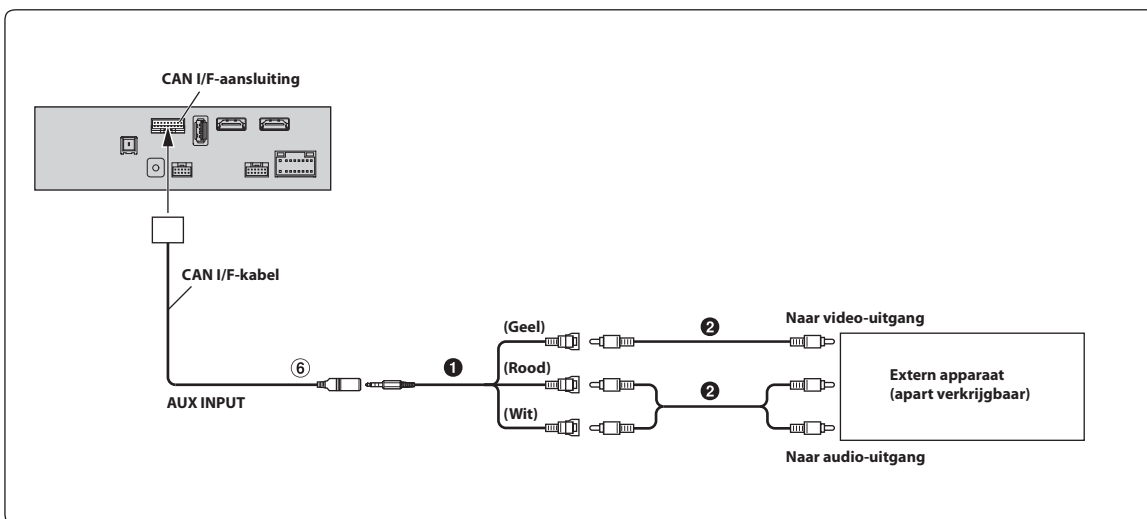
②⑧ Uitgangskabel voor afstandsbediening (Bruin)

① AV/RCA-interfacekabel (vierpolige mini-AV-stekker naar 3-RCA) (apart verkrijgbaar)

② RCA-verlengkabel (apart verkrijgbaar)

- Raadpleeg "Bruikbare AV/RCA-interfacekabel (vierpolige mini-AV-stekker naar 3-RCA)" (pagina 7) voor meer informatie over het gebruik van een AV/RCA-interfacekabel (vierpolige mini-AV-stekker naar 3-RCA).
- Stel AUX-naam in op "DVB-T" of "USB speler". Raadpleeg "De auxiliaire naam (AUX) instellen" in de GEBRUIKSAANWIJZING (CD-ROM) voor meer informatie.

Aansluiten van een extern apparaat



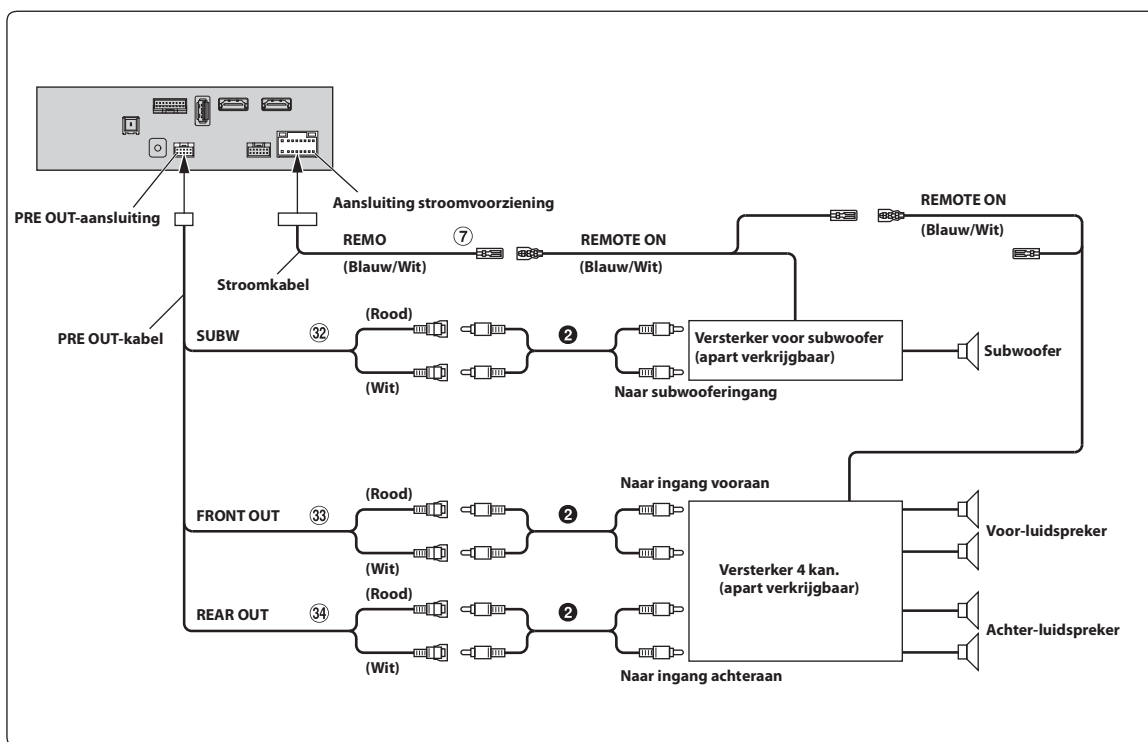
⑥ AUX-ingangsaansluiting

① AV/RCA-interfacekabel (vierpolige mini-AV-stekker naar 3-RCA) (apart verkrijgbaar)

② RCA-verlengkabel (apart verkrijgbaar)

- U kunt de naam van het externe apparaat wijzigen. Raadpleeg "De auxiliaire naam (AUX) instellen" in de GEBRUIKSAANWIJZING (CD-ROM) voor meer informatie.
- Raadpleeg "Bruikbare AV/RCA-interfacekabel (vierpolige mini-AV-stekker naar 3-RCA)" (pagina 7) voor meer informatie over het gebruik van een AV/RCA-interfacekabel (vierpolige mini-AV-stekker naar 3-RCA).

Aansluiten van een Externe versterker



⑦ Kabel afstandsbediening (Blauw/Wit)

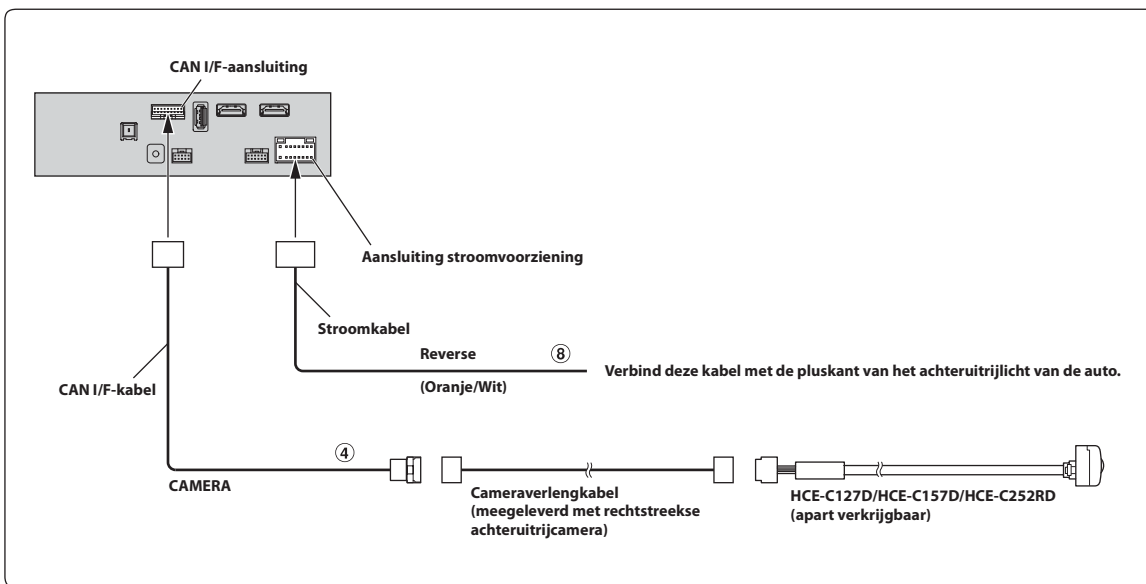
② RCA-verbodingskabel (apart verkrijgbaar)

③② RCA-aansluitingen subwoofer

③③ RCA-aansluitingen uitvoer vooraan

③④ RCA-aansluitingen uitvoer achteraan

Aansluiten van een achteruitrijcamera

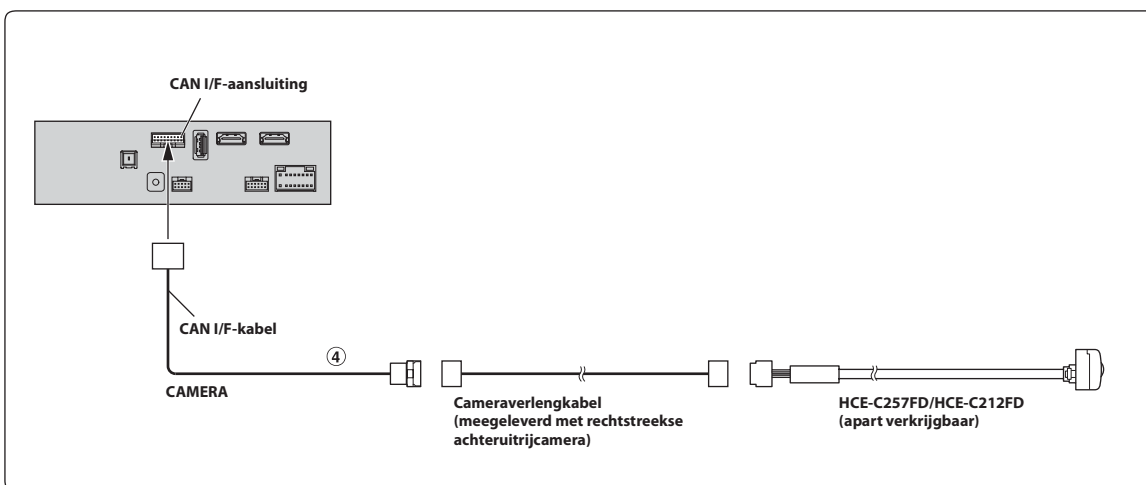


④ Rechtstreekse CAMERA-ingang

⑧ Achteruitrijkabel (Oranje/Wit)

- Stel Camera selecteren in op "Achter". Raadpleeg "De invoer van de camera instellen" in de GEBRUIKSAANWIJZING (CD-ROM) voor meer informatie.

Aansluiten van een camera voor voorraanzicht



④ Rechtstreekse CAMERA-ingang

- Stel Camera selecteren in op "Voor". Raadpleeg "De invoer van de camera instellen" in de GEBRUIKSAANWIJZING (CD-ROM) voor meer informatie.

Содержание

ПРЕДУПРЕЖДЕНИЕ	2
ВНИМАНИЕ	2
Меры предосторожности	3
Комплектация	3
Установка	3
Предупреждение о выборе места установки	3
Монтаж антенны GPS внутри автомобиля	3
Установка микрофона	4
Пример установки с помощью оригинального монтажного кронштейна	4
Соединения	5
(Если источник питания ACC недоступен)	8
Пример системы	9



ПРЕДУПРЕЖДЕНИЕ

Этот символ обозначает важные инструкции. Их несоблюдение может привести к травме или смертельному исходу.

НЕ РАЗБИРАТЬ И НЕ ИЗМЕНЯТЬ.

Это может вызывать аварийную ситуацию, возгорание или удар электрическим током.

ХРАНИТЕ НЕБОЛЬШИЕ ОБЪЕКТЫ, ТАКИЕ КАК БАТАРЕИ, В НЕДОСТУПНЫХ ДЛЯ ДЕТЕЙ МЕСТАХ.

Глотание таких объектов может нанести серьезную травму. Если ребенок проглотил подобный объект, немедленно обратитесь к врачу.

ПРИ ЗАМЕНЕ ПРЕДОХРАНИТЕЛЕЙ ИСПОЛЬЗУЙТЕ ТОЛЬКО АНАЛОГИЧНЫЕ ПО НОМИНАЛУ.

Несоблюдение этого требования может привести к возгоранию и поражению электрическим током.

НЕ ЗАКРЫВАЙТЕ ВЕНТИЛЯЦИОННЫЕ ОТВЕРСТИЯ ИЛИ ПАНЕЛИ РАДИАТОРА.

В противном случае возможен нагрев внутренних деталей, который может привести к возгоранию.

ИСПОЛЬЗУЙТЕ ЭТОТ ПРОДУКТ ТОЛЬКО ДЛЯ АВТОМОБИЛЕЙ С БОРТОВОЙ СЕТЬЮ НАПРЯЖЕНИЕМ 12 В.

Неправильное использование может привести к возгоранию, поражению электрическим током или другим травмам.

ВЫПОЛНЯЙТЕ ПРАВИЛЬНЫЕ ПОДКЛЮЧЕНИЯ.

Неправильное подключение может привести к возгоранию или повреждению продукта.

ИСПОЛЬЗОВАТЬ ТОЛЬКО В АВТОМОБИЛЯХ С ПИТАНИЕМ БОРТОВОЙ СЕТИ +12 ВОЛЬТ И ЗАЗЕМЛЕНИЕМ ОТРИЦАТЕЛЬНОГО ПОЛЮСА НА КУЗОВ АВТОМОБИЛЯ.

(В случае сомнений проконсультируйтесь у своего дилера.) Несоблюдение этого требования может привести к возникновению огня и т.п.

ПЕРЕД ПОДКЛЮЧЕНИЕМ ПРОВОДОВ ОТСОЕДИНИТЕ КАБЕЛЬ ОТ ОТРИЦАТЕЛЬНОГО ПОЛЮСА БАТАРЕИ.

Несоблюдение этого требования может привести к поражению электрическим током или к травме вследствие короткого замыкания.

НЕ ДОПУСКАЙТЕ СПЛЕТЕНИЯ КАБЕЛЕЙ С НАХОДЯЩИМИСЯ РЯДОМ ПРЕДМЕТАМИ.

Проводку и кабели необходимо разместить в соответствии с указаниями в руководстве, чтобы избежать возможных препятствий и помех во время вождения. Кабели и проводка, которая блокирует доступ к рулевому колесу, рычагу переключения передач, педали тормоза и т.д., могут стать причиной опасной ситуации за рулем.

НЕ СРАЩИВАЙТЕ С ЭЛЕКТРИЧЕСКИМИ КАБЕЛЯМИ.

Никогда не срезайте кабельную изоляцию для подключения питания к другому оборудованию. В противном случае будет превышена допустимая нагрузка по току для данного провода, и в результате возможно возгорание и поражение электрическим током.

НЕ ПОВРЕДИТЕ ТРУБКИ ИЛИ ПРОВОДКУ ПРИ СВЕРЛЕНИИ ОТВЕРСТИЙ.

При сверлении установочных отверстий в корпусе примите меры предосторожности, чтобы избежать контакта, повреждения или закупоривания трубок топливопроводов

или электропроводки. Несоблюдение этого требования может привести к возгоранию.

НЕ ИСПОЛЬЗУЙТЕ БОЛТЫ ИЛИ ГАЙКИ ТОРМОЗНОЙ СИСТЕМЫ ИЛИ СИСТЕМЫ РУЛЕВОГО УПРАВЛЕНИЯ ДЛЯ ЗАЗЕМЛЕНИЯ.

Болты или гайки из тормозной системы или системы рулевого управления (или любой другой связанной с безопасностью системы) или баков НИКОГДА не следует использовать при установке или заземлении. Использование таких деталей может блокировать управление автомобилем и стать причиной возгорания.

НЕ УСТАНОВЛИВАЙТЕ УСТРОЙСТВО В МЕСТАХ, ГДЕ ОНО МОЖЕТ МЕШАТЬ РАБОТЕ АВТОМОБИЛЯ, НАПРИМЕР, РЯДОМ С РУЛЕВЫМ КОЛЕСОМ ИЛИ РЫЧАГОМ ПЕРЕКЛЮЧЕНИЯ СКОРОСТЕЙ.

В противном случае устройство может создать помехи для переднего обзора или затруднить движение, что может привести к серьезной аварии.

НЕ УСТАНОВЛИВАЙТЕ МОНИТОР РЯДОМ С ПОДУШКОЙ БЕЗОПАСНОСТИ ПассаЖИРСКОГО СИДЕНЬЯ.

Неправильная установка устройства может привести к некорректной работе подушки безопасности: при срабатывании подушки безопасности монитор может отскочить и стать причиной аварии и серьезных травм.



ВНИМАНИЕ

Этот символ обозначает важные инструкции. Их несоблюдение может привести к травме или выходу из строя вашего устройства.

ПРОКЛАДКА ПРОВОДОВ И УСТАНОВКА ДОЛЖНЫ БЫТЬ ВЫПОЛНЕНЫ СПЕЦИАЛИСТАМИ.

Для прокладки проводов и установки данного устройства требуются специальные технические навыки и опыт. В целях обеспечения безопасности для выполнения работы всегда обращайтесь к дилеру, у которого был приобретен этот продукт.

ИСПОЛЬЗУЙТЕ ТОЛЬКО СПЕЦИАЛИЗИРОВАННЫЕ УСТАНОВОЧНЫЕ КОМПОНЕНТЫ И ТЩАТЕЛЬНО ИХ ЗАКРЕПЛЯЙТЕ.

Используйте только специфицированные вспомогательные компоненты. Использование непредусмотренных компонентов может вызвать внутренние повреждения устройства или стать причиной его ненадежной установки. В результате может нарушиться крепление таких компонентов, приводя к возникновению опасности или сбою продукта.

ПРАВИЛЬНО ПРОЛОЖЕННАЯ ПРОВОДКА НЕ ДОЛЖНА ИЗГИБАТЬСЯ ИЛИ ЗАЩЕМЛЯТЬСЯ ОСТРЫМИ МЕТАЛЛИЧЕСКИМИ КРАЯМИ.

Прокладывайте кабели и проводку далеко от движущихся частей (например, направляющих сиденья) и острых или заостренных краев. Это позволяет предотвратить защемление или зажатие проводов. Если провода проходят через металлическое отверстие, используйте резиновое уплотнительное кольцо, чтобы предотвратить повреждение изоляции металлическим краем отверстия.

НЕ УСТАНОВЛИВАЙТЕ УСТРОЙСТВО В МЕСТАХ С ВЫСОКИМ УРОВНЕМ ВЛАЖНОСТИ ИЛИ ЗАПЫЛЕННОСТИ.

Избегайте устанавливать устройство в местах с высоким уровнем влажности или запыленности. Проникающие в устройство влага и пыль могут вызвать его неисправность.

Меры предосторожности

- Перед установкой устройства убедитесь, что кабель отключен от отрицательного (-) полюса батареи. Это сводит к минимуму вероятность повреждения устройства в случае короткого замыкания.
- Провода с цветовой кодировкой необходимо подключать в соответствии с данной диаграммой. Неправильные соединения могут стать причиной неисправности устройства или повреждения электрооборудования автомобиля.
- При подключении к электрооборудованию автомобиля необходимо иметь представление об установленных на заводе компонентах (например, бортовом компьютере). Не подключайтесь к этим проводам для подачи питания данному устройству. При подключении устройства к блоку плавких предохранителей убедитесь, что предохранители, предназначенные для контуров устройства, рассчитаны на соответствующую токовую нагрузку. При появлении сомнений обращайтесь к своему дилеру Alpine.
- Для подключения к другим устройствам (например, к усилителю) с RCA-разъемами в используются штепсельные разъемы типа RCA. Для подключения к другим устройствам может потребоваться переходник. В этом случае обращайтесь за помощью к своему авторизованному дилеру Alpine.
- Отрицательные выводы динамиков (-) должны подключаться к их отрицательным клеммам. Никогда не соединяйте между собой кабели левого и правого каналов динамиков и не подключайте их к корпусу автомобиля.

Комплектация

- X803D-U или INE-W720D 1
- Кабель питания 1
- Антенна GPS 1
- Монтажная пластина антенны 1
- Кабельный хомут для антенны 1 комплект
- Удлинительный USB-кабель 1
- Кабель PRE OUT 1
- Микрофон 1
- Кабель CAN I/F 1
- Кабель W.REMOTE 1
- Лицевая панель (только для INE-W720D) 1
- Кронштейн крепления HDMI 1
- Винт с плоской головкой (M5×8) 4
- Винт (M5×8) 4
- Руководство пользователя 1 комплект

Установка

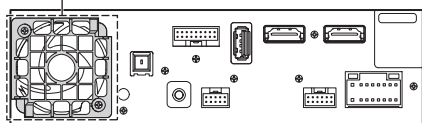
Пользователь X803D-U
Сведения об установке X803D-U см. в руководстве, которое прилагается в отдельно приобретаемом комплекте для установки для каждого типа машин.

Осторожно

Не блокируйте вентилятор устройства, что может затруднить циркуляцию воздуха. При блокировке тепло будет накапливаться внутри устройства, что может привести к возгоранию.

<пример>

Вентиляция

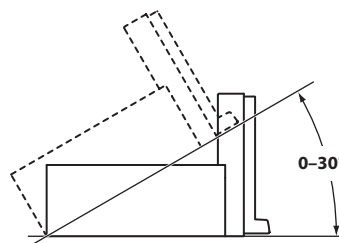


Задняя часть устройства

Предупреждение о выборе места установки

Угол установки

Устанавливайте под углом от 0° до 30° по горизонтали. Имейте в виду, что установка под углом, выходящим за пределы указанного диапазона, ухудшает эксплуатационные характеристики и может привести к повреждению.



Монтаж антенны GPS внутри автомобиля

- 1 Очистите место для монтажа.
- 2 Установите монтажную пластину антенны GPS.
- 3 Установите антенну GPS.



Данное устройство

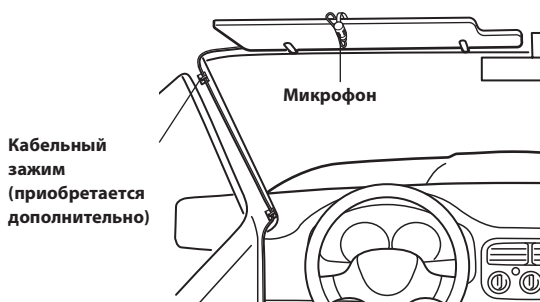
- Не устанавливайте антенну GPS в центральную панель.
 - Устанавливайте антенну GPS на плоской поверхности приборного щитка или задней панели.
 - Убедитесь, что антенна GPS не закрыта (перекрыта) металлическими поверхностями или объектами.
- Если антенна GPS установлена рядом с устройством, качество приема ухудшается, и местоположение автомобиля может отображаться неправильно.
 - Устанавливайте антенну GPS на достаточном расстоянии от устройства.
 - Прокладывайте кабель антенны GPS вдали от задней части устройства.
- Определенные типы термоотражающего или термопоглощающего стекла могут препятствовать прохождению высокочастотных волн. Если установленная внутри автомобиля антенна обеспечивает неуверенный прием, попробуйте установить антенну снаружи автомобиля.

Установка микрофона

Для обеспечения безопасности убедитесь в следующем:

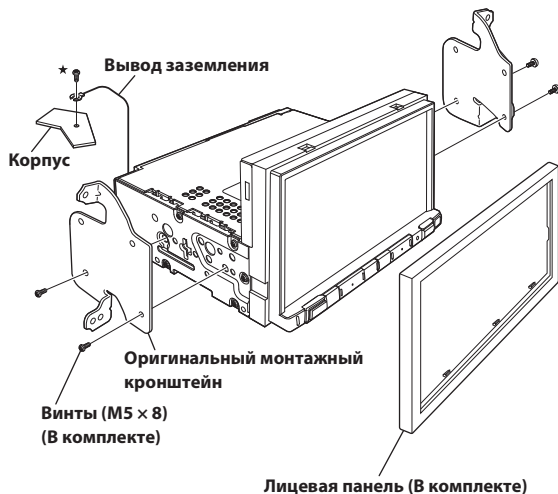
- место для установки устойчивое и прочное;
- установка не создаст помех для обзора водителя и выполнения действий;
- микрофон расположен в месте, где хороший прием голоса водителя (например, на солнцезащитном козырьке).

Когда говорите в микрофон, не следует менять свое обычное положение тела, принятое для вождения автомобиля. Такие действия отвлекают внимание и могут помешать безопасному движению автомобиля. Когда устанавливаете микрофон, тщательно оценивайте направление и расстояние. Убедитесь, что в выбранном месте голос водителя хорошо принимается.



Пример установки с помощью оригинального монтажного кронштейна

- 1 Прикрепите оригинальный монтажный кронштейн к устройству с помощью прилагаемых винтов.



* Для надежного крепления вывода заземления используйте уже установленный винт на металлической поверхности машины (с отметкой (★)) или на чистом участке оголенного металла на шасси автомобиля.

- 2 Подключите все выводы устройства в соответствии с описанием, представленным в разделе "Соединения" (стр. 5).

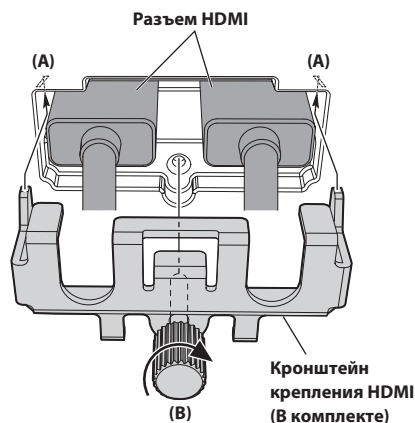
- 3 Установка устройства в автомобиле.

- Аккуратно прикрепите кабели. Во избежание повреждения кабелей прокладывайте их вдали от движущихся частей, например направляющих сиденья, а также острых или заостренных краев.

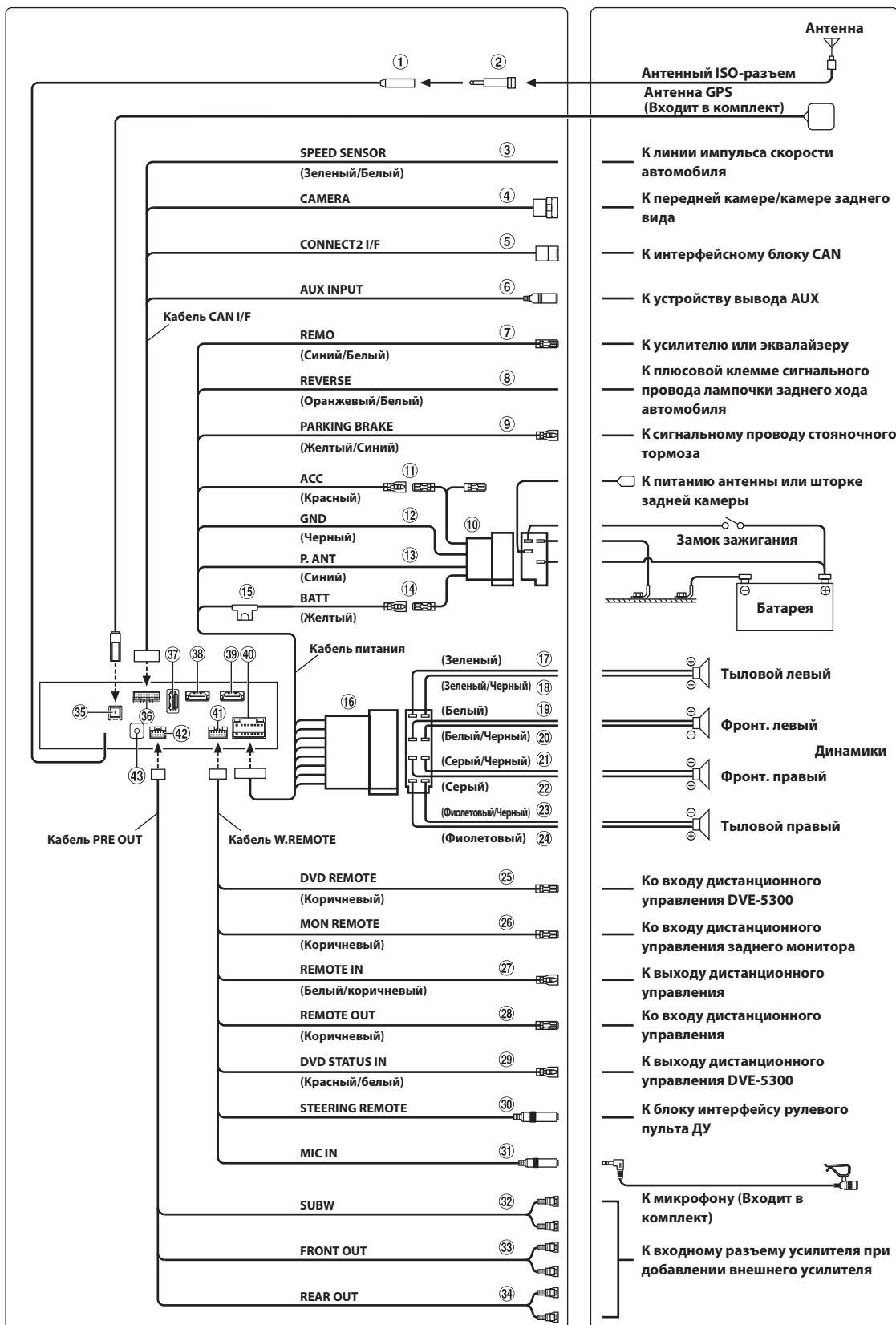
Примечание относительно использования соединительных кабелей HDMI

При использовании соединительных кабелей HDMI прикрепите кабели к разъемам HDMI с помощью прилагаемого кронштейна крепления HDMI.

- 1 Вставьте кронштейн крепления HDMI в пазы (А).
- 2 Закрепите его винтом (В).



Соединения

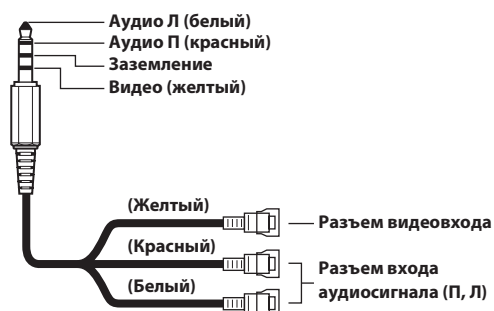


- ① **Разъем радиоантенны**
- ② **Антенный адаптер ISO/JASO (приобретается дополнительно)**
В зависимости от автомобиля может потребоваться антенный адаптер ISO/JASO.
- ③ **Провод датчика скорости (Зеленый/Белый)**
Неверное подключение линии импульса скорости может привести к выходу из строя серьезных функций безопасности устройства (например, тормоза или подушки безопасности). Такие неисправности могут привести к несчастному случаю и смертельному исходу. Настоятельно рекомендуется выполнять установку квалифицированным, авторизованным дилером Alpine.
- ④ **Входной прямой разъем CAMERA**
Используйте, если подключена дополнительная прямая камера.
- ⑤ **Интерфейсный разъем CAN**
К интерфейсному блоку CAN
- ⑥ **Разъем AUX Input**
Вводной кабель для видео/аудиосигнала AUX
 - Необходимо отдельно купить интерфейсный кабель AV/RCA (4-полюсный аудиовизуальный миништекер/3-полюсный штекер RCA). Для получения дополнительной информации об использовании интерфейсного кабеля AV/RCA (4-полюсный миниразъем AV к разъему 3-RCA) см. "Используемый интерфейсный кабель AV/RCA (4-полюсный миниразъем AV к 3-RCA)" (стр. 7).
- ⑦ **Выход удаленного включения (синий/белый)**
Подключите этот вывод к входу удаленного включения усилителя или процессора сигналов.
- ⑧ **Разъем заднего хода (оранжевый/белый)**
Подключите к положительному контакту ламп заднего хода автомобиля. Эти лампы загораются при переводе рычага переключения передач в положение заднего хода (R). Если соединение выполнено правильно, то каждый раз, когда рычаг переключения передач устанавливается в положение заднего хода (R), автоматически включается изображение с камеры заднего вида.
- ⑨ **Сигнал стояночного тормоза (желтый/синий)**
Подключите этот кабель к разъему питания переключателя стояночного тормоза для передачи сигналов состояния стояночного тормоза устройству.
- ⑩ **ISO-разъем источника питания**
- ⑪ **Переключаемый вывод питания (зажигание) (красный)**
Подключите этот вывод к открытой клемме блока плавких предохранителей автомобиля или к другому свободному источнику питания, обеспечивающему зажигание с напряжением 12 В (+) только при включенном зажигании или в дополнительном положении.
- ⑫ **Вывод заземления (черный)**
Тщательно заземлите этот вывод на массу. Убедитесь в том, что соединение выполнено на оголенной металлической поверхности и надежно зафиксировано с помощью предоставленного винта для листового металла.
- ⑬ **Вывод питания антенны (синий)**
Подключите этот вывод к клемме +В питания антенны (если применимо).
 - Если камера заднего вида автомобиля оснащена электрической защитной шторкой, измените настройку шторки задней камеры на Оп и подключите этот вывод к клемме +В шторки камеры заднего вида.
 - Этот вывод следует использовать только для управления питанием антенны или шторкой камеры заднего вида. Не используйте этот вывод для включения усилителя или процессора сигналов и т.д.
- ⑭ **Вывод батареи (желтый)**
Подключите этот вывод к положительному (+) полюсу автомобильного аккумулятора.
- ⑮ **Патрон плавкого предохранителя (15A)**
- ⑯ **ISO-разъем (выход на динамики)**
- ⑰ **Выход на левый задний динамик (+) (зеленый)**
- ⑱ **Выход на левый задний динамик (-) (зеленый/черный)**
- ⑲ **Выход на левый передний динамик (+) (белый)**
- ⑳ **Выход на левый передний динамик (-) (белый/черный)**
- ㉑ **Выход на правый передний динамик (-) (серый/черный)**
- ㉒ **Выход на правый передний динамик (+) (серый)**
- ㉓ **Выход на правый задний динамик (-) (фиолетовый/черный)**
- ㉔ **Выход на правый задний динамик (+) (фиолетовый)**
- ㉕ **Выход дистанционного управления (Коричневый) (для DVD-проигрывателя DVE-5300)**
Подключите этот выход к входу дистанционного управления. Этот разъем используется для вывода управляющих сигналов дистанционного управления.
- ㉖ **Выход дистанционного управления (Коричневый) (для заднего монитора)**
Подключите этот выход к входу дистанционного управления. Этот разъем используется для вывода управляющих сигналов дистанционного управления.
- ㉗ **Вход дистанционного управления (Коричневый/белый)**
Подключите внешний продукт Alpine к выходу дистанционного управления.

- ②8 **Выход дистанционного управления (Коричневый)**
Подключите этот выход к входу дистанционного управления. Этот разъем используется для вывода управляющих сигналов дистанционного управления.
- ②9 **Вход управления DVD (Красный/белый) (для DVD-проигрывателя DVE-5300)**
Подключите DVD-проигрыватель DVE-5300 к выходу дистанционного управления.
- ③0 **Разъем интерфейса удаленного рулевого управления**
Подключите к интерфейсу кнопок ДУ.
За дополнительной информацией о возможностях подключения обращайтесь к своему ближайшему дилеру Alpine.
- ③1 **Входной разъем MIC**
К микрофону (Прилагается)
• Используя прилагаемый микрофон, выберите для параметра "Выбор микрофона" значение "Add-on". Для получения дополнительной информации см. раздел "Настройка выбора микрофона" в РУКОВОДСТВЕ ПОЛЬЗОВАТЕЛЯ (CD-ROM).
- ③2 **RCA-разъемы сабвуфера**
КРАСНЫЙ - для правого, БЕЛЫЙ - для левого.
- ③3 **Передние выходные RCA-разъемы**
Могут использоваться в качестве передних выходных разъемов RCA. КРАСНЫЙ - для правого, БЕЛЫЙ - для левого.
- ③4 **Выходные RCA-разъемы**
Могут использоваться в качестве задних выходных разъемов RCA. КРАСНЫЙ - для правого, БЕЛЫЙ - для левого.
- ③5 **Антенный разъем GPS**
Подключите антенну GPS (Прилагается).
- ③6 **Разъем CAN I/F**
- ③7 **USB-разъем**
К USB флэш-накопителю, устройству iPod/iPhone или смартфону Android.
- ③8 **Входной разъем HDMI**
- ③9 **Выходной разъем HDMI**
- ④0 **Разъем источника питания**
- ④1 **Разъем W.REMOTE**
- ④2 **Разъем PRE OUT**
- ④3 **Разъем антенны DAB**
К антенне DAB (приобретается дополнительно).

Используемый интерфейсный кабель AV/RCA (4-полюсный миниразъем AV к 3-RCA)

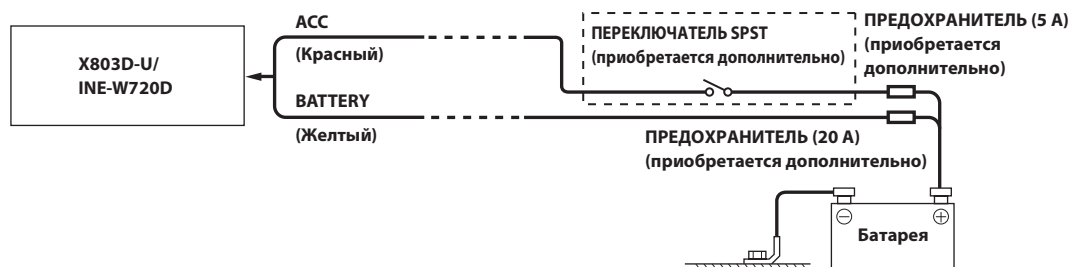
Обозначение соединений данной системы:



- Конфигурация имеющихся в продаже 4-полюсных миниразъемов AV не является стандартизированной.

(Если источник питания АСС недоступен)

Схема подключения однополюсного выключателя SPST (приобретается дополнительно)



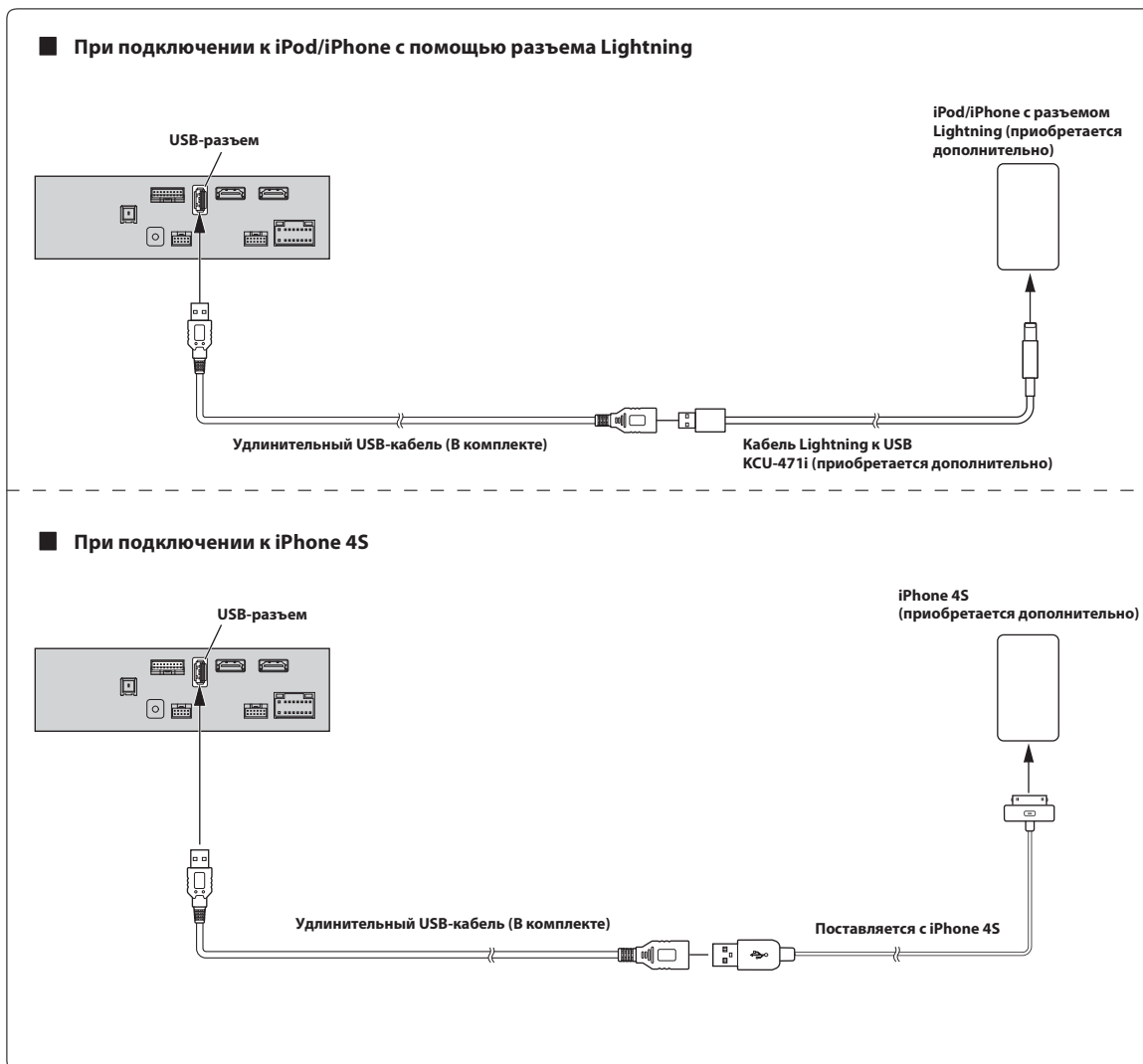
- Если в автомобиле не установлен источник питания АСС, установите приобретаемые дополнительно однополюсный переключатель (SPST) и предохранитель.
- Показанные выше схема подключения и сила тока предохранителя применяются в случае индивидуального использования устройства.
- Если переключаемый вывод питания (зажигание) устройства напрямую подключен к положительному (+) полюсу автомобильного аккумулятора, потребляет небольшой ток (несколько сотен миллиампер) даже при выключении переключателя питания, и аккумулятор может разрядиться.

Предотвращение внешних шумов в аудио системе.

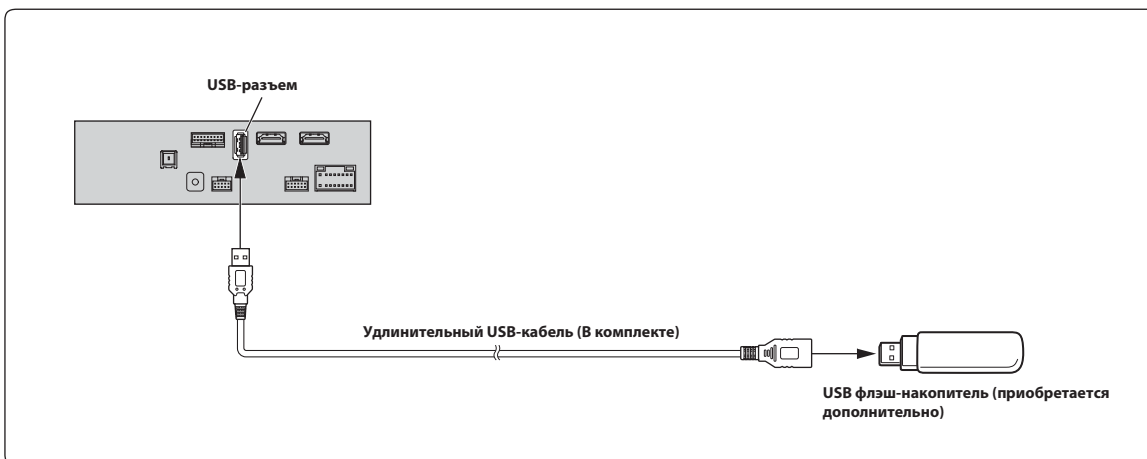
- Найдите устройство и проложите провода на расстоянии не менее чем 10 см от автомобильной электропроводки.
 - Выводы батареи питания должны проходить как можно дальше от других проводов.
 - Надежно подсоедините провод заземления к оголенной металлической поверхности (при необходимости удалите краску, грязь или смазку) корпуса автомобиля.
 - При установке дополнительного шумоподавителя по возможности подключайте его как можно дальше от данного устройства.
- Дилеры Alpine могут предложить различные модели шумоподавителей, обращайтесь к ним за дополнительной информацией.
- За дальнейшей информацией обращайтесь к своему дилеру Alpine, так как ему больше всего известно о мерах по предотвращению шумов.

Пример системы

Подключение iPod/iPhone

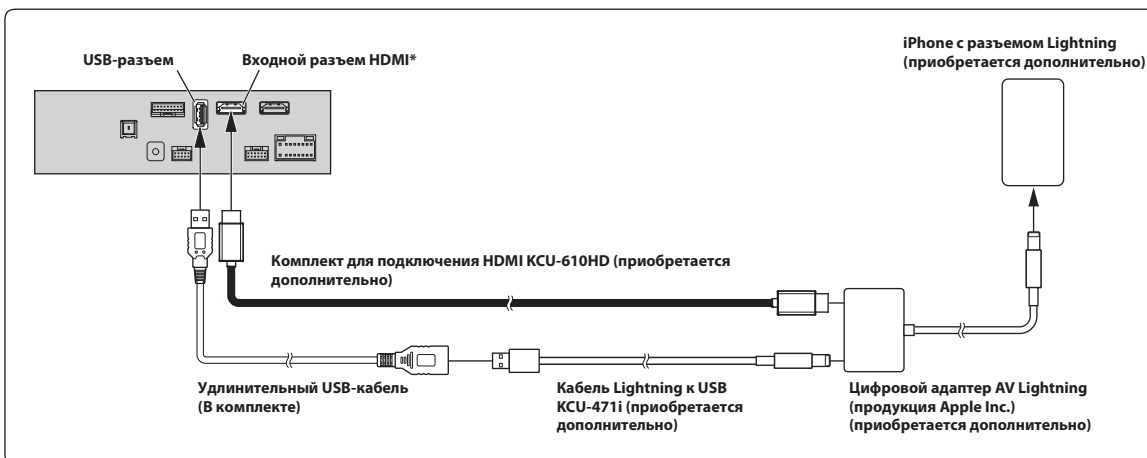


Подключение флэш-накопителя



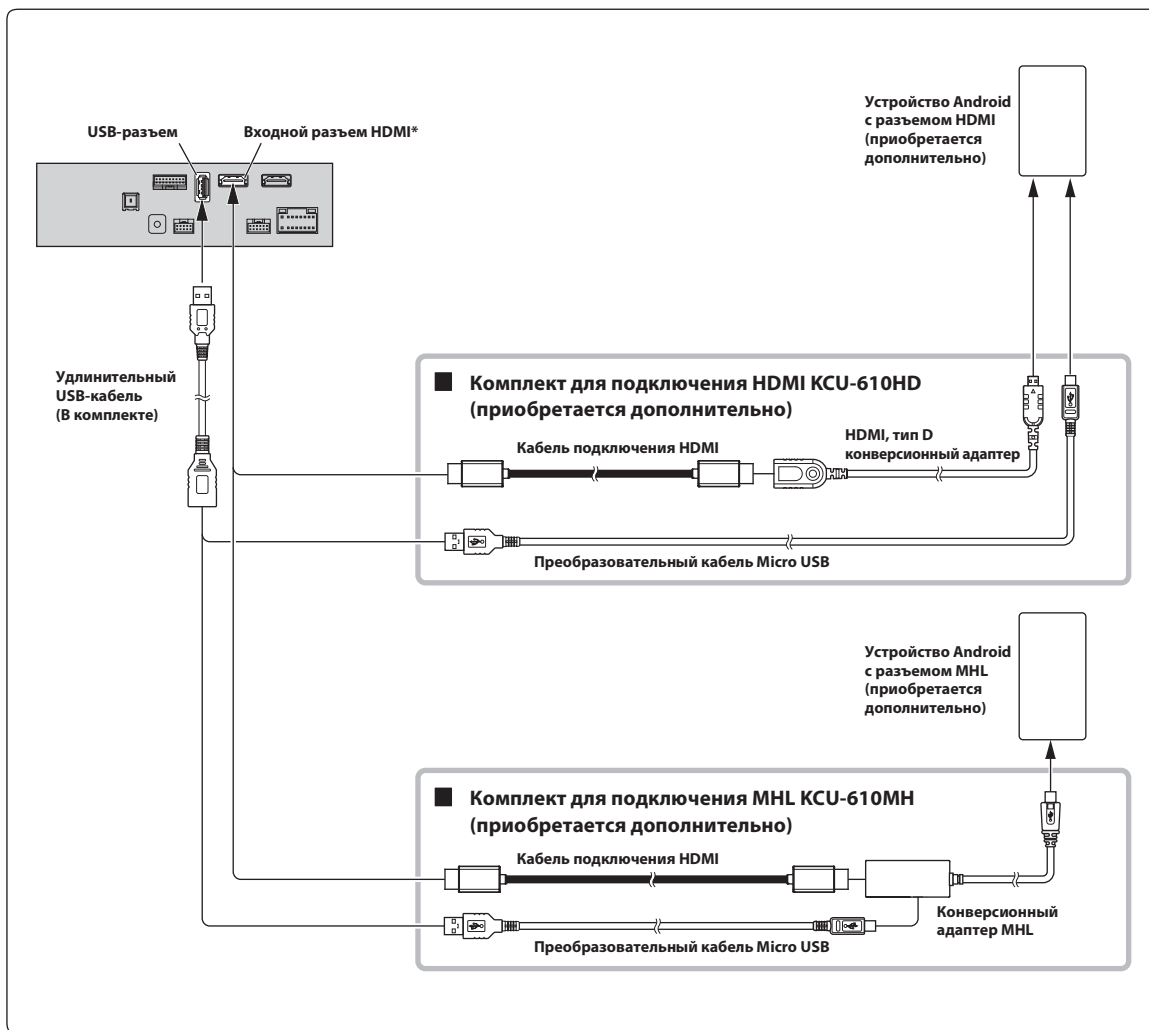
- Не оставляйте флэш-накопитель в автомобиле на долгое время. Высокая температура и влажность могут повредить флэш-накопитель.

Подключение устройства HDMI (iPhone с разъемом Lightning)



- * При подключении кабеля HDMI фиксируйте его с помощью прилагаемого кронштейна крепления HDMI. Для получения дополнительной информации о его фиксации см. "Примечание относительно использования соединительных кабелей HDMI" (стр. 4).
- Установите для настройки HDMI значение "HDMI". Для получения дополнительной информации см. раздел "Настройка HDMI" в РУКОВОДСТВЕ ПОЛЬЗОВАТЕЛЯ (CD-ROM).

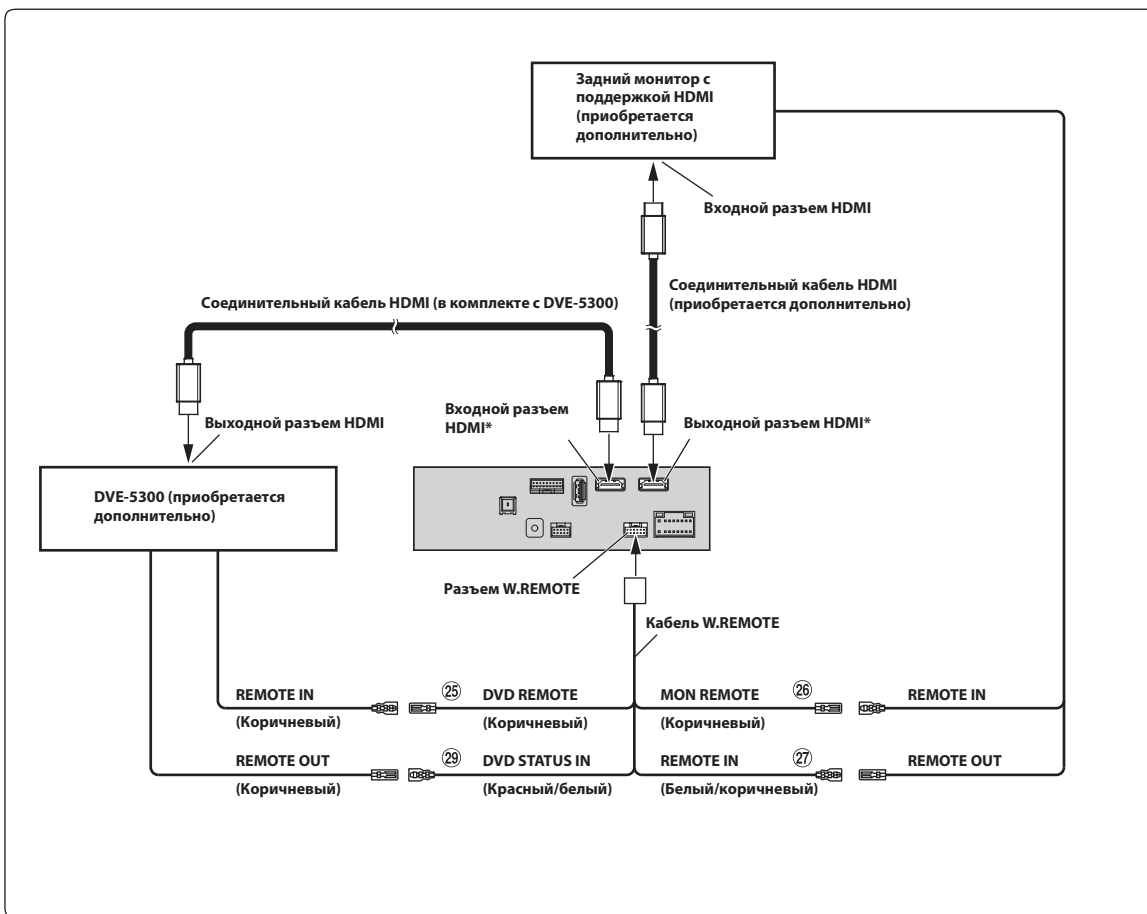
Подключение устройства HDMI (устройство Android)



- Потребуется комплект для подключения или набор переходников, подходящий для разъема подключаемого устройства.
- Установите для настройки HDMI значение "HDMI". Для получения дополнительной информации см. раздел "Настройка HDMI" в РУКОВОДСТВЕ ПОЛЬЗОВАТЕЛЯ (CD-ROM).

* При подключении кабеля HDMI фиксируйте его с помощью прилагаемого кронштейна крепления HDMI. Для получения дополнительной информации о его фиксации см. "Примечание относительно использования соединительных кабелей HDMI" (стр. 4).

Подключение DVE-5300 и заднего монитора с поддержкой HDMI



25 Выход дистанционного управления (Коричневый) (для DVD-проигрывателя DVE-5300)

27 Выход дистанционного управления (Коричневый/белый) (для заднего монитора)

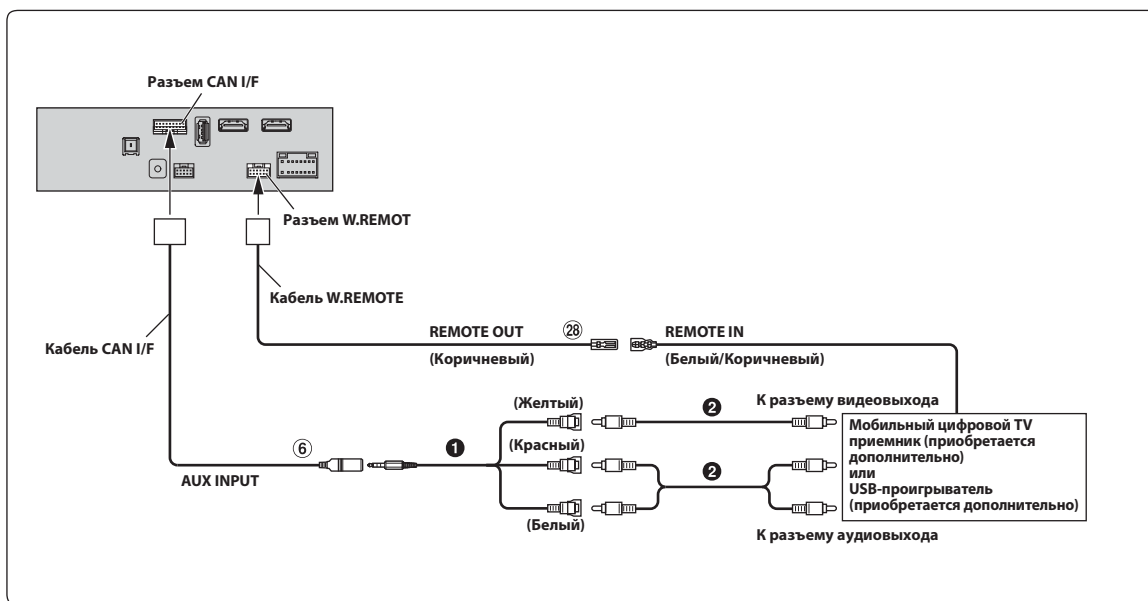
26 Выход дистанционного управления (Коричневый) (для заднего монитора)

29 Вход управления DVD (Красный/белый) (для DVD-проигрывателя DVE-5300)

* При подключении кабеля HDMI фиксируйте его с помощью прилагаемого кронштейна крепления HDMI. Для получения дополнительной информации о его фиксации см. "Примечание относительно использования соединительных кабелей HDMI" (стр. 4).

• Установите для настройки HDMI значение "DVD". Для получения дополнительной информации см. раздел "Настройка HDMI" в РУКОВОДСТВЕ ПОЛЬЗОВАТЕЛЯ (CD-ROM).

Подключение мобильного цифрового TV приемника/USB-проигрывателя



⑥ Разъем AUX Input

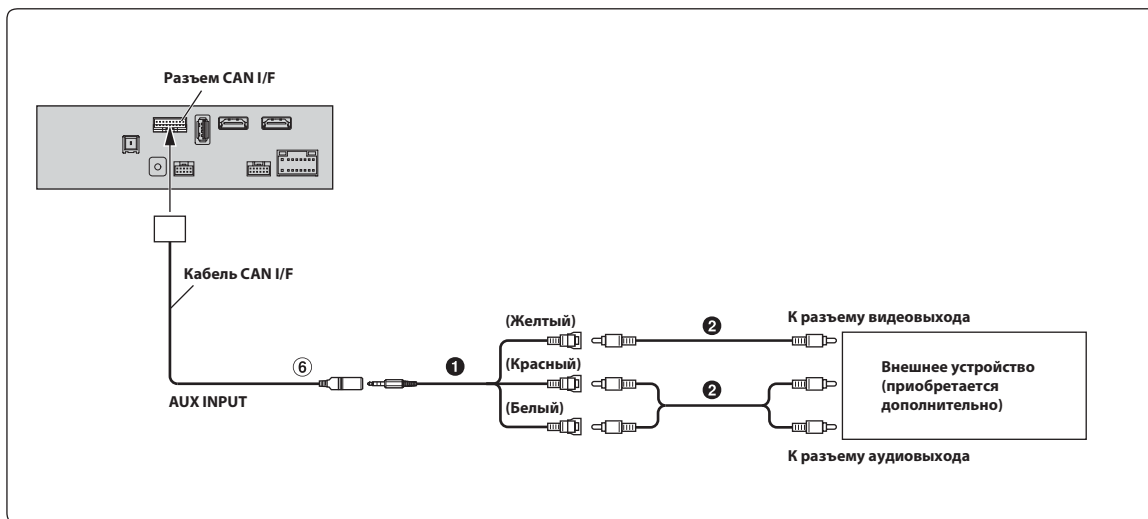
⑳ Выход дистанционного управления (Коричневый)

① Интерфейсный кабель AV/RCA (4-полюсный миниразъем AV к разъему 3-RCA) (приобретается дополнительно)

② Удлинительный кабель RCA (приобретается дополнительно)

- Для получения дополнительной информации об использовании интерфейсного кабеля AV/RCA (4-полюсный миниразъем AV к разъему 3-RCA) см. "Используемый интерфейсный кабель AV/RCA (4-полюсный миниразъем AV к 3-RCA)" (стр. 7).
- Установите для имени AUX значение "DVB-T" или "USB-проигрыватель". Для получения дополнительной информации см. раздел "Настройка имени AUX" в РУКОВОДСТВЕ ПОЛЬЗОВАТЕЛЯ (CD-ROM).

Подключение внешнего устройства



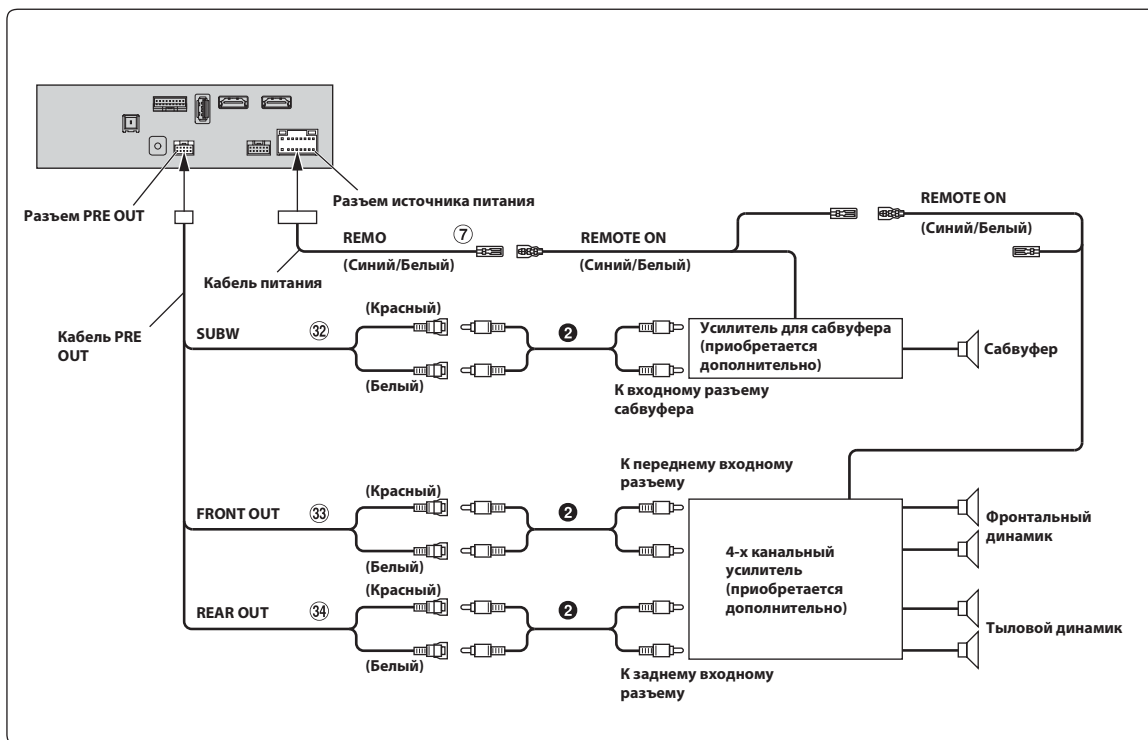
⑥ Разъем AUX Input

① Интерфейсный кабель AV/RCA (4-полюсный миниразъем AV к разъему 3-RCA) (приобретается дополнительно)

② Удлинительный кабель RCA (приобретается дополнительно)

- Есть возможность сменить имя внешнего устройства. Для получения дополнительной информации см. раздел "Настройка имени AUX" в РУКОВОДСТВЕ ПОЛЬЗОВАТЕЛЯ (CD-ROM).
- Для получения дополнительной информации об использовании интерфейсного кабеля AV/RCA (4-полюсный миниразъем AV к разъему 3-RCA) см. "Используемый интерфейсный кабель AV/RCA (4-полюсный миниразъем AV к 3-RCA)" (стр. 7).

Подключение внешнего усилителя



⑦ Вывод удаленного включения (синий/белый)

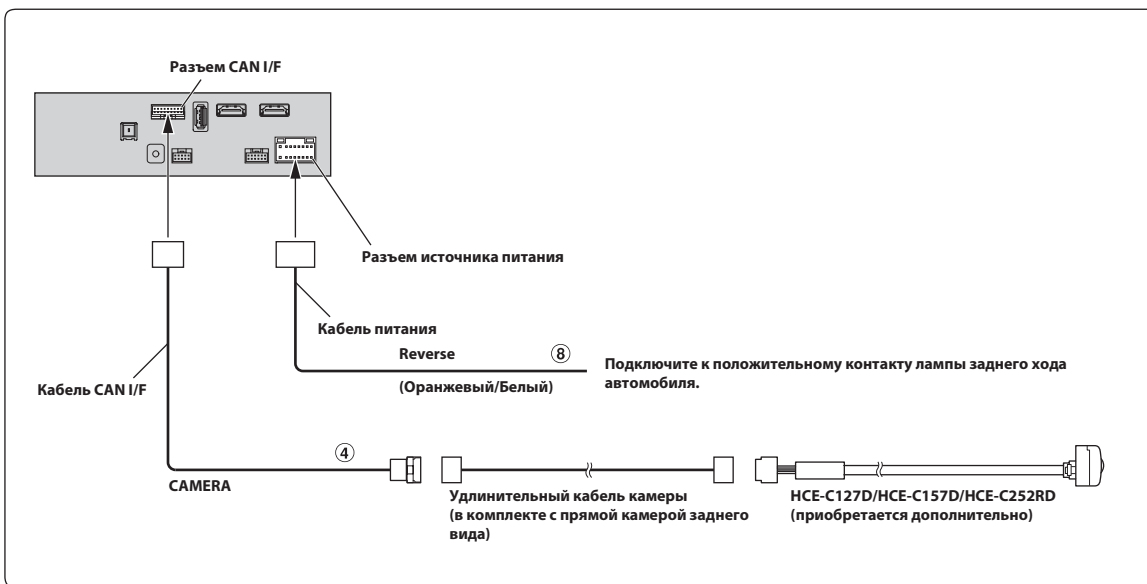
② Удлинительный кабель RCA (приобретается дополнительно)

③② RCA-разъемы сабвуфера

③③ Передние выходные RCA-разъемы

③④ Выходные RCA-разъемы

Подключение камеры заднего вида

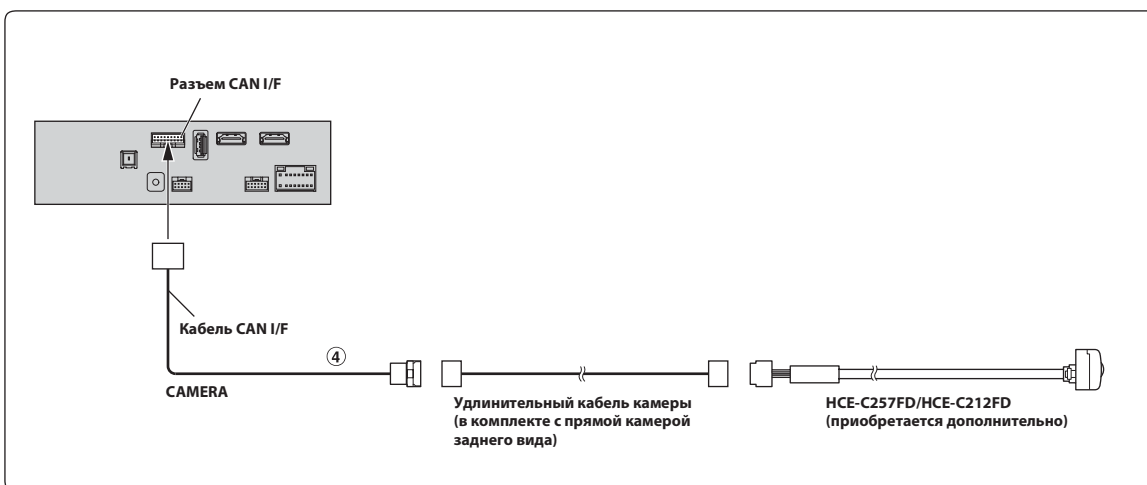


④ Входной прямой разъем CAMERA

⑧ Разъем заднего хода (оранжевый/белый)

- Установите для выбора камеры значение "Тыл". Для получения дополнительной информации см. раздел "Настройка входа камеры" в РУКОВОДСТВЕ ПОЛЬЗОВАТЕЛЯ (CD-ROM).

Подключение передней камеры



④ Входной прямой разъем CAMERA

- Установите для выбора камеры значение "Вперед". Для получения дополнительной информации см. раздел "Настройка входа камеры" в РУКОВОДСТВЕ ПОЛЬЗОВАТЕЛЯ (CD-ROM).

Spis treści

OSTRZEŻENIE	2
PRZESTROGA	2
Środki ostrożności	3
Lista akcesoriów	3
Montaż	3
Przestrogi dotyczące miejsca montażu	3
Montaż anteny GPS wewnątrz pojazdu	3
Montaż mikrofonu	4
Przykładowy montaż wykonany z użyciem oryginalnego wspornika montażowego	4
Połączenia	5
Jeżeli nie jest dostępne zasilanie ACC	8
Przykład systemu	9



OSTRZEŻENIE

Ten symbol umieszczany jest przy ważnych instrukcjach. Nieprzestrzeganie ich może spowodować poważne obrażenia ciała lub śmierć.

NIE ROZKŁADAĆ I NIE WYKONYWAĆ SAMODZIELNYCH MODYFIKACJI.

W przeciwnym wypadku może dojść do wypadku, pożaru lub porażenia prądem.

NIEWIELKIE PRZEDMIOTY, TAKIE JAK WKRETY, PRZECHOWYWAĆ W MIEJSCU NIEDOSTĘPNYM DLA DZIECI.

Połknięcie może spowodować poważne obrażenia ciała. W wypadku połknięcia należy niezwłocznie skontaktować się z lekarzem.

PRZY WYMIANIE BEZPIECZNIKÓW NALEŻY PRZESTRZEGAĆ WŁAŚCIWEGO NATĘŻENIA PRĄDU.

Niezastosowanie się do tego wymogu może spowodować pożar lub porażenie prądem.

NIE ZAKRYWAĆ OTWORÓW WENTYLACYJNYCH I PANELI RADIATORÓW.

W przeciwnym wypadku nieodprowadzone ciepło może spowodować zapalenie urządzenia.

URZĄDZENIE STOSOWAĆ TYLKO W MOBILNYCH INSTALACJACH PRĄDU 12 V.

Niezastosowanie się do tego wymogu może spowodować pożar, porażenie prądem lub inne obrażenia ciała.

PRAWIDŁOWO PODŁĄCZYĆ URZĄDZENIE.

Nieprawidłowe podłączenie może spowodować pożar lub uszkodzenie urządzenia.

UŻYWAĆ TYLKO W POJAZDACH Z ZASILANIEM 12 V I UJEMNYM UZIEMIENIEM.

(W razie wątpliwości należy skontaktować się z najbliższym przedstawicielem firmy). Niezastosowanie się do tego wymogu może spowodować pożar lub inne wypadki.

PRZED PODŁĄCZENIEM PRZEWODÓW NALEŻY ODŁĄCZYĆ PRZEWÓD OD UJEMNEGO BIEGUNA AKUMULATORA.

Niezastosowanie się do tego wymogu może spowodować porażenie prądem lub obrażenia ciała w wyniku zwarcia instalacji elektrycznej.

NIE DOPUŚCIĆ, ABY KABLE ZAPŁAŁY SIĘ W PRZYLEGŁE PRZEDMIOTY.

Ułożyć wiązki i kable zgodnie z instrukcją, aby uniknąć zablokowania ruchu podczas jazdy. Kable lub wiązki blokujące ruch albo zwisające z koła kierownicy, dźwigni zmiany biegów, pedału hamulca itp. stanowią ogromne niebezpieczeństwo.

NIE WOLNO SPLATAĆ ZE SOBĄ PRZEWODÓW ELEKTRYCZNYCH.

Nie wolno zdejmować z kabli elektrycznych izolacji w celu doprowadzenia prądu do innych urządzeń. W przeciwnym wypadku nastąpi przekroczenie obciążalności prądowej przewodu, czego skutkiem będzie pożar lub porażenie prądem.

W TRAKCIE WIERCENIA UWAŻAĆ, ABY NIE USZKODZIĆ RUR I PRZEWODÓW SAMOCHODU.

W wypadku konieczności wiercenia dziur w podwoziu należy przedsięwziąć wszelkie środki ostrożności, aby nie uszkodzić ani nie zablokować rur, przewodu paliwowego, baku albo instalacji elektrycznej. Niezastosowanie odpowiednich środków ostrożności może być przyczyną pożaru.

NIE UZIEMIAĆ INSTALACJI ELEKTRYCZNEJ ZA POŚREDNICTWEM ŚRUB I NAKRĘTEK UKŁADU HAMULCOWEGO I KIEROWNICZEGO.

Śruby i nakrętki wykorzystywane w układzie hamulcowym, kierowniczym (i w innych układach mających wpływ na bezpieczeństwo pojazdu) jak również baku, BEZWZGLĘDNIE nie mogą być wykorzystywane jako elementy instalacji elektrycznej ani uziemiającej. W przeciwnym wypadku może dojść do utraty kontroli nad pojazdem, pożaru, itp.

NIE WOLNO MONTOWAĆ URZĄDZENIA W MIEJSCU, W KTÓRYM UTRUDNIAŁOBY ONO STEROWANIE POJAZDEM, TAKIM JAK KIEROWNICA CZY DŹWIGNIA ZMIANY BIEGÓW.

W przeciwnym wypadku może dojść do ograniczenia widoczności kierowcy i/lub ograniczenia jego ruchów, a w konsekwencji do poważnego wypadku.

NIE WOLNO INSTALOWAĆ MONITORA W POBLIŻU PODUSZKI POWIETRZNEJ PASAŻERA.

Jeśli urządzenie nie zostanie zainstalowane prawidłowo, poduszka powietrzna może nie działać prawidłowo, a po wyzwoleniu może spowodować wyrzucenie monitora do góry, powodując wypadki obrażenia.



PRZESTROGA

Ten symbol umieszczany jest przy ważnych instrukcjach. Nieprzestrzeganie ich może spowodować obrażenia ciała lub szkody materialne.

WYKONANIE I PODŁĄCZENIE INSTALACJI KABLOWEJ NALEŻY POZOSTAWIĆ SPECJALIŚCIE.

Wykonanie i podłączenie instalacji do tego urządzenia wymaga specjalistycznych umiejętności technicznych i doświadczenia. Ze względów bezpieczeństwa należy zlecić te prace przedstawicielowi firmy, od której urządzenie zostało nabyte.

DO PRAC MONTAŻOWYCH STOSOWAĆ WYSZCZEGÓLNIONE AKCESORIA I MOCOWAĆ JE W SPOSÓB PEWNY.

Zawsze stosować wyłącznie wyszczególnione akcesoria. Użycie części innych niż wyszczególnione może skutkować uszkodzeniem podzespołów wewnętrznych urządzenia lub jego niewłaściwym zamocowaniem. W efekcie części mogą ulec poluzowaniu i stanowić zagrożenie dla ludzi lub innych przedmiotów.

PRZEWODY INSTALACJI NALEŻY POPROWADZIĆ W TAKI SPOSÓB, BY NIE BYŁY ŚCIŚNIĘTE OSTRYMI METALOWYMI KRAWĘDZIAMI.

Kable i przewody należy poprowadzić z dala od części ruchomych (jak np. szyn siedzeń) oraz ostrych lub spiczastych krawędzi. Zapobiegnie to ściśnięciu przewodu i uszkodzeniu instalacji. Jeżeli konieczne jest przeprowadzenie przewodów przez otwór w metalu, należy zastosować gumową przelotkę, aby zapobiec ocieraniu się izolacji o krawędź metalu.

NIE MONTOWAĆ W MIEJSCACH O DUŻEJ WILGOTNOŚCI LUB ZAPYLENIU.

Unikać montażu urządzenia w miejscach o dużej wilgotności lub zapyleniu. Wilgoć i pył przenikają do wnętrza urządzenia i mogą powodować awarie.

Środki ostrożności

- Przed rozpoczęciem montażu urządzenia należy odłączyć kabel od ujemnej (-) końcówki akumulatora. Ograniczy to możliwość uszkodzenia urządzenia w przypadku spięcia.
- Przewody oznaczone odpowiednimi kolorami należy podłączyć zgodnie ze schematem. Nieprawidłowe podłączenie przewodów może spowodować uszkodzenie urządzenia lub instalacji elektrycznej pojazdu.
- Podczas podłączania urządzenia do instalacji elektrycznej pojazdu należy uwzględnić elementy zainstalowane fabrycznie (np. komputer pokładowy). Nie należy wykonywać połączeń z tymi obwodami w celu zapewnienia zasilania tego urządzenia. Podczas podłączania urządzenia do skrzynki bezpieczników należy upewnić się, że bezpiecznik dla obwodu urządzenia ma odpowiednią wartość znamionową. W przypadku wątpliwości należy skontaktować się z przedstawicielem handlowym firmy Alpine.
- Urządzenie wyposażone jest w żeńskie złącza RCA do podłączania innych urządzeń (np. wzmacniacza) ze złączami RCA. W celu podłączenia innych urządzeń może być wymagane użycie adapterów. W celu uzyskania pomocy należy skontaktować się z autoryzowanym przedstawicielem handlowym firmy Alpine.
- Przewody (-) głośników należy podłączyć do złącza (-) głośników. Nigdy nie wolno łączyć kabli prawego i lewego kanału ze sobą ani z karoserią samochodu.

Lista akcesoriów

• X803D-U lub INE-W720D.....	1
• Kabel zasilający.....	1
• Antena GPS.....	1
• Płyta montażowa anteny.....	1
• Zacisk kabla anteny.....	1 zestaw
• Przedłużacz USB.....	1
• Kabel PRE OUT.....	1
• Mikrofon.....	1
• Kabel CAN I/F.....	1
• Kabel W.REMOTE.....	1
• Płyta czołowa (tylko model INE-W720D).....	1
• Wspornik mocujący HDMI.....	1
• Śruba z łbem płaskim (M5×8).....	4
• Śruba (M5×8).....	4
• Instrukcja obsługi.....	1 zestaw

Montaż

Użytkownik X803D-U

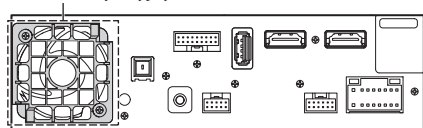
Aby zainstalować urządzenie X803D-U, należy zapoznać się z instrukcją obsługi dostępną w oddzielnie zakupionym zestawie instalacyjnym dla danego typu pojazdu.

Przeostroga

Nie należy blokować wentylatora urządzenia, ponieważ uniemożliwi to prawidłową cyrkulację powietrza. Zablokowanie tego elementu może spowodować nagromadzenie się ciepła wewnątrz urządzenia i doprowadzić do pożaru.

<przykład>

Otwór wentylacyjny

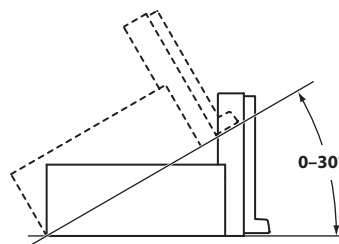


Tylna strona urządzenia

Przeostrogi dotyczące miejsca montażu

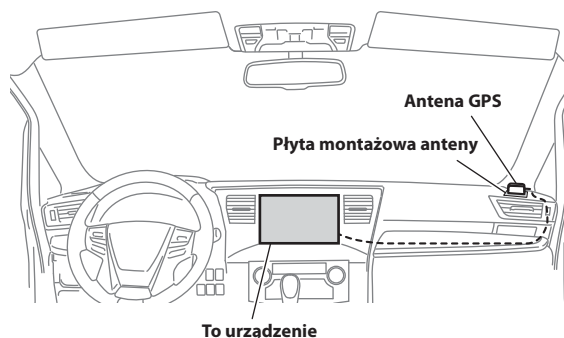
Kąt montażu

Montować pomiędzy ustawieniem poziomym a kątem 30°. Montaż pod kątem spoza tego przedziału będzie skutkował pogorszeniem wydajności i może spowodować uszkodzenie.



Montaż anteny GPS wewnątrz pojazdu

- 1 Wyczyść miejsce montażu.
- 2 Zamocuj płytę montażową anteny GPS.
- 3 Zamontuj antenę GPS.



To urządzenie

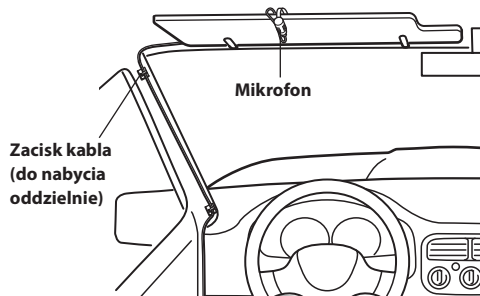
- Anteny GPS nie należy montować wewnątrz konsoli środkowej.
 - Antenę GPS należy zamontować na płaskiej powierzchni deski rozdzielczej lub tylnej półki.
 - Należy upewnić się, że antena GPS nie jest zasłonięta przez żadną metalową powierzchnię lub obiekt.
- Jeśli antena GPS zostanie zamontowana w pobliżu urządzenia, odbierany sygnał może być słaby, a lokalizacja pojazdu może nie być wyświetlana prawidłowo.
 - Antenę GPS należy zamontować w wystarczającej odległości od urządzenia.
 - Kabel anteny GPS należy poprowadzić z dala od tylnej części urządzenia.
- Niektóre szyby odbijające lub pochłaniające ciepło mogą zakłócać fale o wysokiej częstotliwości. Jeśli po zainstalowaniu anteny wewnątrz pojazdu odbierany sygnał jest zbyt słaby, należy spróbować zamontować antenę na zewnątrz pojazdu.

Montaż mikrofonu

Dla bezpiecznego użytkownika, upewnij się że:

- Miejsce jest mocne i stabilne.
- Pola widzenia i ruchu kierowcy nie są ograniczone.
- Mikrofon znajduje się w miejscu, skąd głos kierowcy może być łatwo odbierany (na osłonie przeciwslonecznej itp.).

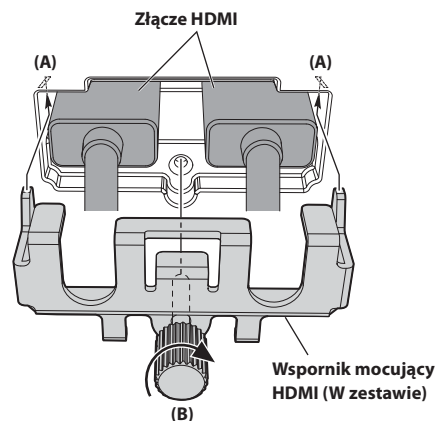
Podczas mówienia do mikrofonu nie powinno się zmieniać pozycji prowadzenia pojazdu. Może to spowodować odwrócenie uwagi od bezpiecznego prowadzenia pojazdu. Ostrożnie rozważ odległość podczas montażu mikrofonu. Upewnij się, że głos kierowcy jest dobrze odbierany w wybranym miejscu.



Uwaga dotycząca korzystania z przewodów połączeniowych HDMI

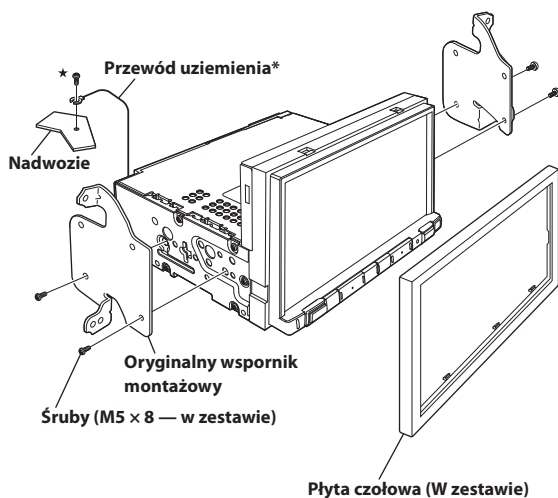
Przewody połączeniowe HDMI należy podłączyć do złącza HDMI przy użyciu dostarczonego wspornika mocującego HDMI.

- 1 Wsuń wspornik mocujący HDMI w prowadnice (A).
- 2 Przykręć go przy użyciu śruby (B).



Przykładowy montaż wykonany z użyciem oryginalnego wspornika montażowego

- 1 Przymocuj oryginalny wspornik montażowy do urządzenia przy użyciu dostarczonych śrub.



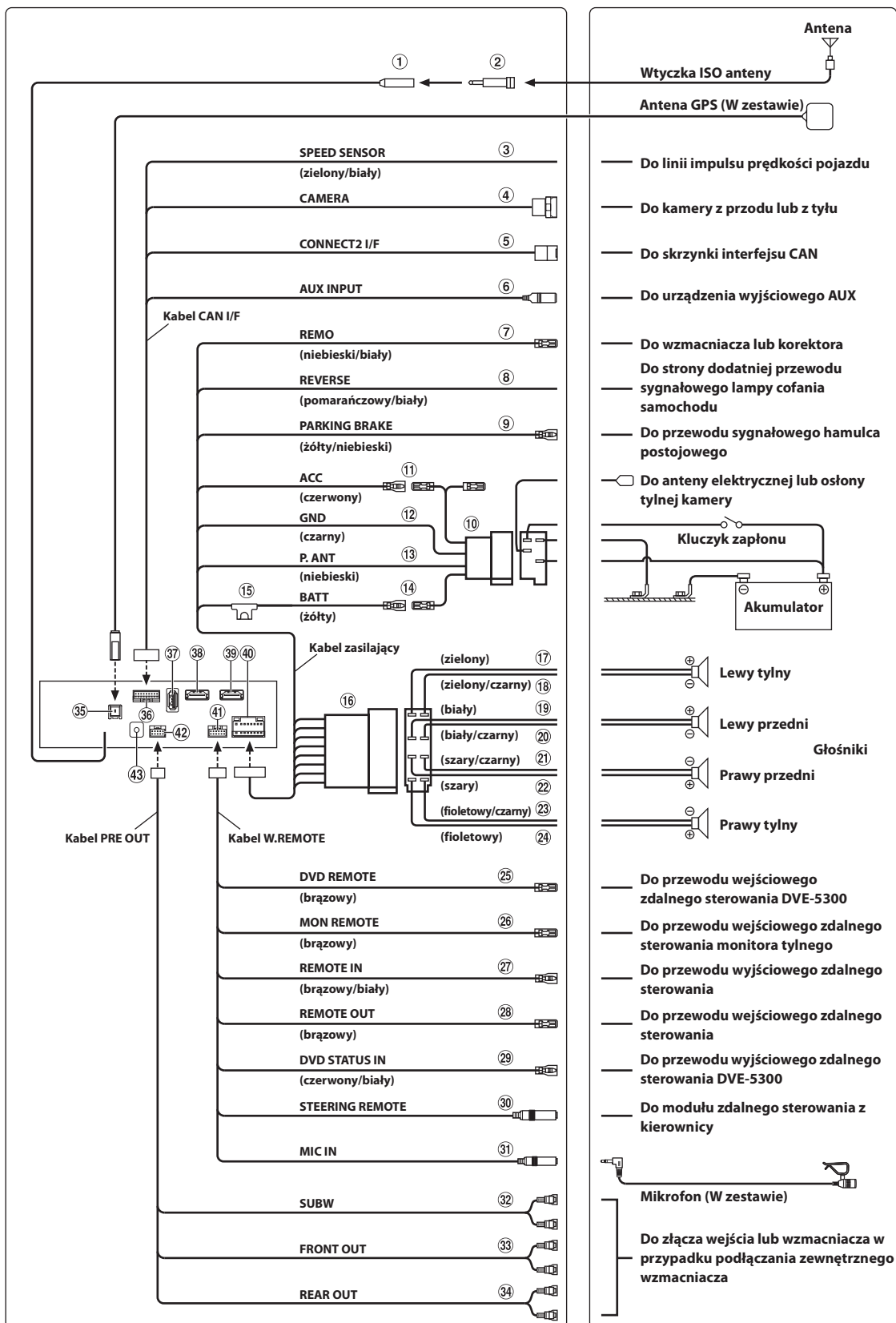
* Do bezpiecznego podłączenia przewodu uziemienia należy użyć śruby zamocowanej już na części pojazdu (oznaczonej (★)) lub czystego, niepomalowanego elementu metalowego na karoserii pojazdu.

- 2 Podłącz wszystkie przewody urządzenia zgodnie z opisem w sekcji „Połączenia” (str. 5).

- 3 Zamontuj urządzenie w samochodzie.

- Należy zadbać o pewne podłączenie przewodów. Nie wolno ich uszkodzić poprzez podłączenie do części ruchomych, takich jak szyna siedzenia, ani poprzez umieszczenie przy ostrych lub spiczastych krawędziach.

Połączenia

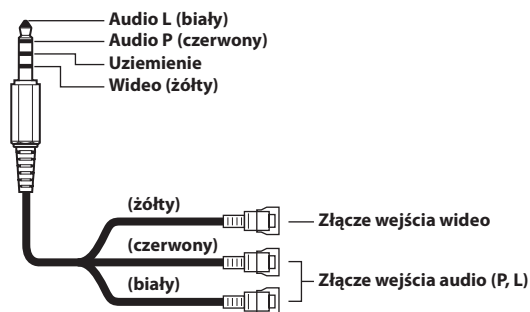


- ① **Złącze anteny radiowej**
- ② **Adapter ISO/JASO anteny (sprzedawany oddzielnie)**
W zależności od pojazdu, może być wymagany adapter ISO/JASO anteny.
- ③ **Przewód czujnika prędkości (zielony/biały)**
Nieprawidłowe podłączenie linii impulsu prędkości może spowodować awarię ważnych funkcji bezpieczeństwa pojazdu (takich jak hamulce czy poduszki powietrzne). Takie awarie mogą doprowadzić do wypadku i utraty życia. Zalecamy, aby instalacji dokonał przeszkolony, autoryzowany przedstawiciel handlowy firmy Alpine.
- ④ **Bezpośrednie złącze wejściowe CAMERA**
Należy użyć w przypadku bezpośredniego podłączenia opcjonalnej kamery.
- ⑤ **Złącze CAN-I/F**
Do skrzynki CAN-I/F
- ⑥ **Złącze wejścia AUX**
Przewód wejściowy sygnału audio/wideo z urządzenia AUX.
 - Wymagany jest sprzedawany oddzielnie kabel interfejsu AV/RCA (4-bolcowa wtyczka mini AV do 3-RCA). Szczegółowe informacje na temat sposobu wykorzystania kabla interfejsu AV/RCA (4-bolcowej wtyczki mini AV do 3-RCA) można znaleźć w części „Kabel użytkowy interfejsu AV/RCA (4-bolcowa wtyczka mini AV do 3-RCA)” (str. 7).
- ⑦ **Przewód zdalnego włączania (niebieski/biały)**
Podłącz ten przewód do przewodu zdalnego włączania we wzmacniaczu lub procesorze sygnału.
- ⑧ **Przewód biegu wstecznego (pomarańczowy/biały)**
Podłącz do złącza dodatniego świateł cofania samochodu. Te światła zapalają się po ustawieniu skrzyni biegów na biegu wstecznym (R).
Po prawidłowym poprowadzeniu tego przewodu obraz wideo automatycznie przełączy się na kamerę tylną, po rozpoczęciu cofania (R).
- ⑨ **Przewód hamulca postojowego (żółty/niebieski)**
Podłącz ten przewód do złącza zasilania przełącznika hamulca postojowego, aby przesyłać sygnały stanu hamulca postojowego do urządzenia.
- ⑩ **Złącze zasilania ISO**
- ⑪ **Przewód włączenia zasilania (zapłonu) (czerwony)**
Podłącz ten przewód do otwartego złącza w skrzynce bezpieczników pojazdu lub innego nieużywanego źródła zasilania o napięciu (+) 12 V tylko po włączeniu zapłonu lub ustawieniu kluczyka w położeniu akcesoriów.
- ⑫ **Przewód uziemienia (czarny)**
Podłącz ten przewód do uziemienia podwozia pojazdu. Upewnij się, że przewód jest połączony z niepomalowanym elementem metalowym i dokładnie dokręcony dostarczoną śrubą.
- ⑬ **Przewód anteny elektrycznej (niebieski)**
Podłącz ten przewód do złącza +B anteny elektrycznej, jeżeli ma to zastosowanie.
 - Gdy tylna kamera pojazdu jest wyposażona w elektryczną osłonę ochronną, zmień ustawienie Osłona tylnej kamery na On i podłącz ten przewód do złącza +B osłony ochronnej tylnej kamery.
 - Ten przewód powinien być używany wyłącznie do sterowania anteną elektryczną pojazdu lub osłoną ochronną tylnej kamery. Nie należy używać tego przewodu do włączania wzmacniacza lub procesora sygnału.
- ⑭ **Przewód akumulatora (żółty)**
Podłącz ten przewód do dodatniej końcówki (+) akumulatora pojazdu.
- ⑮ **Uchwyt bezpieczników (15 A)**
- ⑯ **Złącze ISO (wyjście głośnika)**
- ⑰ **Przewód wyjściowy głośnika lewego tylnego (+) (zielony)**
- ⑱ **Przewód wyjściowy głośnika lewego tylnego (-) (zielony/czarny)**
- ⑲ **Przewód wyjściowy głośnika lewego przedniego (+) (biały)**
- ⑳ **Przewód wyjściowy głośnika lewego przedniego (-) (biały/czarny)**
- ㉑ **Przewód wyjściowy głośnika prawego przedniego (-) (szary/czarny)**
- ㉒ **Przewód wyjściowy głośnika prawego przedniego (+) (szary)**
- ㉓ **Przewód wyjściowy głośnika prawego tylnego (-) (fioletowy/czarny)**
- ㉔ **Przewód wyjściowy głośnika prawego tylnego (+) (fioletowy)**
- ㉕ **Przewód wyjściowy zdalnego sterowania (brązowy) (do odtwarzacza DVD DVE-5300)**
Podłącz ten przewód do przewodu wejściowego zdalnego sterowania. Ten przewód przekazuje sygnały sterujące z modułu zdalnego sterowania.
- ㉖ **Przewód wyjściowy zdalnego sterowania (brązowy) (do monitora tylnego)**
Podłącz ten przewód do przewodu wejściowego zdalnego sterowania. Ten przewód przekazuje sygnały sterujące z modułu zdalnego sterowania.
- ㉗ **Przewód wejściowy zdalnego sterowania (brązowy/ biały)**
Podłącz urządzenie zewnętrzne firmy Alpine do przewodu wyjściowego zdalnego sterowania.

- ②8 **Przewód wyjściowy zdalnego sterowania (brązowy)**
Podłącz ten przewód do przewodu wejściowego zdalnego sterowania. Ten przewód przekazuje sygnały sterujące z modułu zdalnego sterowania.
- ②9 **Przewód wejściowy sterowania odtwarzaczem DVD (czerwony/biały) (do odtwarzacza DVD DVE-5300)**
Podłącz odtwarzacz DVD DVE-5300 do przewodu wyjściowego zdalnego sterowania.
- ③0 **Złącze interfejsu zdalnego sterowania z kierownicy**
Do modułu zdalnego sterowania z kierownicy.
Aby uzyskać szczegółowe informacje na temat połączeń, skontaktuj się z najbliższym przedstawicielem handlowym firmy Alpine.
- ③1 **Złącze wejścia MIC**
Do mikrofonu (W zestawie)
 - Jeśli używany jest dołączony mikrofon, ustaw opcję *Wybór mikrofonu* na „Add-on”. Szczegółowe informacje można znaleźć w INSTRUKCJI OBSŁUGI (na płycie CD-ROM) w części „Konfiguracja wyboru mikrofonu”.
- ③2 **Złącza RCA subwoofera**
Prawe złącze jest CZERWONE, lewe jest BIAŁE.
- ③3 **Przednie złącza wyjściowe RCA**
Można ich użyć jako przednich złączy wyjściowych RCA. Prawe złącze jest CZERWONE, lewe jest BIAŁE.
- ③4 **Tylne złącza wyjściowe RCA**
Można ich użyć jako tylnych złączy wyjściowych RCA. Prawe złącze jest CZERWONE, lewe jest BIAŁE.
- ③5 **Gniazdo anteny GPS**
Podłącz do anteny GPS (W zestawie).
- ③6 **Złącze CAN I/F**
- ③7 **Złącze USB**
Do dysku flash USB, urządzenia iPod/iPhone lub smartfona z systemem Android.
- ③8 **Złącze wejścia HDMI**
- ③9 **Złącze wyjścia HDMI**
- ④0 **Złącze zasilania**
- ④1 **Złącze W.REMOTE**
- ④2 **Złącze PRE OUT**
- ④3 **Złącze anteny DAB**
Do anteny DAB (sprzedawana oddzielnie).

Kabel użytkowy interfejsu AV/RCA (4-bolcowa wtyczka mini AV do 3-RCA)

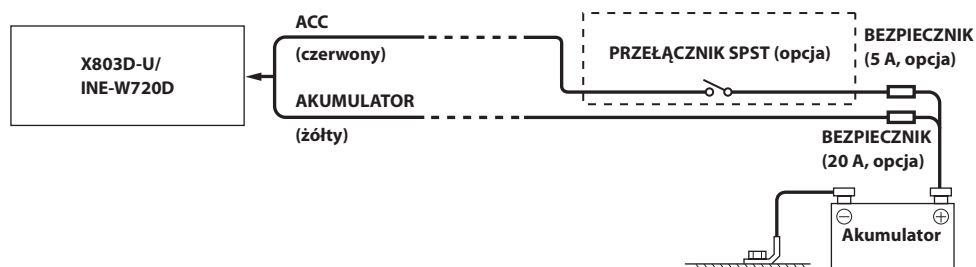
Poniżej przedstawiono sposób połączenia przewodów w tym systemie:



- Konfiguracja dostępnych na rynku 4-bolcowych wtyczek mini AV nie jest ustandaryzowana.

Jeżeli nie jest dostępne zasilanie ACC

Schemat połączeń przełącznika SPST (sprzedawany oddzielnie)



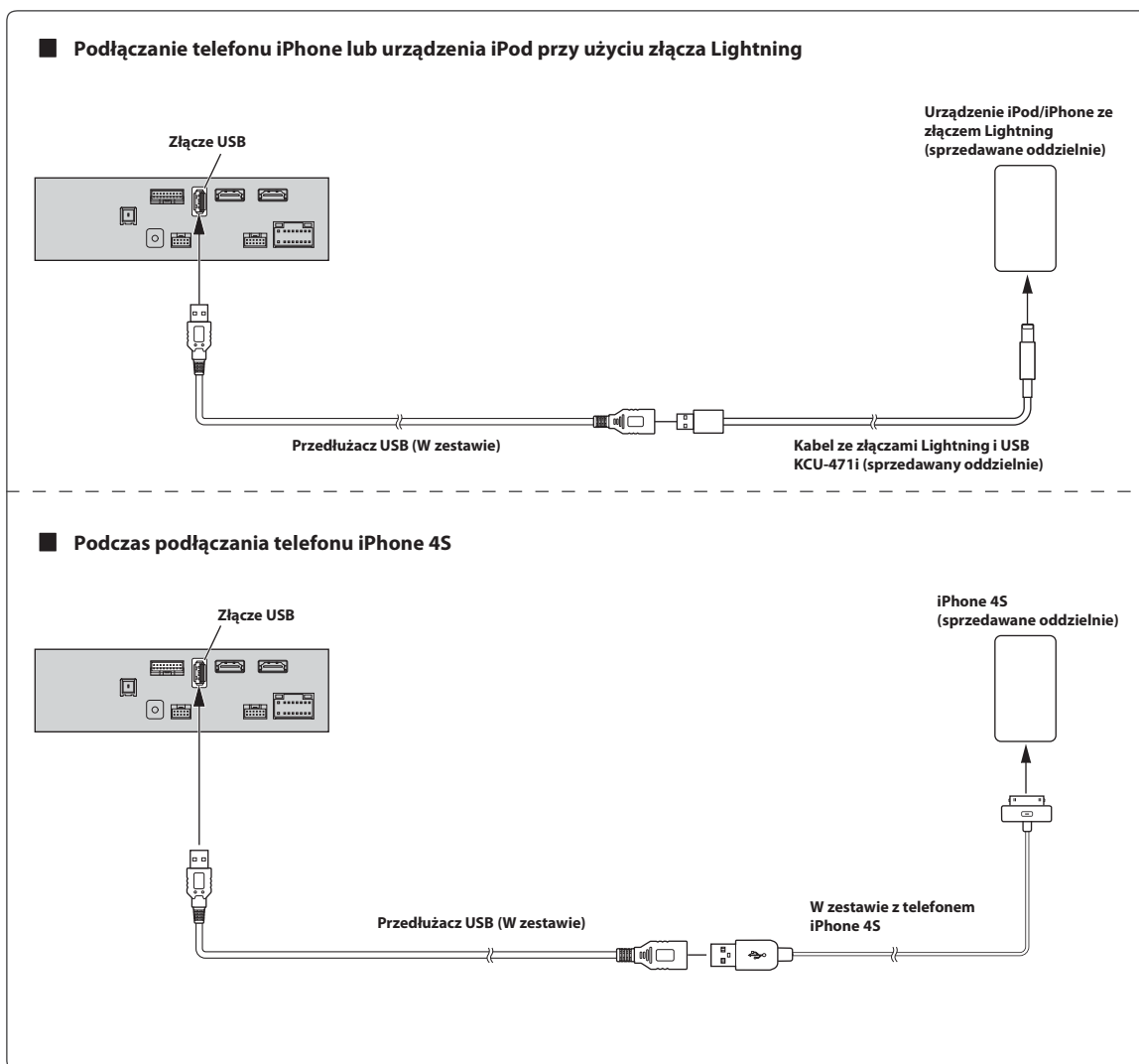
- Jeżeli pojazd nie umożliwia zasilania w trybie ACC, należy dodać przełącznik jednobiegunowy i jednostanowy SPST (Single-Pole, Single-Throw, sprzedawany oddzielnie) i bezpiecznik (sprzedawany oddzielnie).
- Schemat i wartość znamionowa bezpiecznika podane powyżej dotyczą przypadku, gdy urządzenie jest używane jako samodzielne.
- Jeżeli przelączony przewód zasilania (zapłonu) urządzenia zostanie podłączony bezpośrednio do słupka dodatniego (+) akumulatora pojazdu, urządzenie będzie pobierało prąd (kilkaset miliamperów) nawet po ustawieniu przełącznika w pozycji wyłączenia (OFF), co może spowodować rozładowanie akumulatora.

Zapobieganie przenikaniu szumów zewnętrznych do systemu audio.

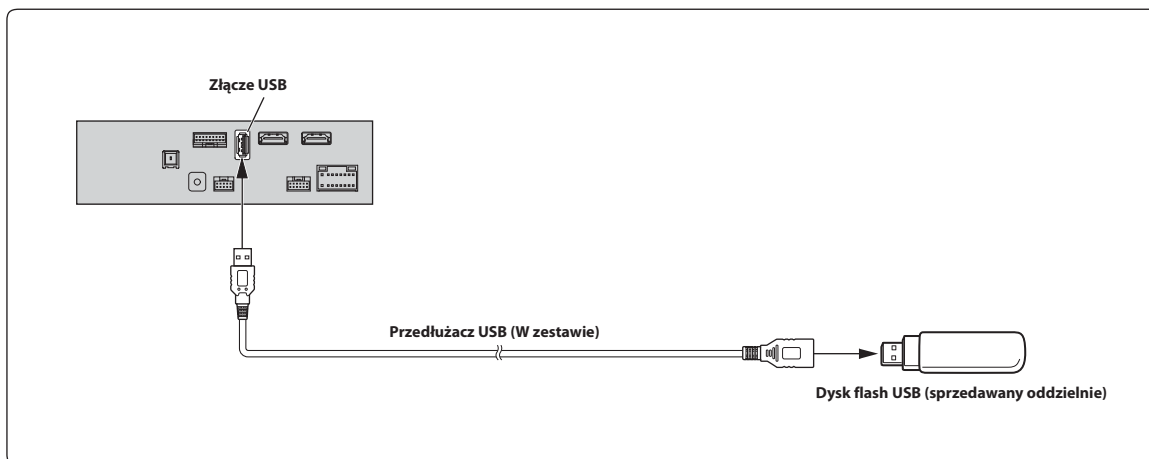
- Urządzenie i kable należy poprowadzić co najmniej 10 cm od instalacji elektrycznej samochodu.
- Przewody zasilania akumulatora należy umieścić jak najdalej od innych przewodów.
- Przewód uziemienia należy dokładnie podłączyć do niepomalowanego elementu metalowego (w razie potrzeby należy usunąć farbę i zanieczyszczenia) podwozia samochodu.
- W przypadku dodawania opcjonalnego tłumika szumów należy podłączyć go jak najdalej od urządzenia. Aby uzyskać informacje na temat dostępnych tłumików szumów, należy skontaktować się z przedstawicielem handlowym firmy Alpine.
- Przedstawiciel handlowy firmy Alpine posiada obszerne informacje na temat eliminowania szumów; aby dowiedzieć się więcej, należy się z nim skontaktować.

Przykład systemu

Podłączanie telefonu iPhone lub urządzenia iPod

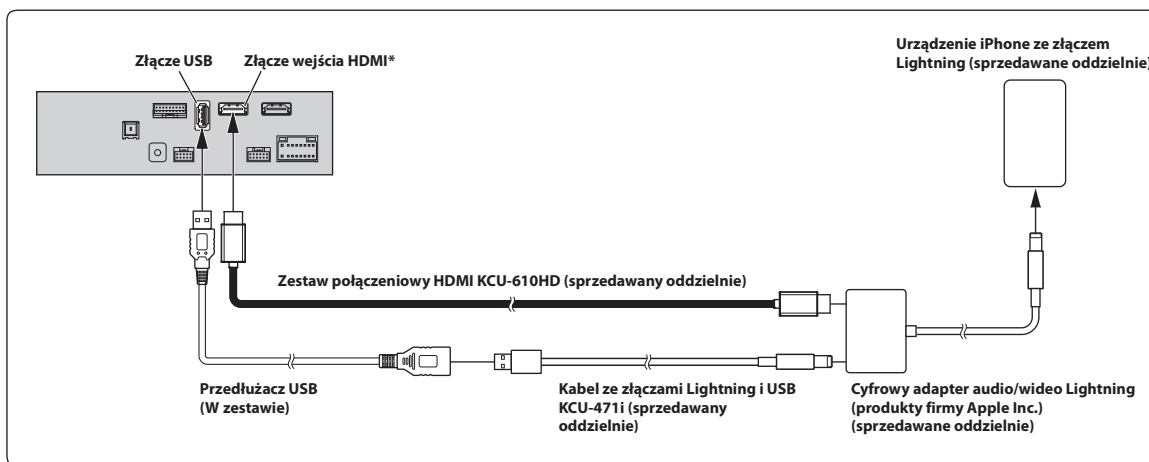


Podłączenie dysku flash



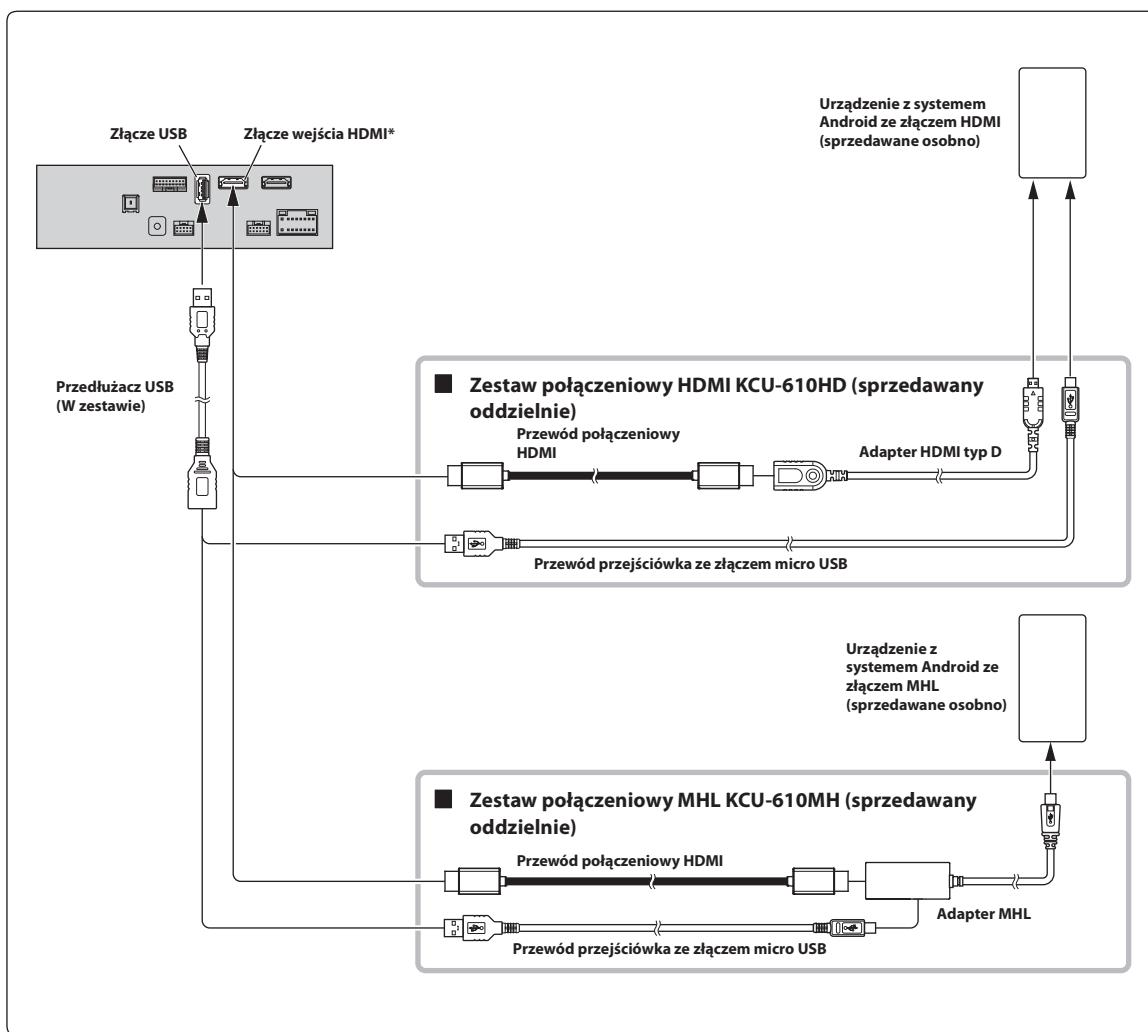
- Nie należy zostawiać dysku flash w pojeździe przez dłuższy czas. Wysoka temperatura oraz wilgotność mogą uszkodzić dysk flash.

Podłączenie urządzenia HDMI (telefonu iPhone ze złączem Lightning)



- * Przy podłączeniu przewodu połączeniowego HDMI należy użyć dostarczonego wspornika mocującego HDMI. Szczegółowe informacje na temat sposobu jego użycia można znaleźć w części „Uwaga dotycząca korzystania z przewodów połączeniowych HDMI” (str. 4).
- W konfiguracji HDMI należy wybrać opcję „HDMI”. Szczegółowe informacje można znaleźć w INSTRUKCJI OBSŁUGI (na płycie CD-ROM) w części „Ustawienie HDMI”.

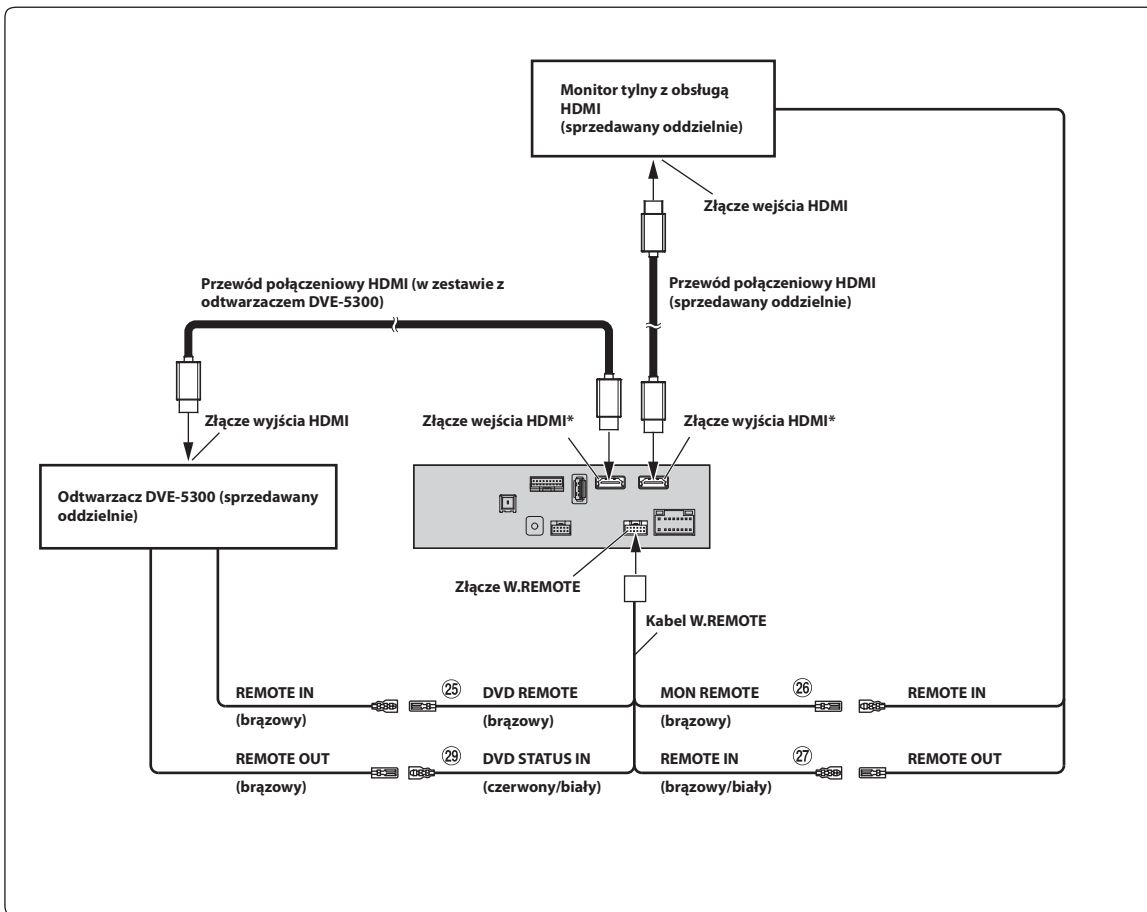
Podłączanie urządzenia HDMI (urządzenia z systemem Android)



- Niezbędny jest zestaw połączeniowy lub zestaw adapterów odpowiedni do typu złącza urządzenia, które ma zostać podłączone.
- W konfiguracji HDMI należy wybrać opcję „HDMI”. Szczegółowe informacje można znaleźć w INSTRUKCJI OBSŁUGI (na płycie CD-ROM) w części „Ustawienie HDMI”.

* Przy podłączaniu przewodu połączeniowego HDMI należy użyć dostarczonego wspornika mocującego HDMI. Szczegółowe informacje na temat sposobu jego użycia można znaleźć w części „Uwaga dotycząca korzystania z przewodów połączeniowych HDMI” (str. 4).

Podłączenie odtwarzacza DVE-5300 oraz monitora tylnego z obsługą HDMI



②⑤ Przewód wyjściowy zdalnego sterowania (brązowy) (do odtwarzacza DVD DVE-5300)

②⑦ Przewód wejściowy zdalnego sterowania (brązowy/biały) (do monitora tylnego)

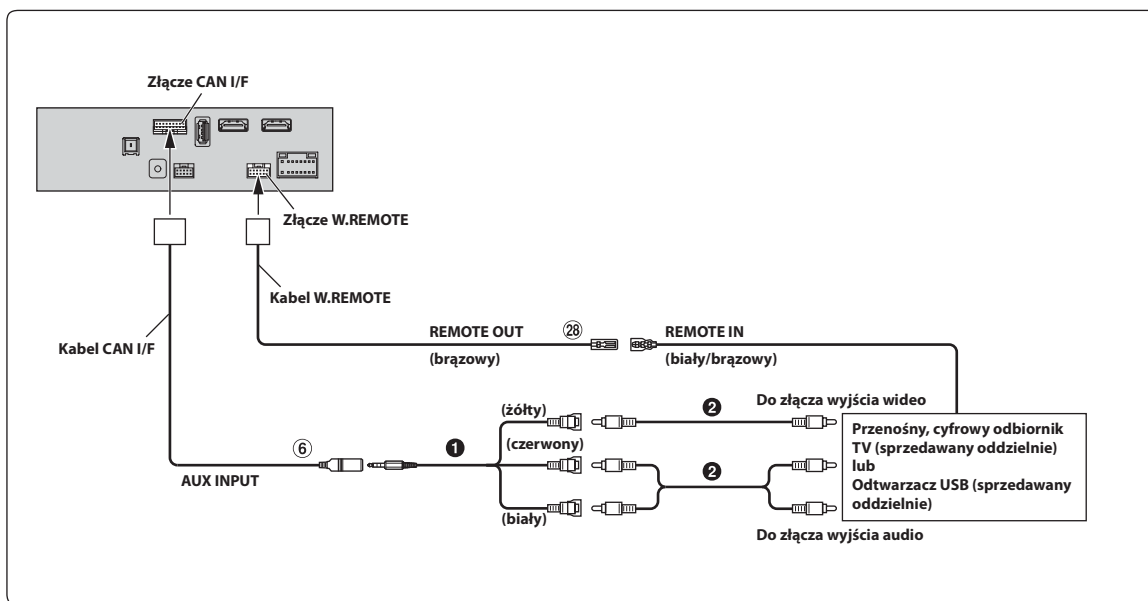
②⑥ Przewód wyjściowy zdalnego sterowania (brązowy) (do monitora tylnego)

②⑨ Przewód wejściowy sterowania odtwarzaczem DVD (czerwony/biały) (do odtwarzacza DVD DVE-5300)

* Przy podłączeniu przewodu połączeniowego HDMI należy użyć dostarczonego wspornika mocującego HDMI. Szczegółowe informacje na temat sposobu jego użycia można znaleźć w części „Uwaga dotycząca korzystania z przewodów połączeniowych HDMI” (str. 4).

• W konfiguracji HDMI należy wybrać opcję „DVD”. Szczegółowe informacje można znaleźć w INSTRUKCJI OBSŁUGI (na płycie CD-ROM) w części „Ustawienie HDMI”.

Podłączenie przenośnego, cyfrowego odbiornika TV lub odtwarzacza USB



⑥ Złącze wejścia AUX

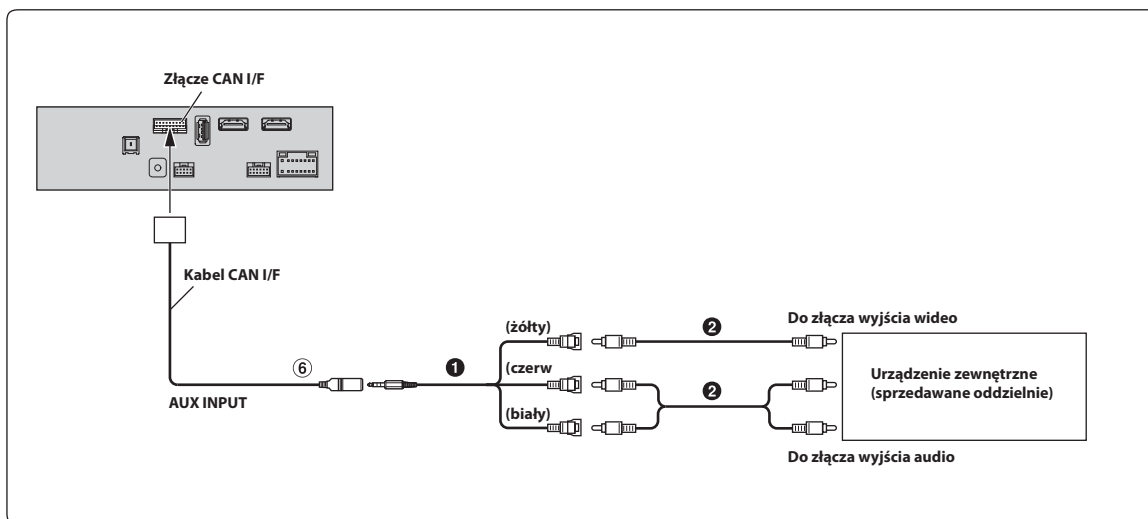
⑳ Przewód wyjściowy zdalnego sterowania (brązowy)

① Kabel interfejsu AV/RCA (4-bolcowa wtyczka mini AV do 3-RCA) (sprzedawany oddzielnie)

② Przedłużacz kabla RCA (sprzedawany oddzielnie)

- Szczegółowe informacje na temat sposobu wykorzystania kabla interfejsu AV/RCA (4-bolcowa wtyczka mini AV do 3-RCA) można znaleźć w części „Kabel użytkowy interfejsu AV/RCA (4-bolcowa wtyczka mini AV do 3-RCA)” (str. 7).
- W polu Nazwa AUX należy podać nazwę „DVB-T” lub „Odtwarzacz USB”. Szczegółowe informacje można znaleźć w INSTRUKCJI OBSŁUGI (na płycie CD-ROM) w części „Ustawiania nazwy urządzenia dodatkowego (AUX)”.

Podłączenie urządzeń zewnętrznych



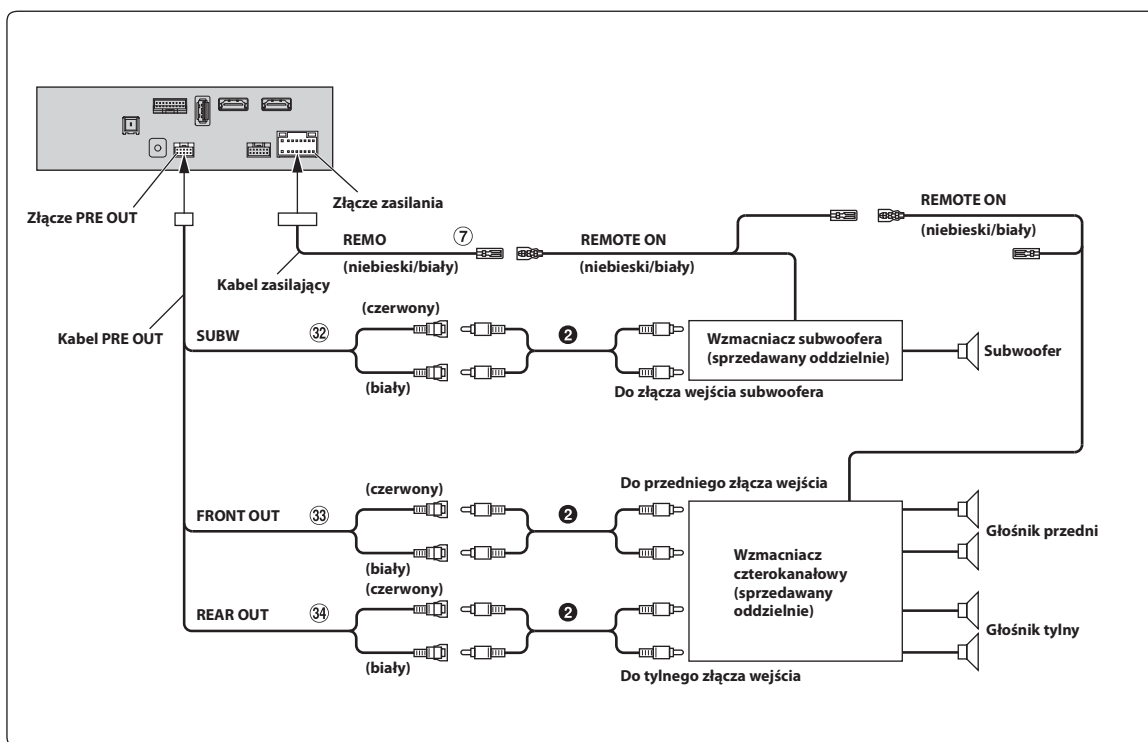
⑥ Złącze wejścia AUX

① Kabel interfejsu AV/RCA (4-bolcowa wtyczka mini AV do 3-RCA) (sprzedawany oddzielnie)

② Przedłużacz kabla RCA (sprzedawany oddzielnie)

- Możliwa jest zmiana nazwy urządzenia zewnętrznego. Szczegółowe informacje można znaleźć w INSTRUKCJI OBSŁUGI (na płycie CD-ROM) w części „Ustawiania nazwy urządzenia dodatkowego (AUX)”.
- Szczegółowe informacje na temat sposobu wykorzystania kabla interfejsu AV/RCA (4-bolcowa wtyczka mini AV do 3-RCA) można znaleźć w części „Kabel użytkowy interfejsu AV/RCA (4-bolcowa wtyczka mini AV do 3-RCA)” (str. 7).

Podłączenie zewnętrznego wzmacniacza



⑦ Przewód zdalnego włączania (niebieski/biały)

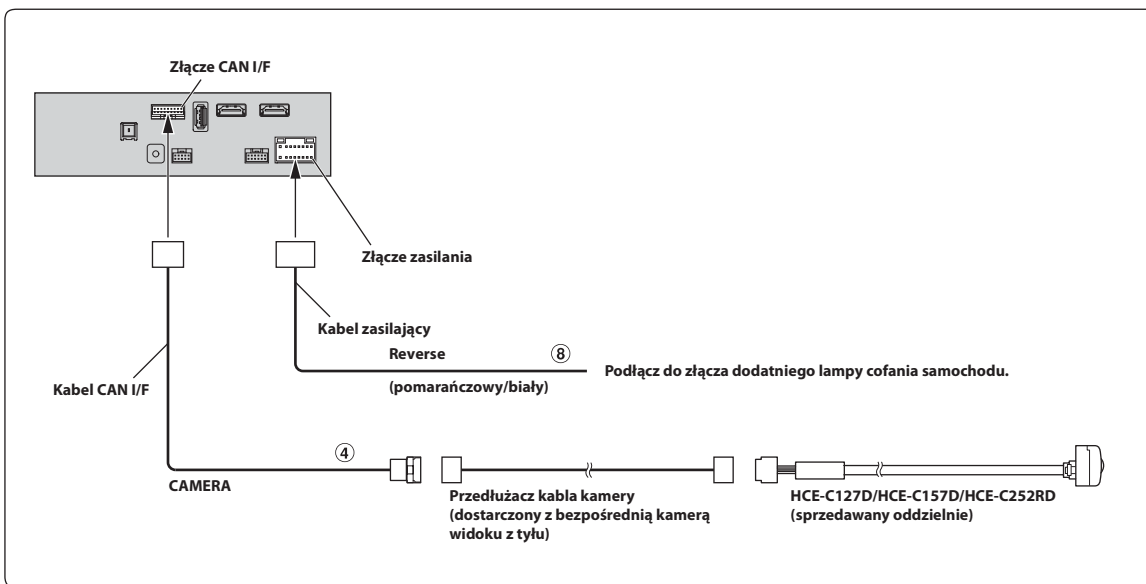
② Przedłużacz kabla RCA (sprzedawany oddzielnie)

③② Złącza RCA subwoofera

③③ Przednie złącza wyjściowe RCA

③④ Tylne złącza wyjściowe RCA

Podłączanie kamery widoku z tyłu

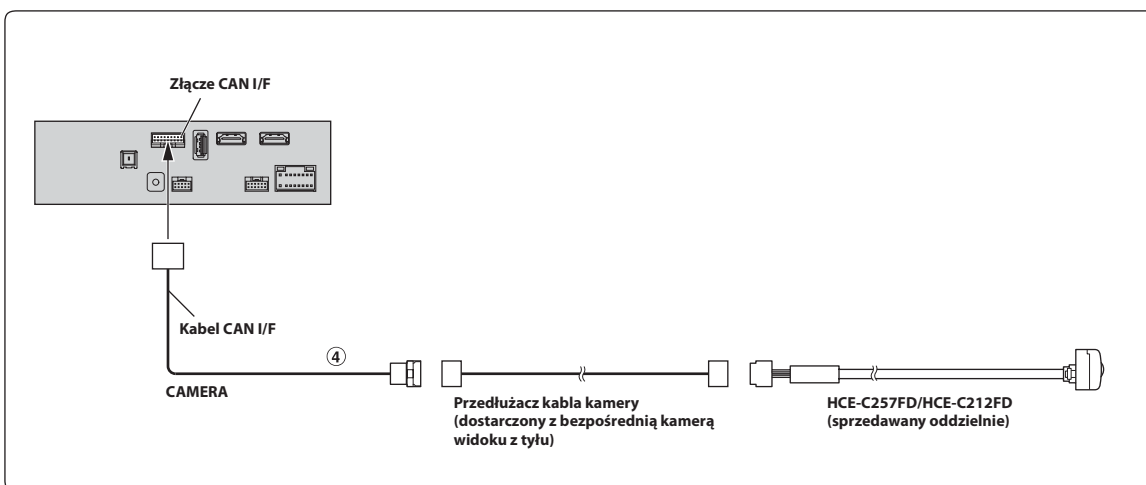


④ Bezpośrednie złącze wejściowe CAMERA

⑧ Przewód biegu wstecznego (pomarańczowy/biały)

- W obszarze Wybór kamery należy ustawić opcję „Tył”. Szczegółowe informacje można znaleźć w INSTRUKCJI OBSŁUGI (na płycie CD-ROM) w części „Ustawianie wejścia kamery”.

Podłączanie kamery widoku z przodu



④ Bezpośrednie złącze wejściowe CAMERA

- W obszarze Wybór kamery należy ustawić opcję „Przód”. Szczegółowe informacje można znaleźć w INSTRUKCJI OBSŁUGI (na płycie CD-ROM) w części „Ustawianie wejścia kamery”.

