

**Manual**

EN

**Handleiding**

NL

**Manuel**

FR

**Anleitung**

DE

**Manual**

SE



## 1. General Description

### Protects each individual cell of a Victron lithium iron phosphate (LiFePO<sub>4</sub>) battery

Each individual cell of a LiFePO<sub>4</sub> battery must be protected against over voltage, under voltage and over temperature. Victron LiFePO<sub>4</sub> batteries have integrated Balancing, Temperature and Voltage control (acronym: BTM) and connect to the VE.Bus BMS with two M8 circular connector cord sets.

The BTMs of several batteries can be daisy chained. Please see our LiFePO<sub>4</sub> battery documentation for details.

The BMS will:

- shut down or disconnect loads in case of imminent cell under voltage,
- reduce charge current in case of imminent cell overvoltage or over temperature (VE.Bus products, see below), and
- shut down or disconnect battery chargers in case of imminent cell overvoltage or over temperature.

### Protects 12V, 24V and 48V systems

Operating voltage range of the BMS: 9 to 70V DC.

### Communicates with all VE.Bus products

The VE.Bus BMS connects to a MultiPlus, Quattro or Phoenix inverter with a standard RJ45 UTP cable.

Products without VE.Bus can be controlled as shown below:

### Note: AC Detector for MultiPlus and Quattro (included in VE.Bus BMS delivery) not needed for MultiPlus-II models

#### Load Disconnect

The Load Disconnect output is normally high and becomes free floating in case of imminent cell under voltage. Maximum current: 2A.

The Load Disconnect output can be used to control

- the remote on/off of a load, and/or
- the remote on/off of an electronic load switch (BatteryProtect, preferred low power consumption solution).

#### Pre-alarm

The pre-alarm output is normally free floating and becomes high in case of imminent cell under voltage (default 3,1V/cell, adjustable on the battery between 2,85V and 3,15V per cell). Maximum current: 1A (not short circuit protected).

The minimum delay between pre-alarm and load disconnect is 30 seconds.

#### Charge Disconnect

The Charge Disconnect output is normally high and becomes free floating in case of imminent cell over voltage or over temperature. Maximum current: 10mA.

The Charge Disconnect output can be used to control

- the remote on/off of a charger and/or
- a Cyrix-Li-Charge relay and/or
- a Cyrix-Li-ct Battery Combiner.

#### LED indicators

- Enabled (blue): VE.Bus products are enabled.
- Cell>4V or temperature (red): charge disconnect output low because of imminent cell over voltage or over temperature.
- Cell>2,8V (blue): load disconnect output high.  
Load disconnect output low when off, due to imminent cell under voltage ( $V_{cell} \leq 2,8V$ ).

## 2. Safety instructions

Installation must strictly follow the national safety regulations in compliance with the enclosure, installation, creepage, clearance, casualty, markings and segregation requirements of the end-use application. Installation must be performed by qualified and trained installers only. Switch off the system and check for hazardous voltages before altering any connection.

- Do not open the Lithium Ion Battery.
- Do not discharge a new Lithium Ion Battery before it has been fully charged first.
- Charge only within the specified limits.
- Do not mount the Lithium Ion Battery upside down.
- Check if the Li-Ion battery has been damaged during transport.

## 3. Things to consider

### 3.1 Important warning

Li-ion batteries are expensive and can be damaged due to over discharge or over charge.

Damage due to over discharge can occur if small loads (such as: alarm systems, relays, standby current of certain loads, back current drain of battery chargers or charge regulators) slowly discharge the battery when the system is not in use.

In case of any doubt about possible residual current draw, isolate the battery by opening the battery switch, pulling the battery fuse(s) or disconnecting the battery plus when the system is not in use.

**A residual discharge current is especially dangerous if the system has been discharged completely and a low cell voltage shutdown has occurred. After shutdown due to low cell voltage, a capacity reserve of approximately 1Ah per 100Ah battery capacity is left in the battery. The battery will be damaged if the remaining capacity reserve is drawn from the battery. A residual current of 10mA for example may damage a 200Ah battery if the system is left in discharged state during more than 8 days.**

### 3.2 AC Detector Li-ion software assistant for MultiPlus and Quattro (not needed for MultiPlus-II models)

The AC Detector is a small add-on that can be built in a MultiPlus or Quattro when used together with a LiFePO<sub>4</sub> battery and a VE.Bus BMS. Every VE.Bus BMS is delivered with one AC Detector.

The purpose of the AC Detector is to restart the MultiPlus or Quattro when AC supply becomes available, in case it has been switched off by the BMS due to low cell voltage.

Without the AC Detector the MultiPlus or Quattro would remain off and therefore would not start recharging the battery after shut down due to low battery voltage.

**The AC detector needs the Li-ion software assistant or the Self-consumption ESS assistant to operate as intended.**

Inverters (DC to AC only) with VE.Bus can be connected directly to the MultiPlus/Quattro input of the BMS, no AC Detector or assistant needed.

### 3.3 DC loads with remote on/off terminals

DC loads must be switched off or disconnected in case of imminent cell under voltage.

The Load Disconnect output of the VE.Bus BMS can be used for this purpose.

The Load Disconnect is normally high (equal to battery voltage) and becomes free floating (= open circuit) in case of imminent cell under voltage (no internal pull down in order to limit residual current consumption in case of low cell voltage).

DC loads with a remote on-off terminal that switches the load on when the terminal is pulled high (to battery plus) and switches it off when the terminal is left free floating can be controlled directly with the Load Disconnect output.

See appendix for a list of Victron products with this behavior.

For DC loads with a remote on/off terminal that switches the load on when the terminal is pulled low (to battery minus) and switches it off when the terminal is left free floating, the **Inverting remote on-off cable** can be used. See appendix.

**Note: please check the residual current of the load when in off state. After low cell voltage shutdown a capacity reserve of approximately 1Ah per 100Ah battery capacity is left in the battery. A residual current of 10mA for example may damage a 200Ah battery if the system is left in discharged state during more than 8 days.**

### 3.4 DC load: disconnecting the load with a BatteryProtect

A Battery Protect will disconnect the load when:

- input voltage (= battery voltage) has decreased below a preset value, or when
  - the remote on/off terminal is pulled low. The VE.Bus BMS can be used to control the remote on/off terminal
- Contrary to a Cyrix or contactor, a BatteryProtect can start a load with a large input capacitor such as an inverter or a DC-DC converter.

### 3.5 Charging the LiFePO<sub>4</sub> battery with a battery charger

Battery charging must be reduced or stopped in case of imminent cell over voltage or over temperature.

The Charge Disconnect output of the VE.Bus BMS can be used for this purpose.

The Charge Disconnect is normally high (equal to battery voltage) and switches to open circuit state in case of imminent cell over voltage.

Battery chargers with a remote on-off terminal that activates the charger when the terminal is pulled high (to battery plus) and deactivates when the terminal is left free floating can be controlled directly with the Charge Disconnect output.

See appendix for a list of Victron products with this behavior.

Battery chargers with a remote terminal that activates the charger when the terminal is pulled low (to battery minus) and deactivates when the terminal is left free floating, the **Inverting remote on-off cable** can be used. See appendix.

Alternatively, a **Cyrix-Li-Charge** can be used:

The Cyrix-Li-Charge is a unidirectional combiner that inserts in between a battery charger and the LiFePO<sub>4</sub> battery. It will engage only when charge voltage from a battery charger is present on its charge-side terminal. A control terminal connects to the Charge Disconnect of the BMS.

### 3.6 Charging the LiFePO<sub>4</sub> battery with an alternator

See figure 6.

The **Cyrix-Li-ct** is recommended for this application.

The microprocessor controlled Cyrix-Li-ct includes a timer and voltage trend detection. This will prevent frequent switching due to a system voltage drop when connecting to a discharged battery.

## 4. Installation

### 4.1 AC Detector for MultiPlus and Quattro (included in VE.Bus BMS delivery). **Not needed for MultiPlus-II models.**

The purpose of the AC Detector is to restart the MultiPlus or Quattro when AC supply becomes available, in case it has been switched off by the BMS due to low cell voltage (so that it can recharge the battery).

Note 1: The AC Detector is not needed in case of an inverter.

Note 2: In systems consisting of several units configured for parallel, three phase or split phase operation, The AC Detector should be wired in the master or leader unit **only**.

Note 3: The VE.Bus BMS assistant or the Self-consumption ESS assistant must be loaded in **all** units.

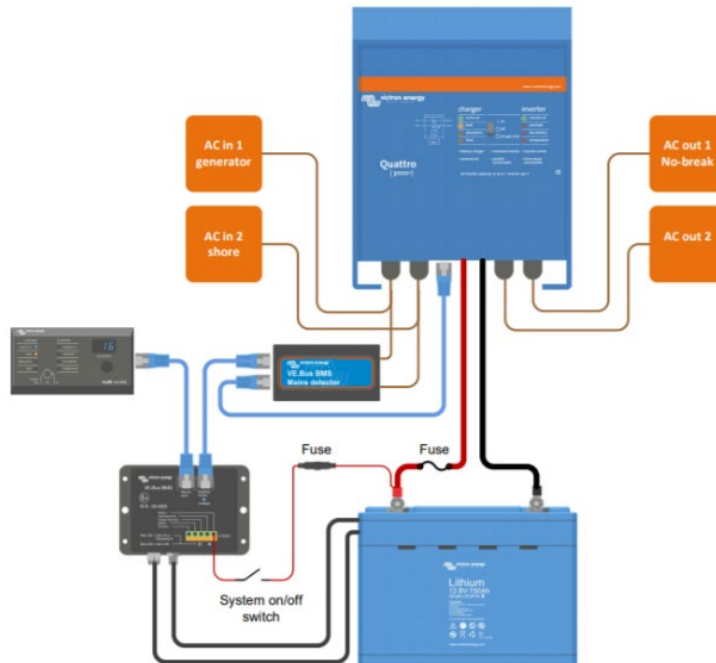


Figure 1: Block diagram with AC Detector in a Quattro

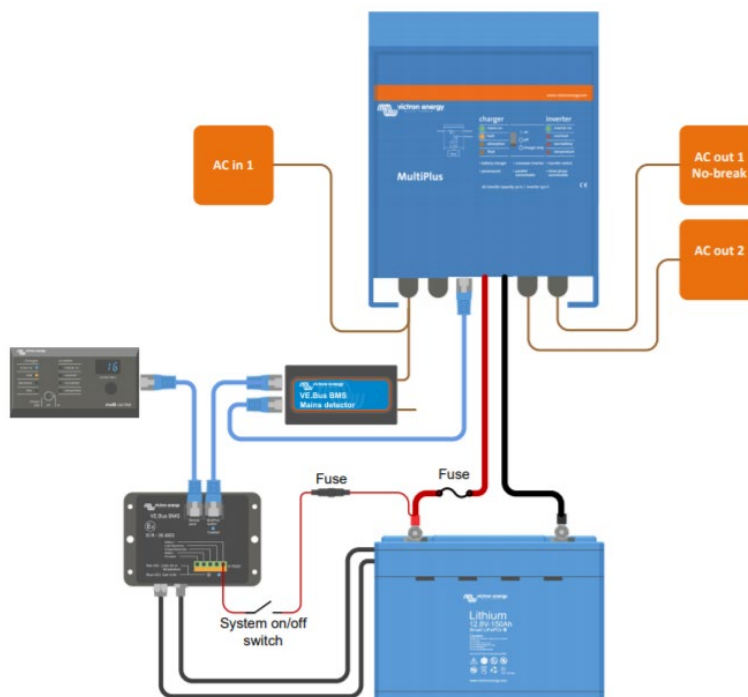


Figure 2: Block diagram with AC Detector in a MultiPlus

### Installation procedure (see figure 3)

1. Connect the brown and blue input wires to the neutral and phase of the AC-in-1 input.
2. Quattro: connect the brown and blue output wires to the neutral and phase of the AC-in-2 input.  
MultiPlus: no AC-in-2 input available. Please cut the AC2 wires close to the AC Detector

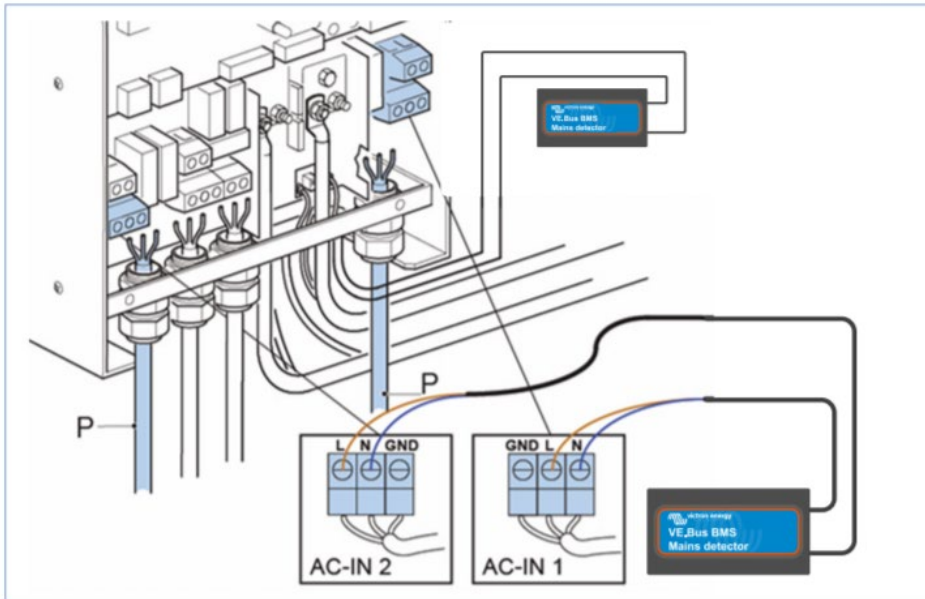


Figure 3: Connecting the AC Detector

3. Use the short RJ45 UTP cable to connect the AC Detector to one of the two the VE.Bus sockets in the MultiPlus or Quattro (see figure 4).
4. Connect the VE.Bus BMS to the AC Detector with a UTP cable (not included).
5. A Digital Multi Control panel must be connected to the VE.Bus BMS. **Do not connect a Digital Multi Control panel directly to a Multi or Quattro** (signals from the control panel may be in conflict with signals from the VE.Bus BMS).
6. The ColorControl panel must be connected directly the Multi or Quattro.

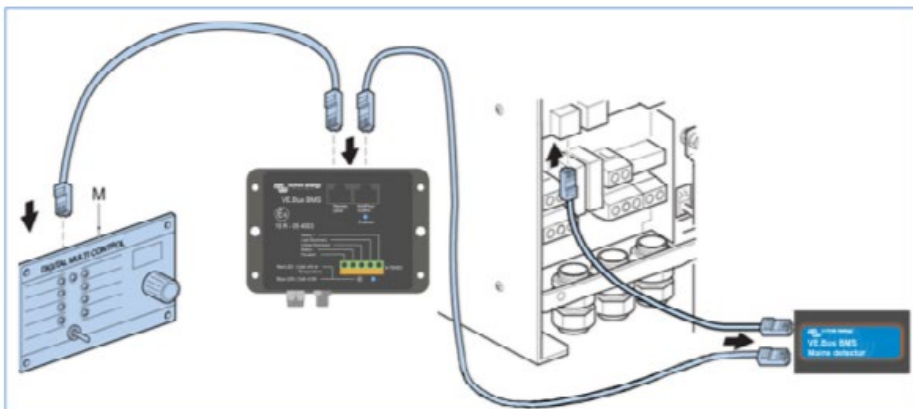


Figure 4: VE.Bus connections

### 4.2 Wire the system: see system examples below

**Do not connect to the battery plus at this stage** (alternatively: do not insert the battery fuse(s)).

Important:

1. The UTP cable to the inverter or inverter/charger also connects the battery minus to the BMS. In this case, in order to prevent ground loops, do not wire the battery minus connector of the BMS.
2. Wire the positive supply input of the VE.Bus BMS to the system positive. A system on-off switch in the positive supply wire will disable the system when opened.

### 4.3 Battery

In case of several batteries in parallel and or series configuration, the two M8 circular connector cord sets of each battery should be connected in series (daisy chained).  
Connect the two remaining cords to the BMS.

### 4.4. Powering up

In case of a DC only system: connect the battery plus. The system is now ready for use.

In case of a system with Multis, Quattros or inverters with VE.Bus:

4.4.1. After completion of the installation, disconnect the BMS from the VE.Bus and replace by a Victron Interface MK2 and a computer.

4.4.2. Connect the battery plus.

4.4.2. Configure inverter/charger(s) or inverter(s) for parallel or three phase configuration if applicable.

Inverter/chargers: the AC Detector should be installed only in the master or leader of a parallel or three phase system.

Inverters: AC detector not needed.

4.4.3. Load the VE.Bus BMS assistant or a ESS assistant in all units (must be done for each unit separately)

4.4.4. Remove the MK2 and reconnect to the BMS.

4.4.5. The system is now ready for use

## 5. System examples

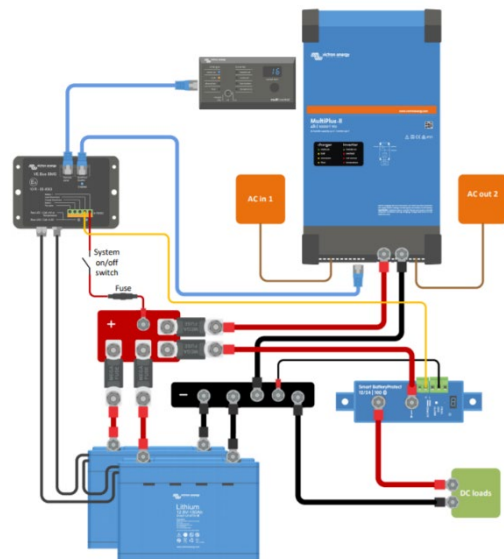


Figure 5: System with MultiPlus-II and DC loads

Note: the BMS is connected to the battery minus by the UTP cable between the BMS and the inverter/charger.  
Therefore, in order to prevent ground loops, do not wire the BMS minus connector.

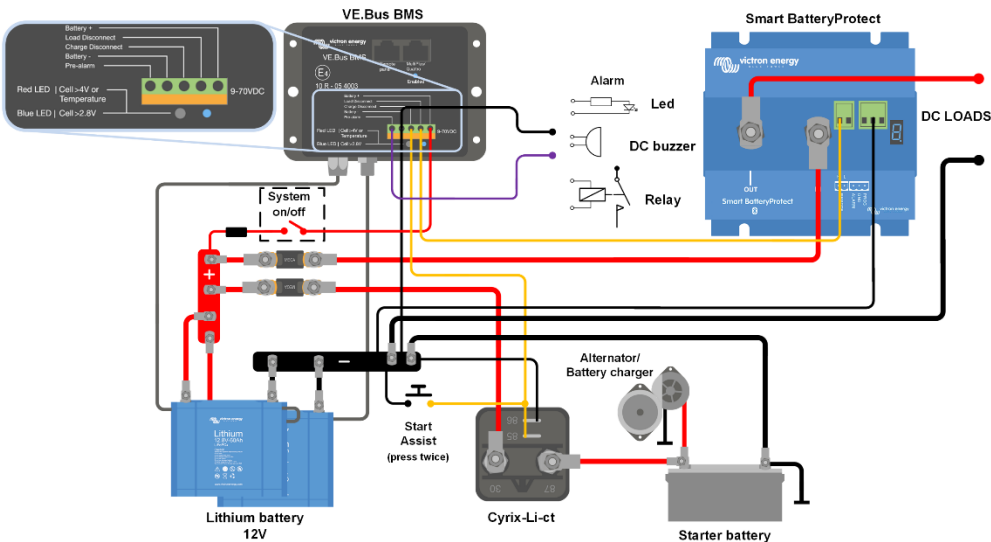


Figure 6: DC only system for a boat or vehicle with parallel connection of the starter- and Li-ion battery  
Note: in this case the battery minus of the BMS must be wired.

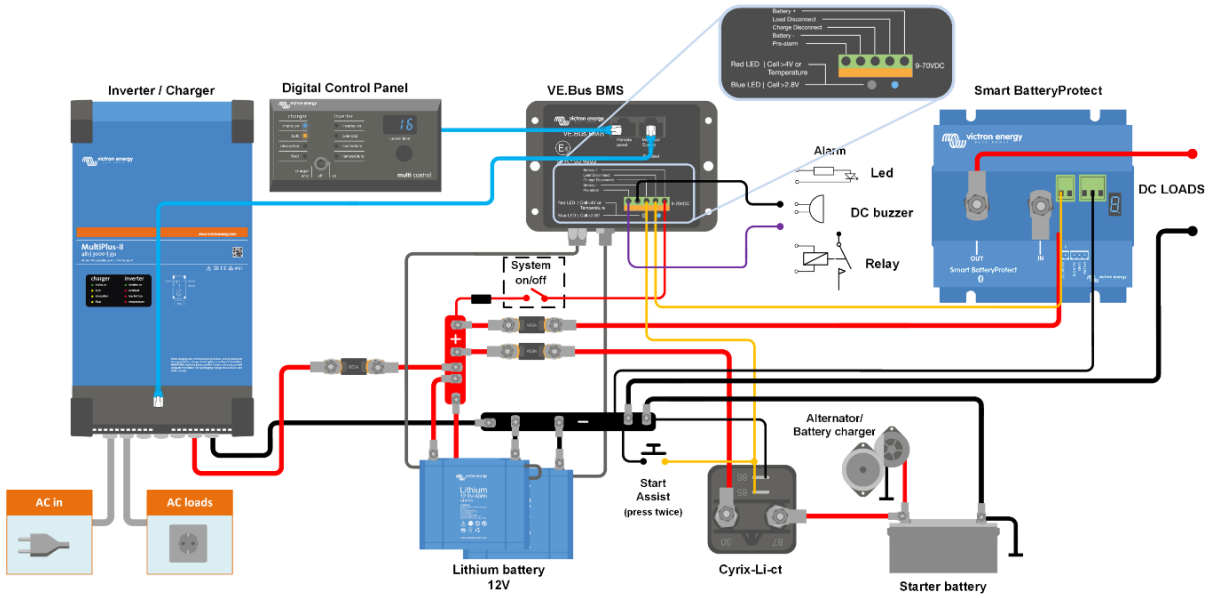


Figure 7: System for a boat or vehicle with a MultiPlus-II inverter/charger

Note: the BMS is connected to the battery minus by the UTP cable between the BMS and the inverter/charger. Therefore, in order to prevent ground loops, do not wire the BMS minus connector.

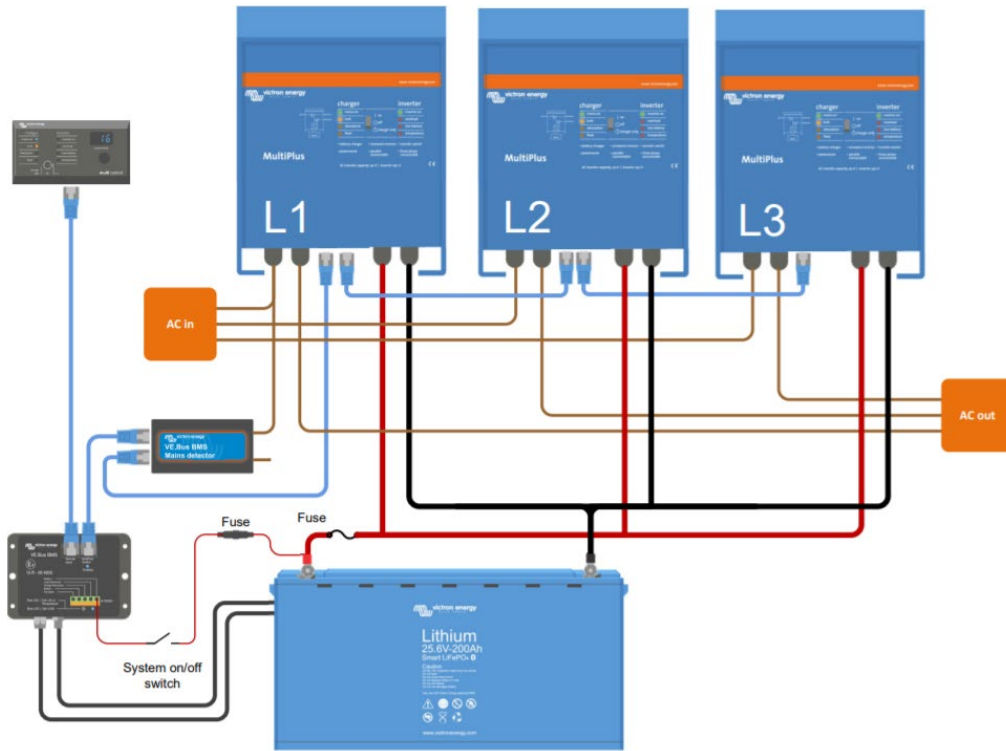


Figure 8: System example for a boat or vehicle with a three phase inverter/charger configuration (DC fuses not shown, except for the Li-ion battery fuse)

Note 1: the AC Detector is installed in the leader only.

Note 2: the BMS is connected to the battery minus by the UTP cable between the BMS and the inverter/charger.

Therefore, in order to prevent ground loops, do not wire the BMS minus connector.



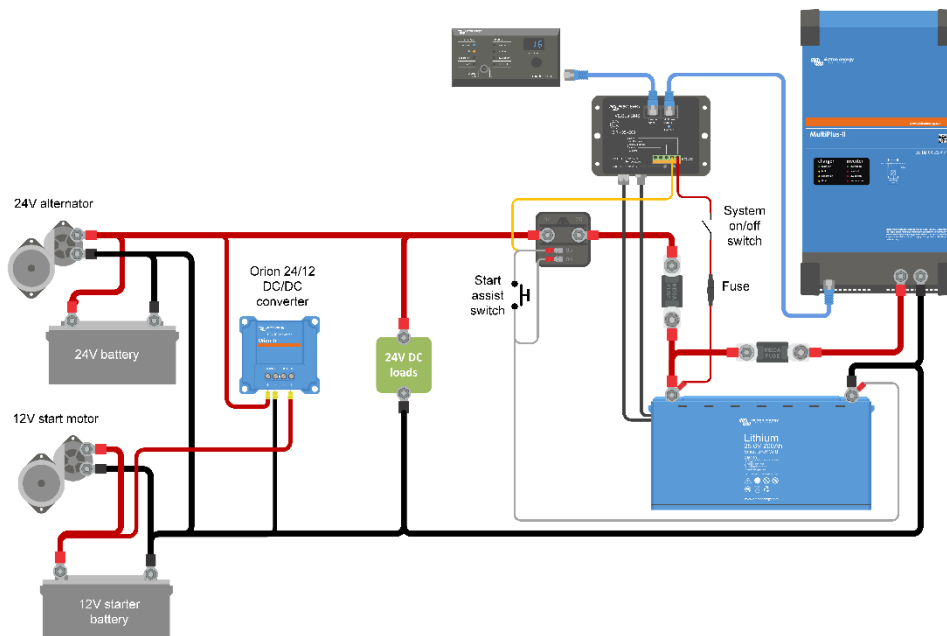


Figure 9: System example for a boat or vehicle with a 24V Li-ion system, a 24V alternator and a 12V starter battery. To charge the starter battery: use a DC-DC converter or a small battery charger connected to the Multi or Quattro. Alternators which need DC voltage on the B+ output to start charging can be started by pushing the Start Assist push button once the engine is running.  
 Note: the BMS is connected to the battery minus by the UTP cable between the BMS and the inverter/charger. Therefore, in order to prevent ground loops, do not wire the BMS minus connector.

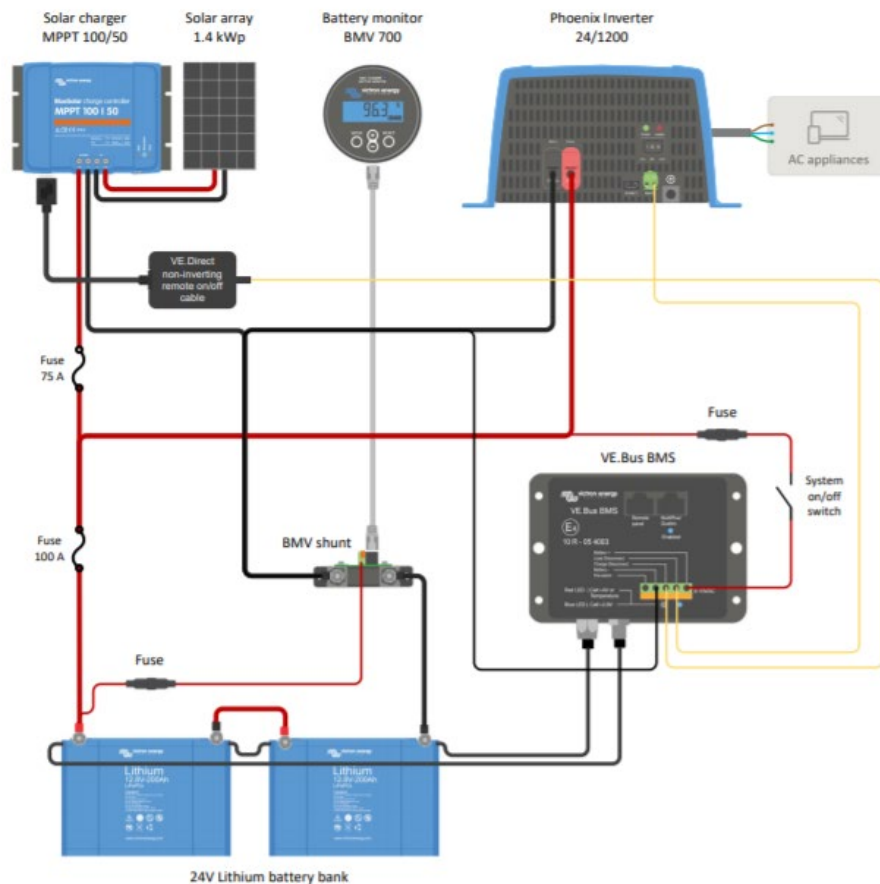


Figure 10: Solar application with an MPPT with VE.Direct port and a Phoenix Inverter 24/1200 VE.Direct.

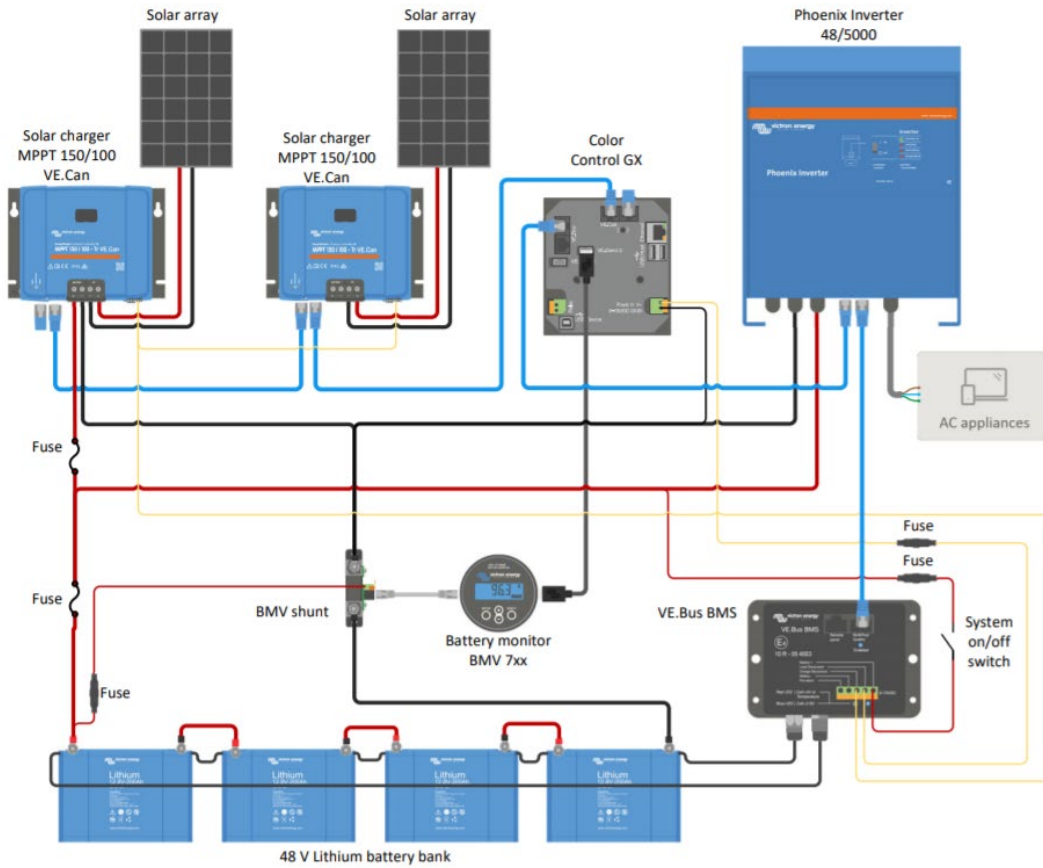
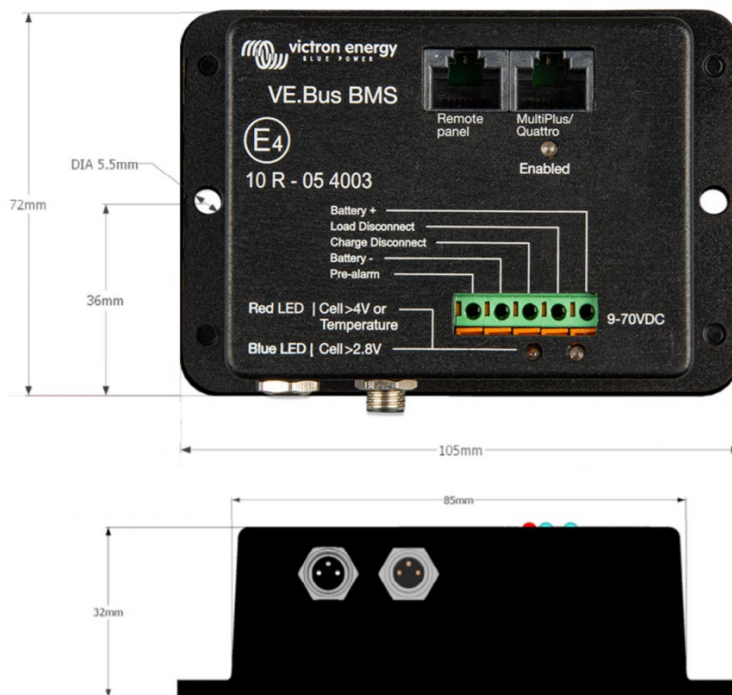


Figure 11: Solar application with two MPPT 150/100-Tr VE.Can  
 Note: the BMS is connected to the battery minus by the UTP cable between the BMS and the inverter/charger.  
 Therefore, in order to prevent ground loops, do not wire the BMS minus connector.

## 6. Dimensions



## 7. Frequently asked questions

### Q1: I have disconnected the VE.Bus BMS, and now my Multi or Quattro will not switch on, why?

A Multi or Quattro programmed with the VE.Bus BMS assistant, and unable to find a VE.Bus BMS on the bus, will go into an emergency mode. In this mode it will charge the batteries with 5 Ampère max, up to 12V, 24V or 48V, depending on system voltage. Note that in this mode, the only LED which is on is the Mains On LED. If you disconnect the AC input from the Multi/Quattro, it will switch off. It will not start to invert since it cannot get verification on the battery health from the VE.Bus BMS.

Note that, when the batteries are depleted or disconnected, Quattros need to be powered from AC input 1. Supplying power to AC Input 2 will not make a Quattro switch on and start charging.

### Q2: The batteries are empty and the Multi/Quattro will not start to charge, how to get the system up and running again.

When lithium batteries are depleted (the voltage is around 9V or even lower) the battery voltage might be below the operating window of the VE.Bus BMS. In that case the VE.Bus BMS will not be able to start the Multi/Quattro, even if an AC Detector is installed. To start the system again, disconnect the VE.Bus BMS from the Multi, and refer to Q1. Note that it might be necessary to disconnect any Blue Power Panels, NMEA2000 interfaces or other similar smart products. As long as they are not switched on themselves, they can prevent the Multi/Quattro from starting up.

A simpler option to revive a depleted system might be to connect a small battery charger, for example 5 Ampère, and wait for the battery voltage to get back up to 12 Volt.

### Q3: What happens with the Multi/Quattro when the BMS gives a low cell voltage signal?

The Multi/Quattro will be in charger only mode: when AC input is present, it will charge the batteries. And when the AC input is not present, it will switch off.

### Q4: What happens with the Multi/Quattro when the BMS gives a high cell voltage signal?

The high cell voltage signal will only be given when there are unbalanced cells. The Multi/Quattro will switch to bulk, and starts charging with a reduced charge current. This allows the balancing system to rebalance the cells.

## 8. Specifications

VE.Bus BMS	
Input voltage range	9 – 70VDC
Current draw, normal operation	10mA (excluding Load Disconnect current)
Current draw, low cell voltage	2mA
Load Disconnect output	Normally high (output voltage ≈ supply voltage – 1V) Floating when load needs to be disconnected Source current limit: 2A Sink current: 0A
Charge Disconnect output	Normally high, (output voltage ≈ supply voltage – 1V) Floating when charger should be disconnected Source current limit: 10mA Sink current: 0A
<b>GENERAL</b>	
VE.Bus communication port	Two RJ45 sockets to connect to all VE.Bus products
Operating temperature	-20 to +50°C    0 - 120°F
Humidity	Max. 95% (non-condensing)
Protection grade	IP20
<b>ENCLOSURE</b>	
Material and colour	ABS, matt black
Weight kg	0,1
Dimensions (h x w x d) in mm	105 x 78 x 32
<b>STANDARDS</b>	
Standards: Safety Emission Immunity Automotive Directive	EN 60950 EN 61000-6-3, EN 55014-1 EN 61000-6-2, EN 61000-6-1, EN 55014-2 EN 50498

Cyrix Li-ion ct (see Cyrix Li-ion datasheet for more information)	12/24-120	24/48-120
Continuous current	120A	
Connect voltage	From 13,7V to 13,9V and 27,4V to 27,8V with intelligent trend detection	
Disconnect voltage	From 13,2V to 13,4V and 26,4V to 26,8V with intelligent trend detection	
Start Assist	Yes (The Cyrix remains engaged during 15 seconds after the control input has been pulled twice to battery minus.)	
Cyrix Li-ion load	12/24-120	24/48-120

Please use a Battery Protect instead: much lower power consumption

Cyrix Li-ion Charge	12/24-120	24/48-120
Continuous current	120A	120A
Connect voltage	Engages when voltage on the charger side exceeds 13,7V to 13,9V and 27,4V to 27,8V with intelligent trend detection	Engages when voltage on the charger side exceeds 27,4V to 27,8V and 54,8V to 55,6V with intelligent trend detection
Disconnect voltage	From 13,2V to 13,4V and 26,4V to 26,8V with intelligent trend detection	From 26,4V to 26,8V and 52,8V to 53,6V with intelligent trend detection
Charge not active detection	The Cyrix disengages every hour and remains open in case of low voltage on the charger side	
General	12/24-120	24/48-120
Over voltage disconnect	16V / 32V	32V / 64V
Over temperature disconnect	Yes	
Current consumption when open	<4mA	
Current consumption when closed	<220mA / < 110mA	< 110mA / <60mA
Operating temperature range	-20 to +50°C	
Protection category	IP54	
Weight kg (lbs)	0,11 (0.24)	
Dimensions h x w x d in mm (h x w x d in inches)	46 x 46 x 80 (1.8 x 1.8 x 3.2)	

**EN****Appendix:**

**Loads which can be controlled directly  
by the Load Disconnect output of the BMS**

**Inverters:**

All Phoenix inverters VE.Direct 250/375/500/800/1200  
Phoenix 12/800      Phoenix 24/800  
Phoenix 12/1200    Phoenix 24/1200  
Phoenix 48/800     Phoenix 48/1200

**DC-DC converters:**

All Tr type DC-DC converters  
Orion 12/24-20  
Orion 24/12-25  
Orion 24/12-40  
Orion 24/12-70

**Loads for which a Inverting remote on-off cable  
is needed**

(article number ASS030550100)

**Inverters:**

Phoenix 12/180  
Phoenix 24/180  
Phoenix 12/350  
Phoenix 24/350

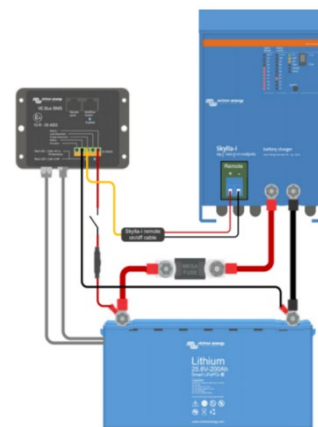
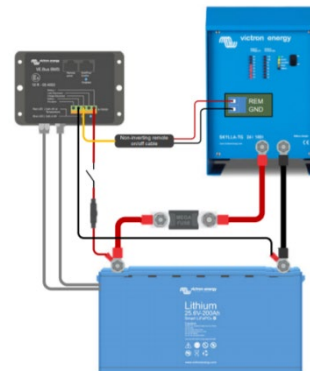
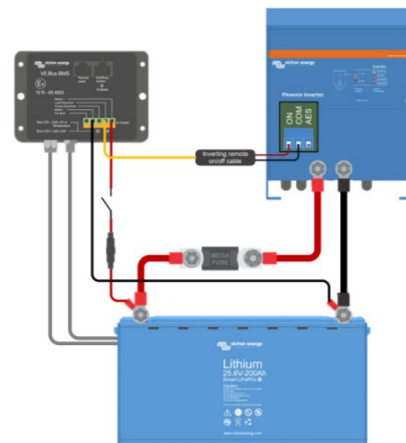
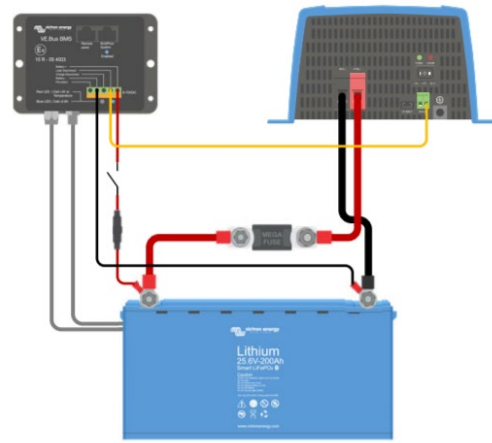
All Phoenix inverters rated at 3kVA and more

**For Skylla TG battery chargers a  
Non inverting remote on-off cable  
is needed**

(article number ASS030550200)

**For Skylla-i battery chargers a  
Skylla-i remote on-off cable  
is needed**

(article number ASS030550400)





## 1. Algemene beschrijving

### Beschermt elke afzonderlijke cel van een Victron lithium-ijzerfosfaat- (LiFePO<sub>4</sub>) accu

Elke afzonderlijke cel van een LiFePO<sub>4</sub>-accu moet worden beschermd tegen overspanning, onderspanning en overtemperatuur. Victron LiFePO<sub>4</sub>-accu's beschikken over een geïntegreerde celbalanceer-, temperatuur- en spanningsregeling (in het Engels Balancing, Temperature and Voltage control, kort BTV, genoemd). Deze wordt met twee ronde M8-aansluitkabelssets op het VE.Bus BMS aangesloten.

De BTV van meerdere accu's kan in een ringnetwerk met elkaar worden verbonden. Zie voor meer informatie de documentatie van onze LiFePO<sub>4</sub>-accu.

Taken van het BMS:

- het uitschakelen of ontkoppelen van belastingen in geval van dreigende onderspanning van de cellen,
- het verlagen van de laadstroom in geval van dreigende overspanning of overtemperatuur van de cellen (zie voor VE.Bus-producten de onderstaande informatie), en
- het uitschakelen of ontkoppelen van de acculaders in geval van dreigende overspanning of overtemperatuur van de cellen.

### Beschermt 12V-, 24V- en 48V-systemen

Bedrijfsspanningsbereik van het BMS: 9 tot 70V DC.

### Communiqueert met alle VE.Bus-producten

Het VE.Bus BMS kan met een standaard RJ45 UTP-kabel worden aangesloten op een MultiPlus-, Quattro- of Phoenix-omvormer.

Producten zonder VE.Bus kunnen zoals onderstaand weergegeven worden geregeld:

### Opmerking: AC Detector voor MultiPlus en Quattro (inbegrepen bij VE.Bus BMS levering) niet nodig voor de MultiPlus-II modellen

#### Load Disconnect (belasting onderbreken)

De uitgang Load Disconnect staat normaal gesproken op HIGH (hoog) en wordt 'free floating' (vrij zwevend) in geval van dreigende onderspanning van de cellen. Maximale stroom: 2A.

De uitgang Load Disconnect kan worden gebruikt om de volgende functies te regelen:

- het op afstand in- of uitschakelen van een belasting en/of
- het op afstand in- of uitschakelen van een elektronische belastingschakelaar (BatteryProtect, voorkeur oplossing voor een laag stroomverbruik).

#### Pre-alarm

De pre-alarm uitgangsspanning is normaal vlottend en wordt hoog bij imminente celonderspanning (standaard 3,1 V/cel, aanpasbaar op de accu tussen 2,85 V en 3,15 V per cel). Maximale stroom: 1 A (niet beveiligd tegen kortsluiting).

De minimale vertraging tussen pre-alarm en laadontkoppeling bedraagt 30 seconden.

#### Charge Disconnect (laden onderbreken)

De uitgang Charge Disconnect staat normaal gesproken op HIGH en wordt 'free floating' in geval van dreigende overspanning of overtemperatuur van de cellen. Maximale stroom: 10mA.

De uitgang Charge Disconnect kan worden gebruikt om de volgende functies te regelen:

- het op afstand in- of uitschakelen van een acculader en/of
- een Cyrix-Li-Charge-relais en/of
- een Cyrix-Li-ct Battery Combiner.

#### LED-lampjes

- Brandt (blauw): VE.Bus-producten zijn ingeschakeld.
- Cel>4V of temperatuur (rood): de uitgang Charge Disconnect staat op LOW (laag) door dreigende overspanning of overtemperatuur van de cellen.
- Cel>2,8V (blauw): de uitgang Load Disconnect staat op HIGH (hoog).  
De uitgang Load Disconnect staat op LOW als deze door dreigende onderspanning van de cellen (Vcel≤2,8V) is uitgeschakeld.

## 2. Veiligheidsaanwijzingen

De installatie moet precies worden uitgevoerd volgens de nationale veiligheidsvoorschriften en in overeenstemming met de voor eindgebruik gestelde eisen betreffende behuizing, installatie, lekstroom, speling, verliezen, markeringen en segregatie. De installatie mag enkel worden uitgevoerd door gekwalificeerde en geschoolde installatiemonteurs. Schakel het systeem uit en controleer het op gevaarlijke spanningen voordat u wijzigingen aan de aansluitingen aanbrengt.

- Open de lithium-ionaccu niet.
- Ontlaad een nieuwe lithium-ionaccu niet voordat deze eerst volledig is opgeladen.
- Laad de accu enkel op binnen de aangegeven grenswaarden.
- Monteer de lithium-ionaccu niet ondersteboven.
- Controleer of de lithium-ionaccu tijdens het transport beschadigd is geraakt.

## 3. Neem het volgende in acht

### 3.1 Belangrijke aanwijzing

Lithium-ionaccu's zijn duur en kunnen beschadigd raken door te diepe ontlading of overlading.

Beschadiging als gevolg van te diepe ontlading kan optreden als lage belastingen (zoals: alarmsystemen, relais, stand-by-stroom van bepaalde belastingen, retourstroomverbruik van acculaders of ladingsregelaars) langzaam de accu ontladen als het systeem niet in gebruik is.

Koppel in geval van twijfel over een mogelijke reststroomstoot de accu los door de accuschakelaar te openen, de accuzekering(en) te verwijderen of de pluspool van de accu los te koppelen als het systeem niet in gebruik is.

**Een restontladingsstroom is vooral gevaarlijk als het systeem volledig is ontladen en door te lage celspanning is uitgeschakeld. Na een uitschakeling door een te lage celspanning resteert een reservecapaciteit van ongeveer 1Ah per 100Ah accu-capaciteit in de accu. De accu zal beschadigd raken als de resterende reservecapaciteit aan de accu wordt onttrokken. Een reststroom van 10mA kan bijvoorbeeld een 200Ah-accu beschadigen als het systeem gedurende meer dan 8 dagen in ontladen toestand blijft.**

### 3.2 De lithium-ion-software-assistent 'AC Detector' voor MultiPlus en Quattro (niet nodig voor de MultiPlus-II modellen)

De AC Detector (wisselstroomdetector) is een kleine uitbreiding die kan worden ingebouwd in een MultiPlus of Quattro als deze samen met een LiFePO<sub>4</sub>-accu en een VE.Bus BMS worden gebruikt. De VE.Bus BMS wordt standaard geleverd met AC Detector.

De taak van de AC Detector is om de MultiPlus of Quattro opnieuw te starten als weer wisselstroom beschikbaar is nadat het apparaat door het BMS als gevolg van een te lage celspanning is uitgeschakeld.

Zonder de AC Detector zouden de MultiPlus of Quattro uitgeschakeld blijven en daardoor zou de accu na uitschakeling door een te lage accuspanning niet weer beginnen met opladen.

**De AC Detector is hiervoor afhankelijk van de lithium-ion-software-assistent of de Eigen verbruik ESS assistent.**

Omvormers (alleen DC naar AC) met VE.Bus kunnen direct worden aangesloten op de MultiPlus/Quattro-ingang van het BMS. Hiervoor is geen AC Detector of assistent nodig.

### 3.3 DC-belastingen met aansluitingen voor in- of uitschakelen op afstand

DC-belastingen moeten worden uitgeschakeld of ontkoppeld in geval van dreigende onderspanning van de cellen.

Voor dit doel kan de uitgang Load Disconnect van het VE.Bus BMS worden gebruikt.

De uitgang Load Disconnect staat normaal gesproken op HIGH (net als de accuspanning) en wordt 'free floating' (= open circuit) in geval van dreigende onderspanning van de cellen (geen interne 'pull down' om het resterend stroomverbruik in geval van een lage celspanning te beperken).

DC-belastingen met een aansluiting voor in- of uitschakelen op afstand die de belasting inschakelen als de aansluiting op HIGH wordt gezet (op de plus van de accu) en deze uitschakelen als de aansluiting op 'free floating' wordt gezet, kunnen direct met de uitgang Load Disconnect worden geregeld.

In de bijlage vindt u een lijst met Victron-producten die over deze eigenschap beschikken.

Voor DC-belastingen met een aansluiting voor in- of uitschakelen op afstand die de belasting inschakelen als de aansluiting op LOW wordt gezet (naar de min van de accu) en deze uitschakelen als de aansluiting op 'free floating' wordt gezet, kan de **omvormkabel voor het op afstand in- of uitschakelen** worden gebruikt. Zie bijlage.

**Opmerking: controleer de reststroom van de belasting als deze is uitgeschakeld. Na een uitschakeling door een te lage celspanning resteert een reservecapaciteit van ongeveer 1Ah per 100Ah accu-capaciteit in de accu. Een reststroom van 10mA kan bijvoorbeeld een 200Ah-accu beschadigen als het systeem gedurende meer dan 8 dagen in ontladen toestand blijft.**

### 3.4 DC-belasting: ontkoppeling van de belasting met een BatteryProtect (alleen beschikbaar voor 12V en 24V)

Een Battery Protect ontkoppelt de belasting in de volgende gevallen:

- als de ingangsspanning (= accuspanning) onder de vooringestelde waarde is gedaald, of
- als de aansluiting voor het op afstand in- of uitschakelen op LOW is gezet. Het VE.Bus BMS kan worden gebruikt om de aansluiting voor het op afstand in- of uitschakelen te regelen:

**(Dan is een niet-omvormende kabel voor het op afstand in- of uitschakelen nodig).**

In tegenstelling tot een Cyrix-relais of een schakelaar kan een BatteryProtect een belasting met een grote ingangscapaciteit starten, zoals een omvormer of een DC-DC-omvormer.

### 3.5 Opladen van LiFePO<sub>4</sub>-accu's met een acculader

Het opladen van de accu moet worden verminderd of gestopt in geval van dreigende overspanning of overtemperatuur van de cellen.

Voor dit doel kan de uitgang Charge Disconnect van het VE.Bus BMS worden gebruikt.

De uitgang Charge Disconnect staat normaal gesproken op HIGH (net als de accuspanning) en schakelt in geval van dreigende overspanning van de cellen over op de toestand 'open-circuit'.

Acculaders met een aansluiting voor het op afstand in- of uitschakelen die de acculader activeren als de aansluiting op HIGH wordt gezet (op de plus van de accu) en deze deactiveren als de aansluiting op 'free floating' wordt gezet, kunnen direct met de uitgang Charge Disconnect worden geregeld.

In de bijlage vindt u een lijst met Victron-producten die over deze eigenschap beschikken.

Voor acculaders met een aansluiting voor het op afstand in- of uitschakelen die de acculader inschakelt als de aansluiting op LOW wordt gezet (op de min van de accu) en deze uitschakelt als de aansluiting op 'free floating' wordt gezet, kan de **omvormende kabel voor het op afstand in- of uitschakelen** worden gebruikt. Zie bijlage.



Als alternatief kan een **Cyrix-Li-Charge** worden gebruikt:

De Cyrix-Li-Charge is een éénrichtingskoppelaar die tussen een acculader en de LiFePO<sub>4</sub>-accu wordt geschakeld. Deze wordt alleen actief als de laadspanning van de acculader beschikbaar is op de aansluiting aan de oplaadzijde. Een regelklem wordt met de aansluiting Charge Disconnect van het BMS verbonden.

### **3.6 Opladen van LiFePO<sub>4</sub>-accu's met een wisselstroomgenerator**

Zie afbeelding 6.

Voor deze toepassing wordt de **Cyrix-Li-ct** aanbevolen.

De door een microprocessor bestuurd Cyrix-Li-ct beschikt over een timer- en spanningstrenddetectie. Dit voorkomt herhaaldelijk omschakelen door een systeemspanningsdaling bij aansluiting van een ontladen accu.

EN

NL

FR

DE

SE

## 4. Installatie

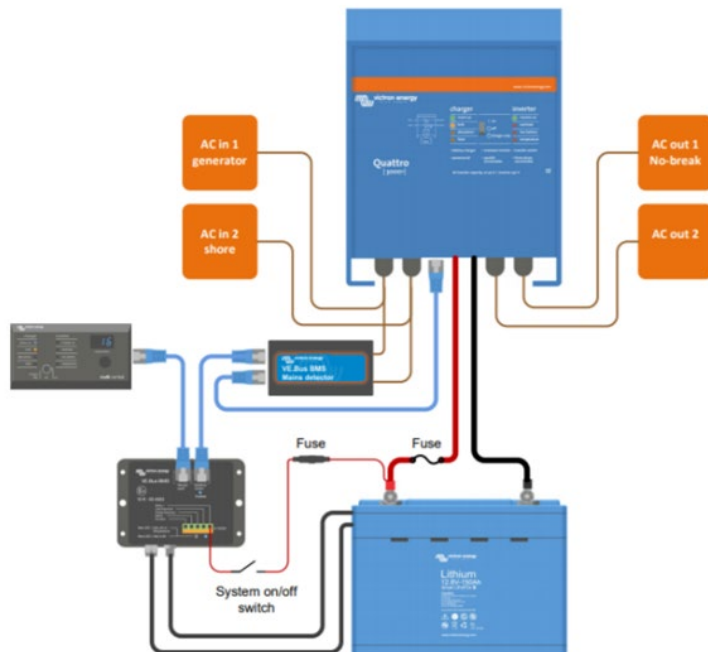
### 4.1 AC Detector voor MultiPlus en Quattro (inbegrepen in de levering van een VE.Bus BMS). Niet nodig voor de MultiPlus-II modellen.

De taak van de AC Detector is het om de MultiPlus of Quattro opnieuw te starten als wisselstroom beschikbaar is in geval deze is uitgeschakeld door het BMS als gevolg van een te lage celspanning (zodat de accu weer kan worden opgeladen).

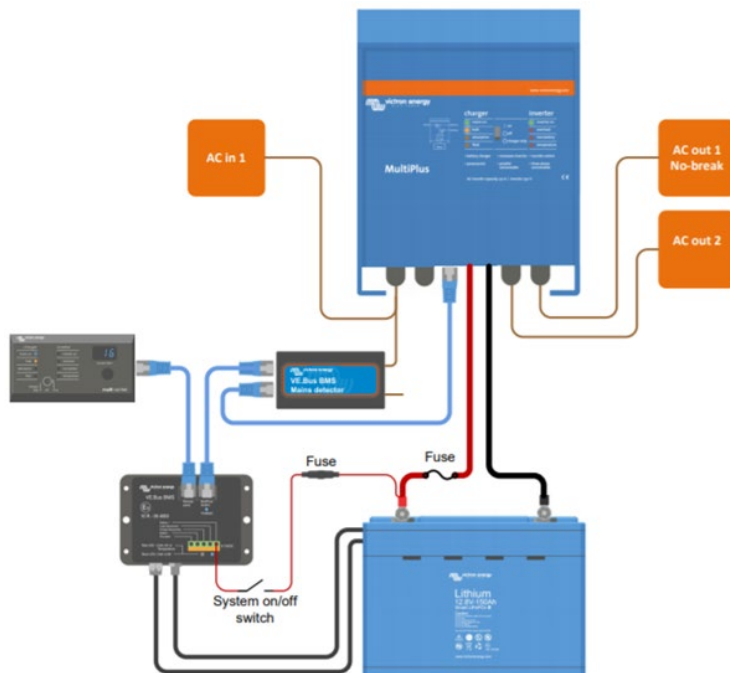
Opmerking 1: De AC Detector is in geval van een omvormer niet nodig.

Opmerking 2: In systemen die bestaan uit meerdere apparaten, die geconfigureerd zijn voor parallele, driefasen- of gesplitste fase-werking, dient de AC Detector **enkel** met het master- of leidende apparaat te zijn verbonden.

Opmerking 3: De VE.Bus BMS assistent of de Eigen verbruik ESS assistent moet op **alle** apparaten worden geladen.



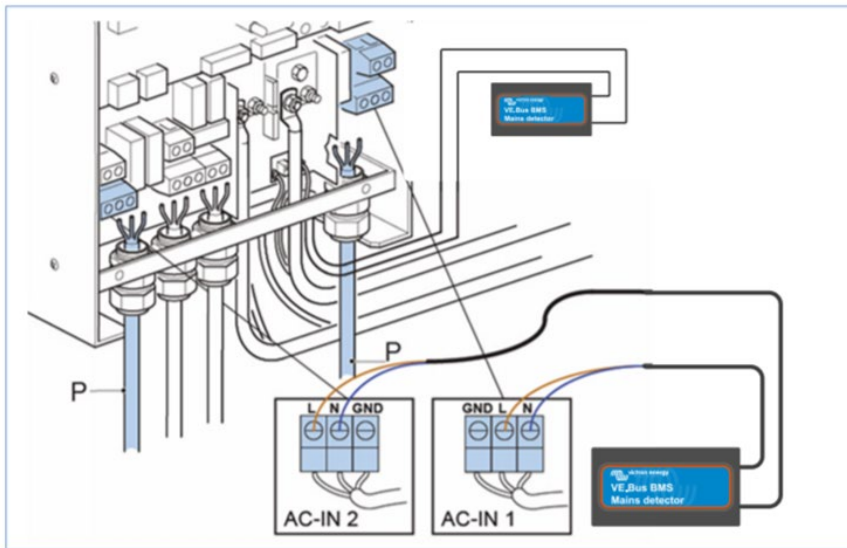
Afbeelding 1: Blokschema met AC Detector in een Quattro



Afbeelding 2: Blokschema met AC Detector in een MultiPlus

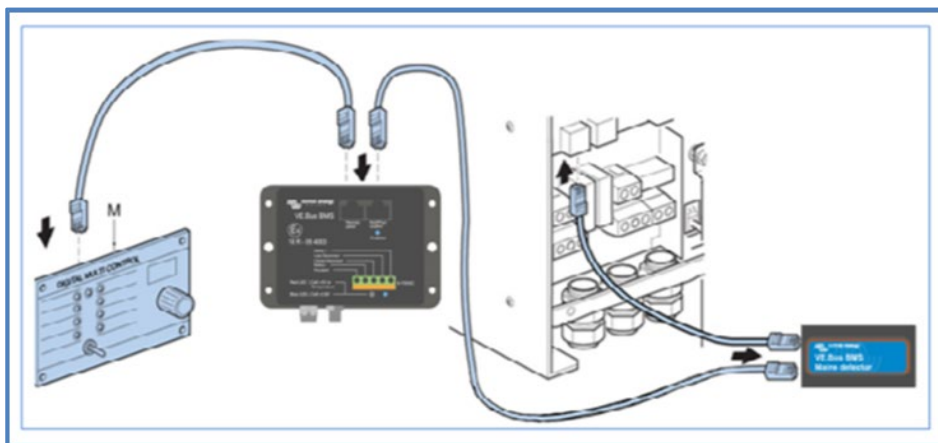
### Installatieprocedure (zie afbeelding 3)

1. Verbind de bruine en blauwe ingangsdraden met de nulleider en de fase van de AC-in-1 ingang.
2. Quattro: Verbind de bruine en blauwe uitgangsdraden met de nulleider en de fase van de AC-in-1 ingang.  
MultiPlus: geen AC-in-2-ingang beschikbaar. Knip de AC2-draden dicht bij de AC Detector af.



Afbeelding 3: Aansluiting van de AC Detector

3. Gebruik de korte RJ45 UTP-kabel om de AC Detector met één van de twee VE.Bus-bussen in de Multiplus of Quattro te verbinden (zie afbeelding 4).
4. Verbind het VE.Bus BMS met de AC Detector via een UTP-kabel (niet meegeleverd).
5. Een Digital Multi Control paneel moet met het VE.Bus BMS worden verbonden. **Verbind een Digital Multi Control, paneel niet direct met een Multi of Quattro** (tussen de signalen van het controlepaneel en de signalen van het VE.Bus BMS kan een conflict ontstaan).
6. Het Color Control paneel moet direct worden verbonden met de Multi of Quattro.



Afbeelding 4: VE.Bus-aansluitingen

### 4.2 Bedrading van het systeem: zie onderstaande systeemvoorbeelden

**Nu nog niet met de plus van de accu verbinden** (of nog niet de zekering(en) van de accu plaatsen).

Belangrijke aanwijzing:

1. De UTP-kabel naar de omvormer of omvormer/lader verbindt ook de minpool van de accu met het BMS. Bedraad in dat geval om aardingsfoutlussen te voorkomen niet de stekker voor de minpolaansluiting van de accu van het BMS.
2. Verbind de pluspool van de voedingsingang met het VE.Bus BMS met de pluspool van het systeem. Een aan/uitschakelaar van het systeem in de plus-voedingsdraad schakelt het systeem uit als deze wordt geopend.

### 4.3. Accu

In geval van meerdere parallel of in serie geschakelde accu's, dienen de twee ronde M8-aansluitstekkersets van elke accu in serie (in een ringnetwerk) te worden aangesloten.  
Verbind de twee overige stekkersets met het BMS.

### 4.4. Inschakelen

In geval van een systeem dat enkel voor gelijkstroom geschikt is: verbind de pluspool van de accu. Het systeem is nu klaar voor gebruik.

In geval van een systeem met Multi's, Quattro's of omvormers met VE.Bus:

4.4.1. Koppel na voltooiing van de installatie het BMS los van de VE.Bus en vervang deze door een Victron Interface MK2 en een computer.

4.4.2. Verbind de pluspool van de accu.

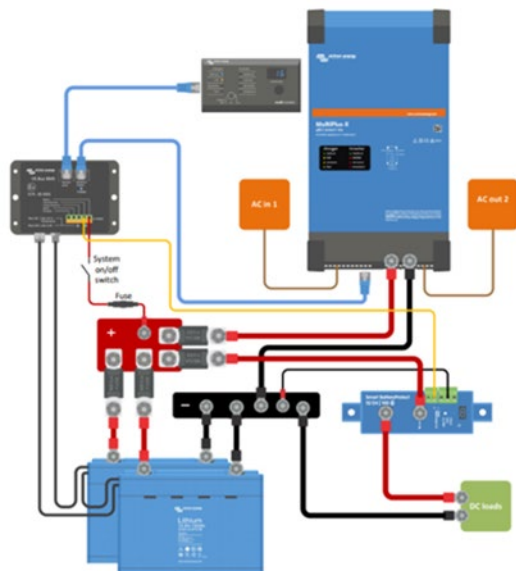
4.4.2. Configureer, indien van toepassing, de omvormer(s)/lader(s) of omvormer(s) voor een parallelle of driefase-configuratie.  
Omvormers/laders: de AC Detector dient enkel in het master- of leidende apparaat van een parallel of driefasesysteem te worden geïnstalleerd. Omvormers: er is geen AC Detector nodig.

4.4.3. Laad de BMS VE.Bus-assistent of een ESS-assistent op alle apparaten (moet voor elk apparaat afzonderlijk worden uitgevoerd).

4.4.4. Verwijder de MK2 en sluit het BMS weer aan.

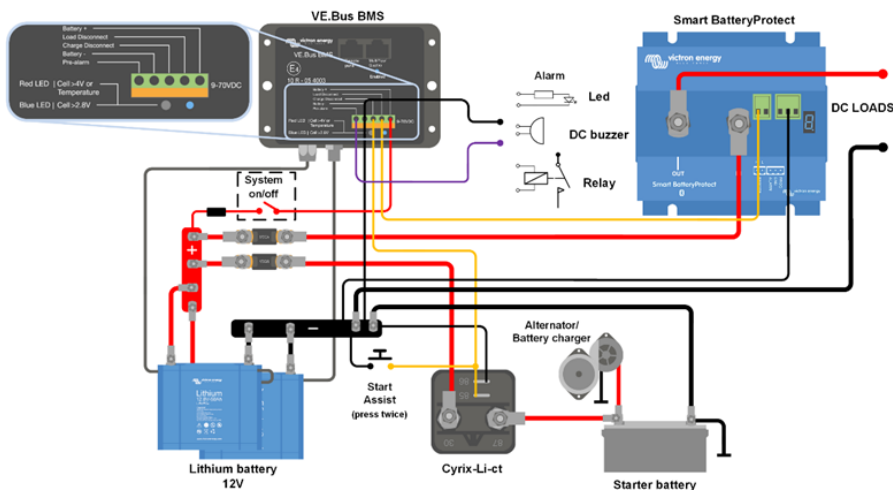
4.4.5. Het systeem is nu klaar voor gebruik.

## 5. Systemvoorbeelden

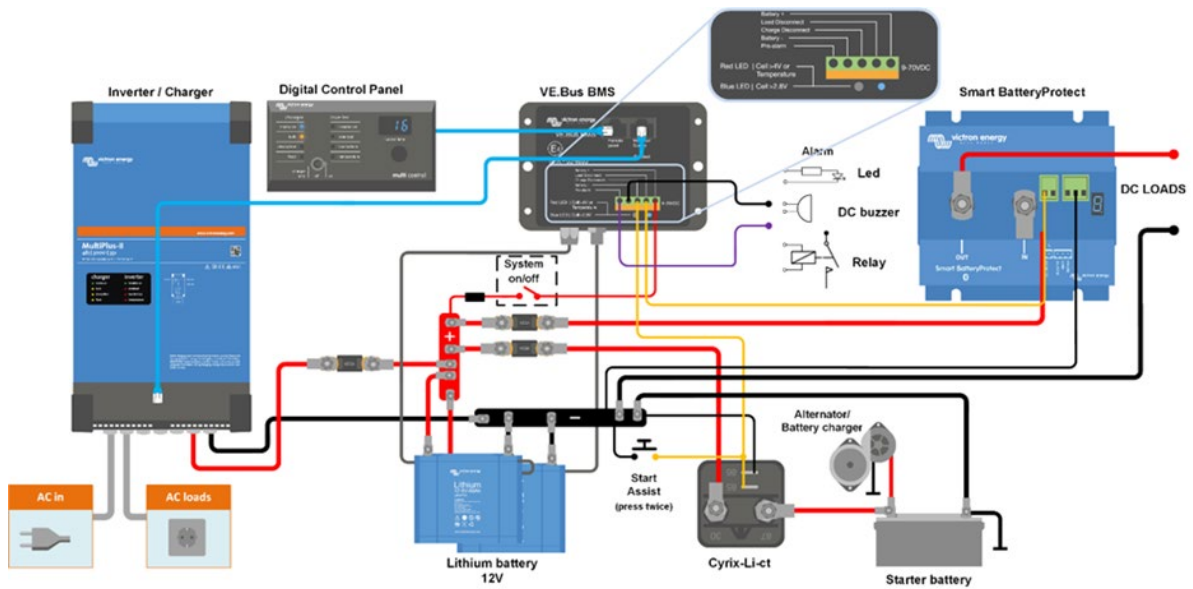


Afbeelding 5: Systeem met MultiPlus-II en DC-vermogen

Opmerking: het BMS wordt verbonden met de minpool van de accu via de UTP-kabel tussen het BMS en de omvormer/lader.  
Om aardingsfoutlussen te voorkomen, mag daarom de min-stekker van het BMS niet worden aangesloten.

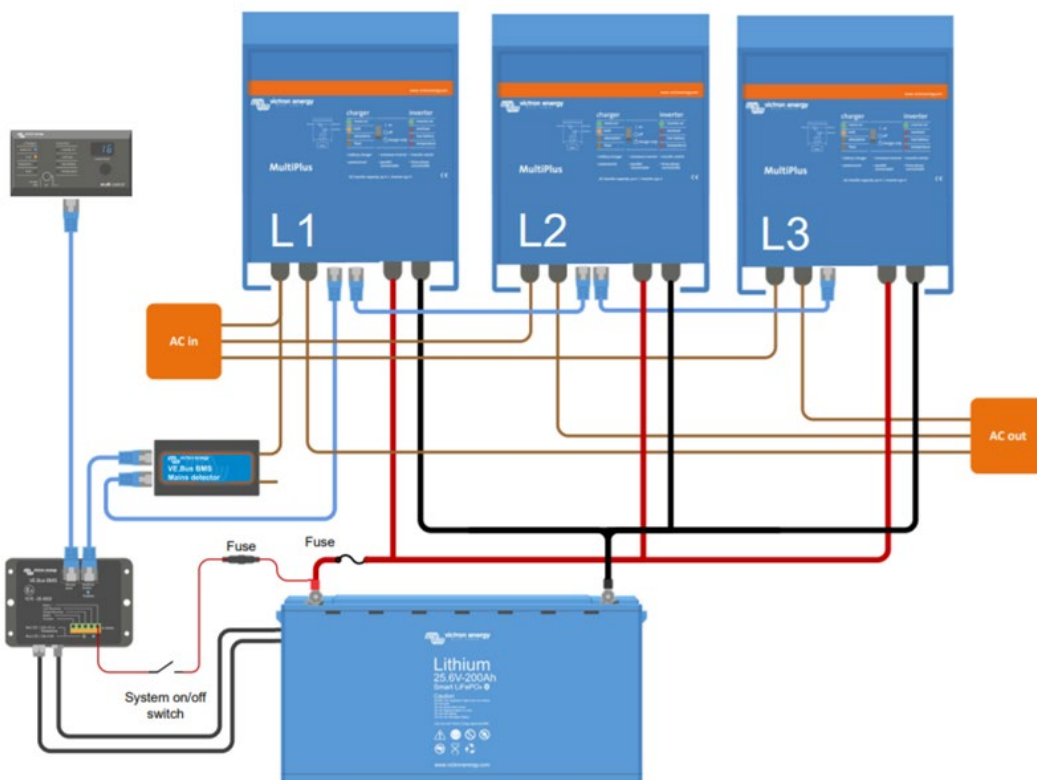


Afbeelding 6: DC-systeem voor een boot of voertuig met parallelle aansluiting van de start- en lithium-ion-accu  
Opmerking: in dat geval moet de minpool van de accu van het BMS worden aangesloten.



Afbeelding 7: Systeem voor een boot of voertuig met een MultiPlus-II inverter/oplader

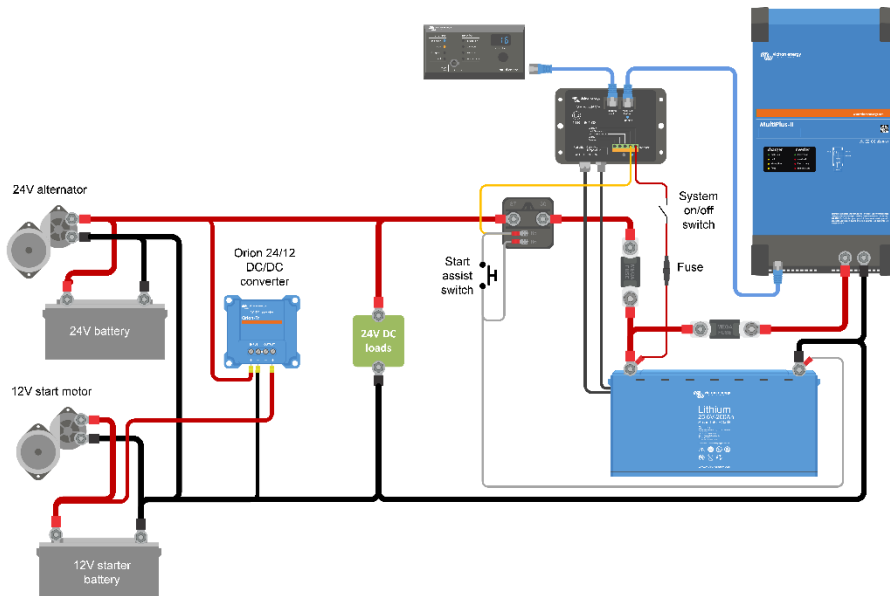
Opmerking: het BMS wordt verbonden met de minpool van de accu via de UTP-kabel tussen het BMS en de omvormer/lader. Om aardingsfoutlussen te voorkomen, mag daarom de min-stekker van het BMS niet worden aangesloten.



Afbeelding 8: Systeemvoorbeeld voor een boot of voertuig met een driefase-omvormer-/laderconfiguratie (DC-zekeringen niet weergegeven, alleen de lithium-ion-accuzekering)

Opmerking 1: de AC Detector wordt alleen in het leidende apparaat geïnstalleerd.

Opmerking 2: het BMS wordt verbonden met de minpool van de accu via de UTP-kabel tussen het BMS en de omvormer/lader. Om aardingsfoutlussen te voorkomen, mag daarom de min-stekker van het BMS niet worden aangesloten.

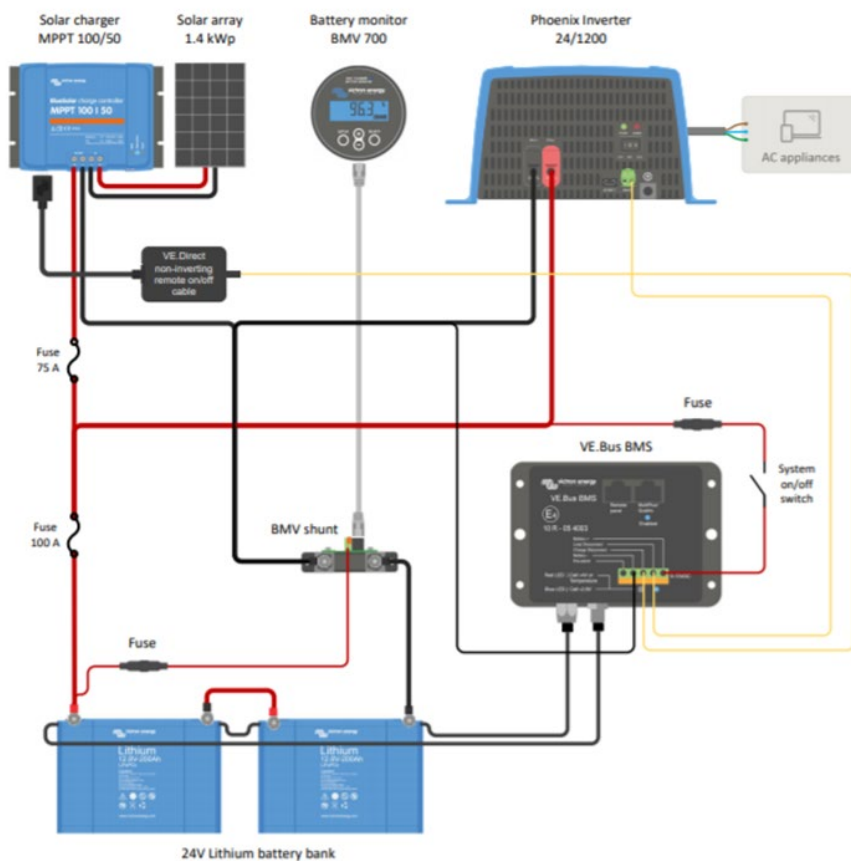


Afbeelding 9: Systemvoorbeeld voor een boot of voertuig met een 24V-lithium-ionsysteem, een 24V-wisselstroomgenerator en een 12V-startaccu.

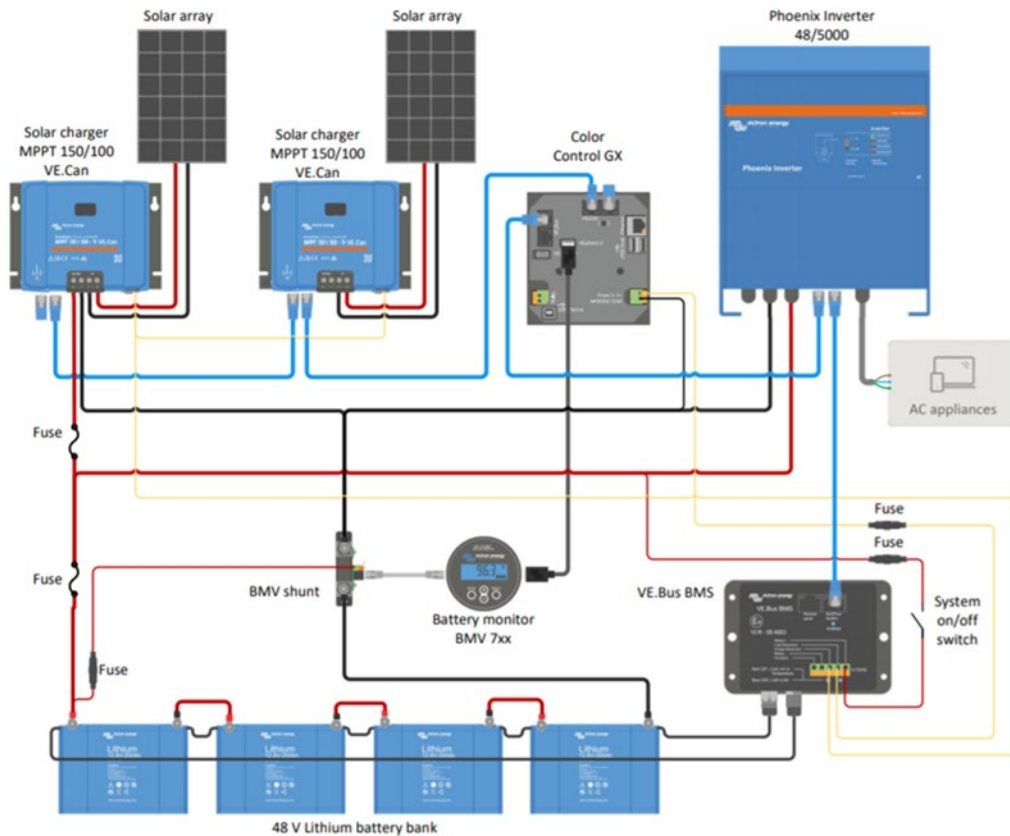
Om de startaccu op te laden: gebruik een DC-DC-omvormer of een kleine acculader die met een Multi of Quattro is verbonden.

Dynamo's die DC-spanning bij uitgang B+ nodig hebben om het opladen te kunnen starten, kunnen worden gestart door op de knop Start Assist te drukken, zodra de motor draait.

Opmerking: het BMS wordt verbonden met de minpool van de accu via de UTP-kabel tussen het BMS en de omvormer/lader. Bedraad daarom om aardingsfoutlussen te voorkomen niet de stekker voor de minpolaansluiting van de accu van het BMS



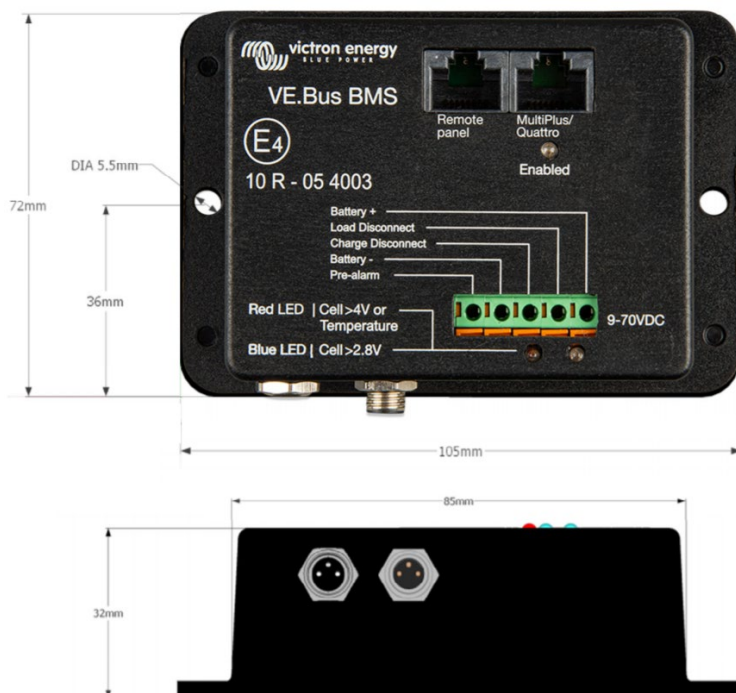
Afbeelding 10: Zonnetoepassing met een MPPT met VE.Direct-poort en een Phoenix Inverter 24/1200 VE.Direct.



Afbeelding 11: Zonnetoepassing met twee MPPT 150/100-Tr VE.Can

Opmerking: het BMS wordt verbonden met de minpool van de accu via de UTP-kabel tussen het BMS en de omvormer/lader. Bedraad daarom om aardingsfoutlussen te voorkomen niet de stekker voor de minpoolaansluiting van de accu van het BMS

## 6. Afmetingen



## 7. Vaak gestelde vragen

### Vraag 1: Ik heb het VE.Bus BMS losgekoppeld en nu schakelt mijn Multi of Quattro niet in, hoe komt dat?

Een Multi of Quattro die is geprogrammeerd met de VE.Bus BMS assistent en het VE.Bus BMS niet op de bus kan vinden, schakelt over op de noodmodus. In deze modus worden de accu's afhankelijk van de systeemspanning met max. 5 ampère tot 12V, 24V of 48V opgeladen. Opmerking: in deze modus brandt alleen de LED Voeding Aan. Als u de AC-ingang van de Multi/Quattro loskoppelt, schakelt deze uit. De omvorming wordt dan niet gestart, omdat de toestand van de accu niet door het VE.Bus BMS kan worden geverifieerd.

Opmerking: als de accu's leeg of losgekoppeld zijn, moeten de Quattro's door AC-ingang 1 worden gevoed. Door het voeden van AC-ingang 2 zal de Quattro niet worden ingeschakeld en starten met opladen.

### Vraag 2: De accu's zijn leeg en de Multi/Quattro start niet met opladen. Hoe kan ik het systeem weer aan de gang krijgen?

Als lithiumaccu's bijna leeg zijn (de spanning ligt dan rond 9V of zelfs lager), kan het gebeuren dat de accuspanning onder het bedrijfsspanningsbereik van het VE.Bus BMS ligt. In dat geval is het VE.Bus BMS niet in staat om de Multi/Quattro te starten, ook al is er een AC Detector geïnstalleerd. Om het systeem weer opnieuw te starten, moet het VE.Bus BMS worden losgekoppeld van de Multi. Zie verder vraag 1. Opmerking: het kan nodig zijn om alle Blue Power Panels, NMEA2000-interfaces of overige gelijksoortige intelligente apparaten los te koppelen. Zolang deze zelf niet zijn ingeschakeld, kunnen deze het inschakelen van de Multi/Quattro voorkomen.

Een eenvoudiger optie om een bijna leeg systeem weer te activeren kan zijn om een kleine acculader, met bijvoorbeeld 5 ampère, aan te sluiten en te wachten tot de accuspanning weer 12 volt heeft bereikt.

### Vraag 3: Wat gebeurt er met de Multi/Quattro als het BMS een signaal voor lage celspanning afgeeft?

De Multi/Quattro bevindt zich dan in de modus 'alleen oplader': als er wisselstroom beschikbaar is, worden de accu's opgeladen. En als er geen wisselstroom beschikbaar is, wordt deze uitgeschakeld.

### Vraag 4: Wat gebeurt er met de Multi/Quattro als het BMS een signaal voor hoge celspanning afgeeft?

Het signaal voor hoge celspanning wordt alleen afgegeven als de cellen niet in evenwicht zijn. De Multi/Quattro schakelt over naar bulkclading en begint met een lagere laadstroom op te laden. Hierdoor kan het balanceersysteem de cellen weer in evenwicht brengen.



## 8. Specificaties

<b>VE.Bus BMS</b>	
Ingangsspanningsbereik	9 - 70V DC
Stroomopname, normale bedrijfsmodus	10mA (exclusief stroom voor Load Disconnect)
Stroomopname, bij lage celspanning	2mA
Uitgang Load Disconnect	Normaal gesproken op HIGH (uitgangsspanning ≈ voedingsspanning – 1V) ‘Floating’ als belasting moet worden losgekoppeld Bronstroomgrenswaarde: 2A Drainstroom: 0A
Uitgang Charge Disconnect	Normaal gesproken hoog, (uitgangsspanning ≈ voedingsspanning – 1V) ‘Floating’ als de acculader moet worden losgekoppeld Bronstroomgrenswaarde: 10mA Drainstroom: 0A
<b>ALGEMEEN</b>	
VE.Bus-communicatiepoort	Twee RJ45-bussen om alle VE.Bus-producten aan te sluiten
Bedrijfstemperatuur	-20 tot +50°C 0 - 120°F
Luchtvochtigheid	Max. 95% (niet condenserend)
Beveiligingsklasse	IP20
<b>BEHUIZING</b>	
Materiaal en kleur	ABS, mat zwart
Gewicht	0,1kg
Afmetingen (hxbxd)	105 x 78 x 32 mm
<b>NORMEN</b>	
Normen: Veiligheid	NEN-EN 60950
Emissie	NEN-EN 61000-6-3, NEN-EN 55014-1
Immuneiteit	NEN-EN 61000-6-2, NEN-EN 61000-6-1, NEN-EN 55014-2
Voertuigrichtlijn	NEN-EN 50498

EN

NL

FR

DE

SE

<b>Cyrix Li-ion ct</b> (zie Cyrix Li-ion datasheet voor meer informatie)	<b>12/24-120</b>	<b>24/48-120</b>
Continue stroom	120A	
Koppelspanning	Van 13,7V tot 13,9V en 27,4V tot 27,8V met intelligente trenddetectie	
Ontkoppelingsspanning	Van 13,2V tot 13,4V en 26,4V tot 26,8V met intelligente trenddetectie	
Start Assist	Ja (De Cyrix blijft 15 seconden lang actief nadat de regelingangsspanning twee keer is verhoogd naar de accu-minus)	
<b>Cyrix Li-ion Load</b>	<b>12/24-120</b>	<b>24/48-120</b>

Gebruik hiervoor in de plaats een Battery Protect: veel lager stroomverbruik

<b>Cyrix Li-ion Charge</b>	<b>12/24-120</b>	<b>24/48-120</b>
Continue stroom	120A	120A
Koppelspanning	Wordt geactiveerd als de spanning aan de laderzijde 13,7V tot 13,9V en 27,4V tot 27,8V overschrijdt, met intelligente trenddetectie	Wordt geactiveerd als de spanning aan de laderzijde 27,4V tot 27,8V en 54,8V tot 55,6V overschrijdt, met intelligente trenddetectie
Ontkoppelingsspanning	Van 13,2V tot 13,4V en 26,4V tot 26,8V met intelligente trenddetectie	Van 26,4V tot 26,8V en 52,8V tot 53,6V met intelligente trenddetectie
Detectie 'opladen niet actief'	De Cyrix wordt elk uur gedeactiveerd en blijft open in geval er een te lage spanning aan de laderzijde optreedt	
<b>Algemeen</b>	<b>12/24-120</b>	<b>24/48-120</b>
Ontkoppeling bij overspanning	16V / 32V	32V / 64V
Ontkoppeling bij overtemperatuur	Ja	
Stroomopname (open)	<4mA	
Stroomopname (gesloten)	<220mA / < 110mA	< 110mA / < 60mA
Bedrijfstemperatuurbereik	-20 tot +50°C	
Beschermingsklasse	IP54	
Gewicht kg (lbs)	0,11 (0,24)	
Afmetingen h x b x d in mm (h x b x d in inch)	46 x 46 x 80 (1,8 x 1,8 x 3,2)	

NL

## Bijlage:

**Belastingen die direct kunnen worden geregeld door de belastingsontkoppelinguitgang van het BMS**

### Omvormers:

Alle Phoenix omvormers VE.Direct 250/375/500/800/1200  
Phoenix 12/800      Phoenix 24/800  
Phoenix 12/1200    Phoenix 24/1200  
Phoenix 48/800     Phoenix 48/1200

### DC-DC-omvormers:

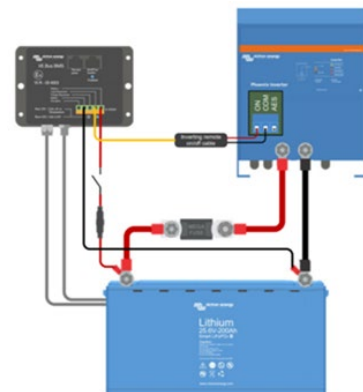
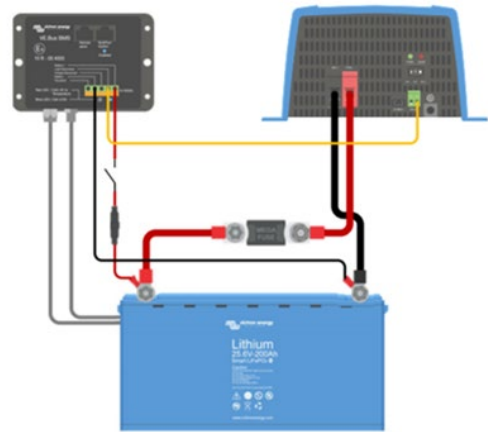
Alle Tr type DC-DC converters  
Orion 12/24-20  
Orion 24/12-25  
Orion 24/12-40  
Orion 24/12-70

**Belastingen, waarvoor een omvormende kabel voor het op afstand in- of uitschakelen is vereist**  
(artikelnummer ASS030550100)

### Omvormers:

Phoenix 12/180  
Phoenix 24/180  
Phoenix 12/350  
Phoenix 24/350

Alle Phoenix-omvormers met een nominaal vermogen van 3kVA en meer



**Belastingontkoppelingsschakelaar, waarvoor een niet-omvormende kabel voor het op afstand in- of uitschakelen is vereist**  
(artikelnummer ASS030550200)

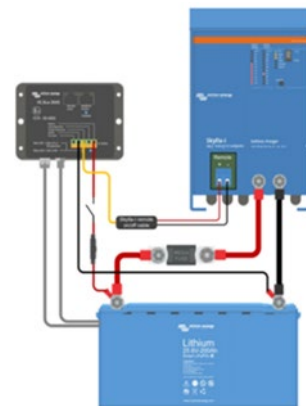
BatteryProtect BP-40i  
BatteryProtect BP-60i  
BatteryProtect BP-200i

(Niet-omvormende kabel voor het op afstand in- of uitschakelen is niet nodig voor de nieuwere modellen BP-50, BP-60, BP-100, BP-220 en BP 48V-100A)



**Voor Skylla TG acculaders is een niet-omvormende kabel voor het op afstand in- of uitschakelen vereist**  
(artikelnummer ASS030550200)

**Voor Skylla-i acculaders is een Skylla-i kabel voor in-/uitschakelen op afstand vereist**  
(artikelnr. ASS030550400)



## 1. Description générale

### Protège chaque cellule individuelle d'une batterie au phosphate de lithium-fer (LiFePO<sub>4</sub>)

Chaque cellule individuelle d'une batterie LiFePO<sub>4</sub> doit être protégée contre la surtension, la sous-tension et la surchauffe. Les batteries LiFePO<sub>4</sub> de Victron intègrent l'équilibrage des charges, le contrôle de température et de tension (acronyme : BTV) et elles se connectent au VE.Bus BMS avec deux ensembles de conducteurs circulaires M8.

Les BTV de plusieurs batteries peuvent être connectés en série. Veuillez consulter la documentation relative aux batteries LiFePO<sub>4</sub> pour de plus amples détails

Le BMS :

- s'arrêtera ou déconnectera les charges en cas de sous-tension imminente sur les cellules,
- réduira le courant de charge en cas de surtension ou de surchauffe imminente sur les cellules (produits VE.Bus, voir ci-dessous), et
- arrêtera ou déconnectera les chargeurs de batterie en cas de surtension ou surchauffe imminente sur les cellules.

### Protège des systèmes de 12 V, 24 V et 48 V

Plage de tension d'exploitation du BMS : de 9 à 70 V CC.

### Communique avec tous les produits VE.Bus

Le VE.Bus BMS se connecte à un MultiPlus, Quattro ou convertisseur Phoenix avec un câble RJ45 UTP standard.

Des produits sans VE.Bus peuvent être contrôlés comme il est indiqué ci-dessous :

**Remarque : détecteur de CA pour MultiPlus et Quattro (inclus dans les livraisons de BMS de VE.Bus ) inutile pour les modèles MultiPlus-II**

### Déconnexion des charges consommatrices

La sortie de déconnexion en cas de décharge est normalement élevée et elle devient flottante en cas de sous-tension imminente sur une cellule. Courant maximal : 2 A

La sortie de déconnexion en cas de décharge peut être utilisée pour contrôler

- l'allumage/arrêt (on/off) d'une charge, et/ou
- l'allumage/arrêt d'un interrupteur de charge électronique (BatteryProtect, solution de consommation électrique faible préférée).

### Pré-alarme

La sortie de pré-alarme est normalement flottante, et elle devient élevée en cas de risque imminent de sous-tension sur la(les) cellule(s) (par défaut 3,1 V/cellule, valeur ajustable sur la batterie entre 2,85 et 3,15 V par cellule). Courant maximal : 1 A (non protégée contre les courts-circuits).

Le retard minimal de déconnexion entre la pré-alarme et la déconnexion de la charge est de 30 secondes.

### Déconnexion de charge

La sortie de déconnexion de charge est normalement élevée et elle devient flottante en cas de surtension ou surchauffe imminente sur les cellules. Courant maximal : 10 mA

La sortie de déconnexion de charge peut être utilisée pour contrôler

- l'allumage/arrêt (on/off) d'un chargeur, et/ou
- un relais de Cyrix-Li-Charge et/ou
- un coupleur de batterie Cyrix-Li-ct.

### Indicateurs LED

- Activé (bleu) : Les produits VE.Bus sont activés.
- Cellule >4 V ou température (rouge) : Sortie de déconnexion de charge en raison d'une surtension ou d'une surchauffe imminente sur les cellules.
- Cellule >2,8 V (bleu) : sortie de déconnexion de charge élevée.  
Sortie de déconnexion de charge faible si éteint, en raison d'une sous-tension imminente sur les cellules (Vcell≤2,8V).

## 2. Consignes de sécurité

L'installation doit respecter strictement les réglementations internationales en matière de sécurité pour répondre aux exigences relatives au boîtier, à l'installation, ligne de fuite, jeu, sinistres, marquages et séparation de l'application d'utilisation finale.

L'installation doit être réalisée uniquement par des techniciens qualifiés et formés. Arrêtez le système et vérifiez les risques liés aux tensions avant de modifier toute connexion.

- Ne pas ouvrir la batterie au lithium-ion.
- Ne pas décharger une batterie au lithium-ion neuve tant qu'elle n'a pas été d'abord entièrement chargée.
- Charger uniquement dans les limites spécifiées.
- Ne pas installer la batterie au lithium ion à l'envers.
- Vérifier si la batterie au lithium-ion a été endommagée durant le transport.

### 3. Éléments à prendre en compte

#### 3.1 Avertissement important

Les batteries au lithium-ion sont chères et elles peuvent être endommagées par une décharge ou charge excessive. Les dommages dus à un excès de décharge peuvent se produire si de petites charges (telles que : des systèmes d'alarme, des relais, un courant de veille de certaines charges, un courant de rappel absorbé des chargeurs de batterie ou régulateurs de charge) déchargent lentement la batterie quand le système n'est pas utilisé.

En cas de doute quant à un risque d'appel de courant résiduel, isolez la batterie en ouvrant l'interrupteur de batterie, en tirant le(s) fusible(s) de la batterie ou en déconnectant le pôle positif de la batterie si le système n'est pas utilisé.

**Un courant de décharge résiduel est particulièrement dangereux si le système a été entièrement déchargé et qu'un arrêt a eu lieu en raison d'une tension faible sur une cellule. Après un arrêt dû à une tension de cellule trop faible, une réserve de puissance d'environ 1 Ah par batterie de 100 Ah est laissée dans la batterie. La batterie sera endommagée si la réserve de puissance restante est extraite de la batterie. Par exemple, un courant résiduel de 10 mA peut endommager une batterie de 200 Ah si le système est laissé déchargé pendant plus de 8 jours.**

#### 3.2 Assistant d'installation du AC Detector Li-ion pour les MultiPlus et Quattro (non nécessaire pour les modèles MultiPlus-II)

Le AC Detector est un petit accessoire qui peut être intégré à un MultiPlus ou un Quattro s'ils sont utilisés avec une batterie LiFePO<sub>4</sub> et un BMS de VE.Bus. Chaque BMS de VE.Bus est livré avec un AC Detector (détecteur de CA).

La mission du AC Detector consiste à redémarrer le MultiPlus ou le Quattro si l'alimentation CA est de nouveau disponible, au cas où ils aient été éteints par le BMS en raison d'une tension de cellule faible.

Sans le AC Detector, le MultiPlus ou le Quattro resterait éteint, et il ne pourrait donc plus recharger la batterie après un arrêt dû à une tension de batterie faible.

**Le AC Detector (détecteur de CA) a besoin de l'assistant logiciel pour batteries au lithium-ion ou de l'assistant Self-consumption ESS pour fonctionner comme prévu.**

Les convertisseurs (CC à CA uniquement) avec un VE.Bus CAN peuvent être connectés directement à l'entrée du MultiPlus/Quattro du BMS. Aucun AC Detector ou assistant n'est nécessaire.

#### 3.3 Décharges CC avec des bornes d'allumage/arrêt (on/off) à distance

Les décharges CC doivent être éteintes ou débranchées en cas de sous-tension imminente sur les cellules.

La sortie de déconnexion de décharge du VE.Bus BMS peut être utilisée à cette fin.

La tension de déconnexion de la décharge est normalement élevée (égale à la tension de batterie) et elle devient flottante (= circuit ouvert) en cas de sous-tension imminente sur les cellules (pas de réduction de niveau interne afin de limiter la consommation de courant résiduel en cas de tension faible des cellules).

Les décharges CC avec une borne d'allumage/arrêt à distance, qui active la charge quand la borne est à son niveau élevé (au pôle positif de la batterie) et qui la désactive si la borne est flottante, peuvent être contrôlées directement avec la sortie de déconnexion de charge.

Voir l'annexe pour une liste des produits Victron présentant ce comportement.

Pour les décharges CC avec une borne d'allumage/arrêt à distance qui allume la décharge quand la borne est à son niveau bas (au pôle négatif de la batterie) et qui l'éteint si la borne est flottante, le **câble inverseur d'allumage/arrêt à distance** peut être utilisé. Voir l'annexe

**Remarque : Veuillez vérifier le courant résiduel de la charge quand elle est éteinte. Après un arrêt dû à une tension de cellule trop faible, une réserve de puissance d'environ 1 Ah par batterie de 100 Ah est laissée dans la batterie. Par exemple, un courant résiduel de 10 mA peut endommager une batterie de 200 Ah si le système est laissé déchargé pendant plus de 8 jours.**

#### 3.4 Décharge CC : déconnexion de la décharge avec un BatteryProtect (disponible en 12 V et 24 V uniquement)

Un dispositif Battery Protect déconnectera la décharge si :

- la tension d'entrée (= tension de batterie) descend en dessous de la valeur préconfigurée, ou si
- la borne d'allumage/arrêt à distance passe à son niveau bas. Le VE.Bus BMS peut être utilisé pour contrôler la borne d'allumage/arrêt à distance

**(Un câble non inverseur d'allumage/arrêt à distance est nécessaire).**

Contrairement à un Cyrix ou un contacteur, un BatteryProtect peut démarrer une décharge avec un grand condensateur d'entrée tel qu'un convertisseur ou un convertisseur CC-CC.

#### 3.5 Charger la batterie LiFePO<sub>4</sub> avec un chargeur de batterie

La charge de la batterie doit être réduite ou arrêtée en cas de surtension ou surchauffe imminente des cellules.

La sortie de déconnexion de charge du VE.Bus BMS peut être utilisée à cette fin.

La déconnexion de charge est normalement élevée (égale à la tension de la batterie) et elle commute à l'état de circuit ouvert en cas de surtension imminente sur une cellule.

Les chargeurs de batterie ayant une borne d'allumage/arrêt à distance, qui active le chargeur quand la borne est à son niveau élevé (au pôle positif de la batterie) et qui le désactive si la borne est laissée flottante, peuvent être contrôlés directement avec la sortie de déconnexion de charge.

Voir l'annexe pour une liste des produits Victron présentant ce comportement.

Pour les chargeurs de batterie ayant une borne à distance, qui active le chargeur si la borne est à son niveau bas (au pôle négatif de la batterie) et qui le désactive si la borne est laissée flottante, le **câble inverseur d'allumage/arrêt à distance** peut être utilisé. Voir l'annexe

Sinon, un **Cyrix-Li-Charge** peut être utilisé :

Le Cyrix-Li-Charge est un coupleur unidirectionnel qui est placé entre un chargeur de batterie et la batterie LiFePO<sub>4</sub>. Il s'active uniquement si une tension de charge provenant d'un chargeur de batterie est présente sur sa borne côté-charge. Une borne de contrôle se connecte à la sortie de déconnexion de charge du BMS.

### 3.6 Charger la batterie LiFePO<sub>4</sub> avec un alternateur

Voir figure 6.

Le **Cyrix-Li-ct** est recommandé pour cette application.

Le microprocesseur contrôlé par Cyrix-Li-ct comprend une minuterie et une détection de tendance de tension. Cela évitera des commutations fréquentes dues à une chute de tension dans le système quand celui-ci se connecte à une batterie déchargée.

EN

NL

FR

DE

SE

## 4. Installation

### 4.1 AC Detector pour MultiPlus et Quattro (inclus dans la livraison du VE.Bus BMS). Non nécessaire pour les modèles MultiPlus-II.

La mission du AC Detector consiste à redémarrer le MultiPlus ou le Quattro si l'alimentation CA est de nouveau disponible, au cas où ces appareils auraient été éteints par le BMS en raison d'une tension de cellule faible (afin de pouvoir recharger la batterie).

Note 1 : Le AC Detector n'est pas nécessaire dans le cas d'un convertisseur.

Note 2 : Dans les systèmes composés de plusieurs unités configurées pour un fonctionnement en parallèle, triphasé ou phase auxiliaire, le AC Detector doit être raccordé à l'unité maîtresse ou meneur **uniquement**.

Note 3 : L'assistant pour VE.Bus BMS ou l'assistant v2 du Centre-2 d'autoconsommation doit être chargé dans **toutes** les unités.

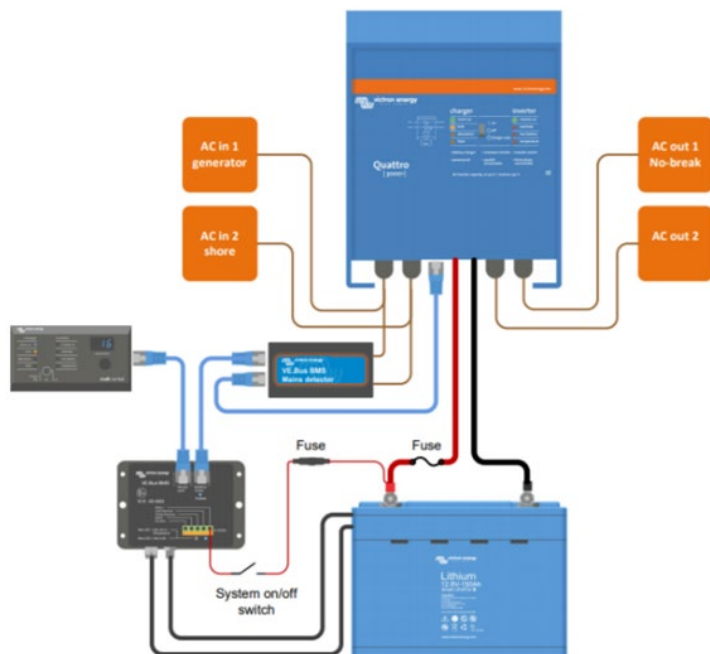


Schéma 1 : Schéma fonctionnel avec un AC Detector dans un Quattro

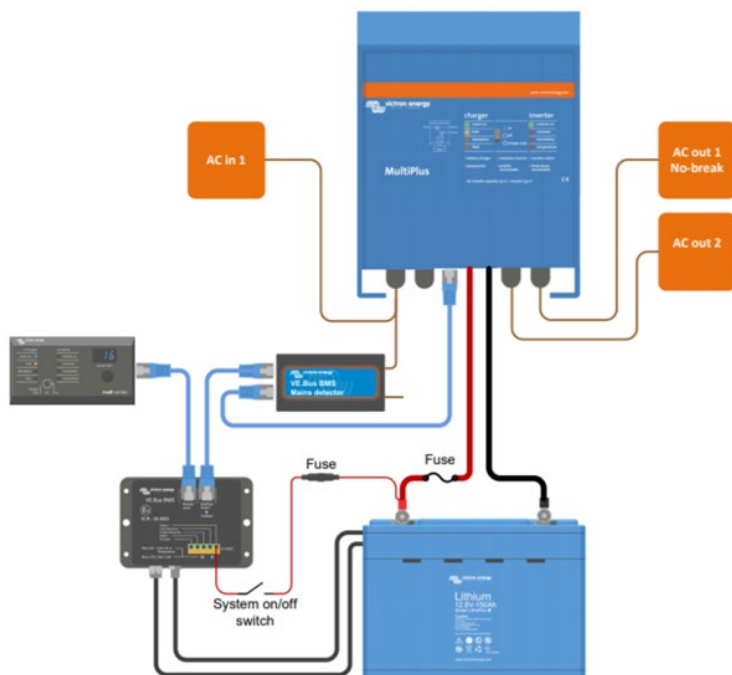


Schéma 2 : Schéma fonctionnel avec un AC Detector dans un MultiPlus

### Procédure d'installation (voir la figure 3)

- Connectez les fils d'entrée marron et bleu aux fils neutre et de phase de l'entrée AC-in-1.
- Quattro : connectez les fils de sortie marron et bleu aux fils neutre et de phase de l'entrée AC-in-2.
- MultiPlus : aucune entrée CA-in-2 disponible. Veuillez couper les fils CA2 près du AC Detector

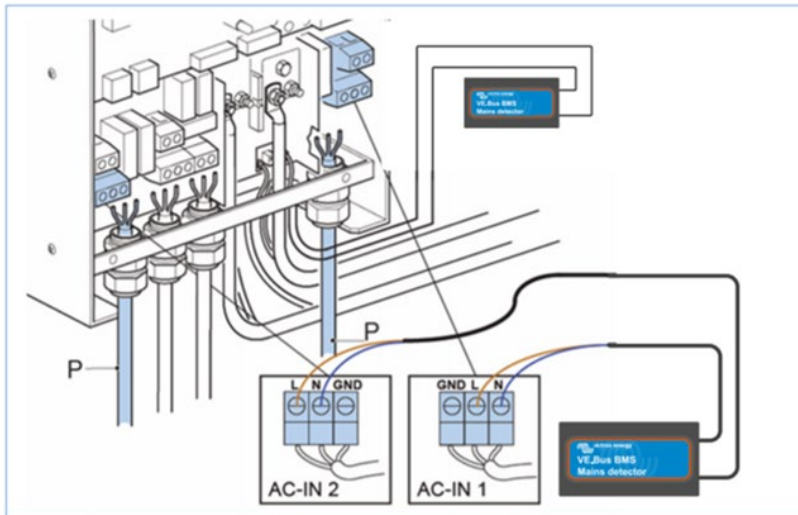


Schéma 3 : Connexion du AC Detector

- Utilisez le câble court RJ45 UTP pour connecter le AC Detector à l'un des deux sockets du VE.Bus sur le MultiPlus ou le Quattro (voir figure 4).
- Connectez le VE.Bus BMS au AC Detector avec un câble UTP (non inclus).
- Un tableau de commande numérique Multi Control doit être connecté au BMS du VE.Bus. **Ne pas connecter un tableau de commande numérique Multi Control directement à un Multi ou Quattro** (les signaux d'un tableau de commande peuvent entrer en conflit avec des signaux provenant du BMS du VE.Bus).
- Le tableau de commande ColorControl doit être connecté directement au Multi ou au Quattro

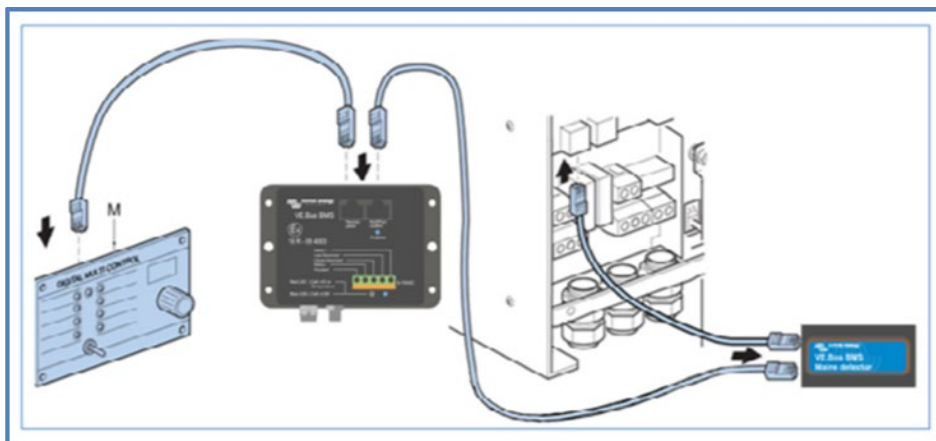


Schéma 4 : Connexions du VE.Bus

#### 4.2 Raccorder le système : voir des exemples de systèmes ci-dessous

**Durant cette étape, ne pas le connecter au pôle positif de la batterie** (autrement : ne pas insérer le(s) fusible(s) de batterie).

Important :

- Le câble UTP allant au convertisseur ou convertisseur/chargeur connecte également le pôle négatif de la batterie du BMS. Dans ce cas, afin d'éviter des boucles de masse, ne branchez pas le pôle négatif de la batterie du BMS.
- Branchez l'entrée d'alimentation positive du VE.Bus BMS au pôle positif du système. Un interrupteur d'allumage/arrêt du système sur le fil d'alimentation positif désactivera le système s'il est ouvert.

### 4.3 Batterie

En cas de configuration en parallèle et/ou en série de plusieurs batteries, les deux ensembles de conducteurs circulaires M8 de chaque batterie doivent être connectés en série (connexion en série). Connectez les deux conducteurs restant au BMS.

### 4.4 Allumage

En cas d'un système uniquement CC : connectez le pôle positif de la batterie. Le système est maintenant prêt à l'emploi.

Dans le cas d'un système avec des Multis, des Quattros ou des convertisseurs avec un VE.Bus :

4.4.1. Après avoir terminé l'installation, déconnectez le BMS du VE.Bus et remplacez-le par une Interface Victron MK2 et un ordinateur.

4.4.2. Connectez le pôle positif de la batterie.

4.4.2. Configurez le convertisseur/chargeur(s) ou convertisseur(s) pour un fonctionnement en parallèle ou triphasée, le cas échéant.

Convertisseur/chargeurs : le AC Detector doit être installé uniquement sur le maître ou meneur d'un système en parallèle ou triphasé.

Convertisseurs : Aucun AC Detector n'est nécessaire.

4.4.3. Chargez l'assistant du BMS du VE.Bus ou l'assistant du ESS (Centre de stockage) sur toutes les unités (cela doit être fait séparément pour chacune des unités).

4.4.4. Retirez le MK2 et reconnectez le BMS.

4.4.5. Le système est maintenant prêt à l'emploi.

## 5. Exemples de système

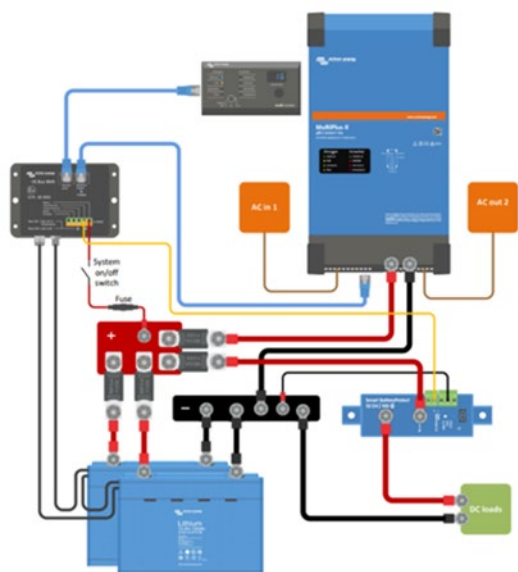


Schéma 5 : Système avec MultiPlus-II et charges CC

Remarque : le BMS est connecté au pôle négatif de la batterie par un câble UTP placé entre le BMS et le convertisseur/chargeur. Par conséquent, afin d'éviter les boucles de masse, ne branchez pas le pôle négatif du BMS.

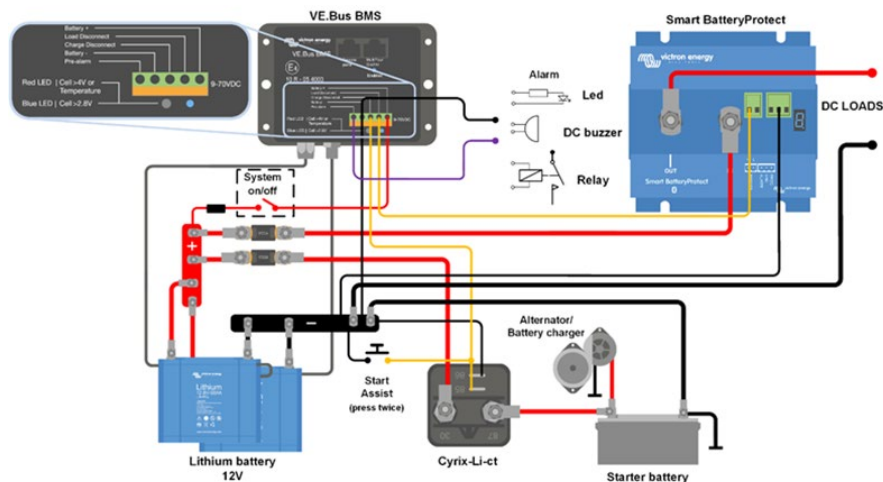


Schéma 6 : Système uniquement CC pour un bateau ou un véhicule avec une connexion en parallèle de la batterie de démarrage et au lithium-ion

Remarque : dans ce cas, le pôle négatif de la batterie du BMS doit être câblé.



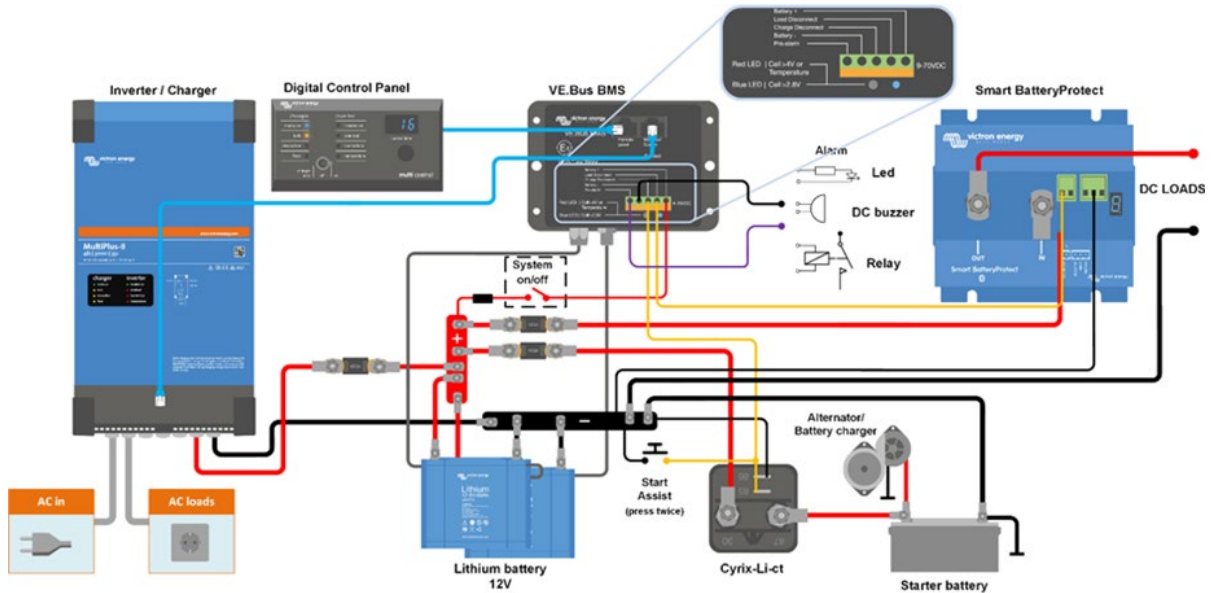


Schéma 7 : Système pour un bateau ou un véhicule avec un chargeur/convertisseur MultiPlus-II

Remarque : le BMS est connecté au pôle négatif de la batterie par un câble UTP placé entre le BMS et le convertisseur/chargeur. Par conséquent, afin d'éviter les boucles de masse, ne branchez pas le pôle négatif du BMS.

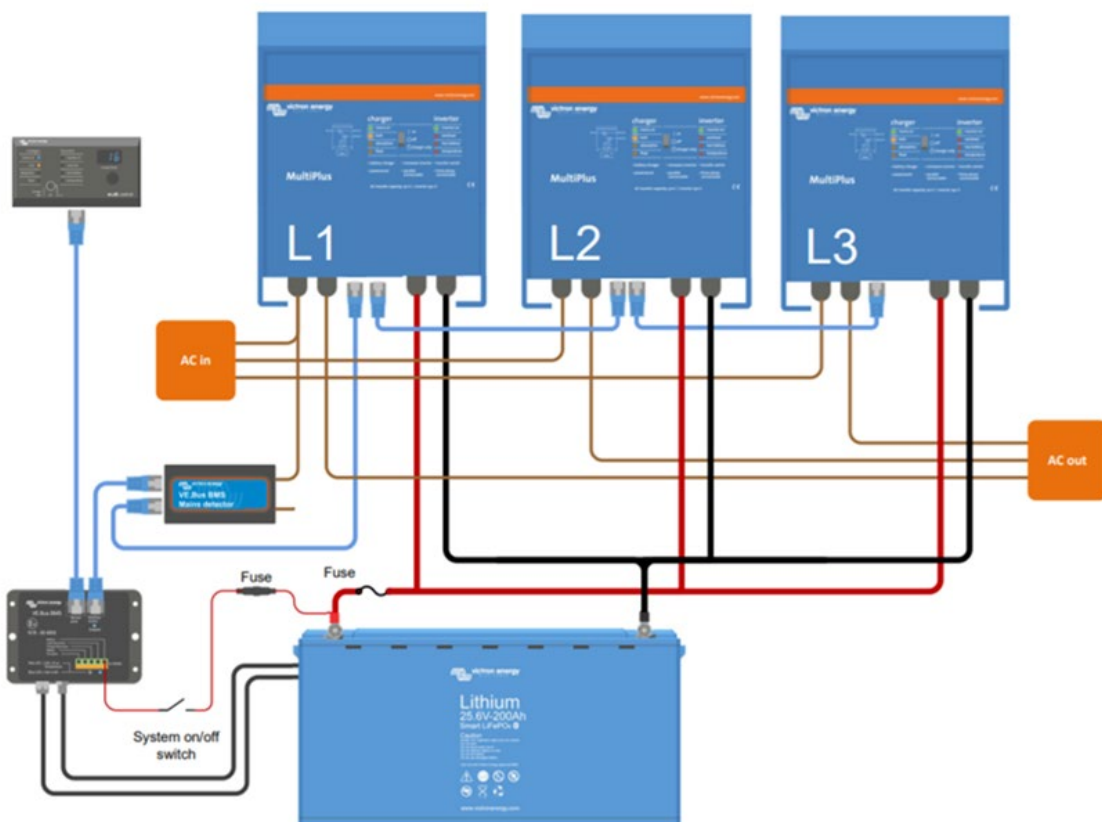


Schéma 8 : Exemple de système pour un bateau ou un véhicule avec un convertisseur/chargeur en configuration triphasée (fusibles CC non montrés, sauf pour le fusible de la batterie au lithium-ion).

Note 1 : le AC Detector est installé uniquement sur le meneur.

Note 2 : le BMS est connecté au pôle négatif de la batterie par un câble UTP placé entre le BMS et le convertisseur/chargeur.

Par conséquent, afin d'éviter les boucles de masse, ne branchez pas le pôle négatif du BMS.

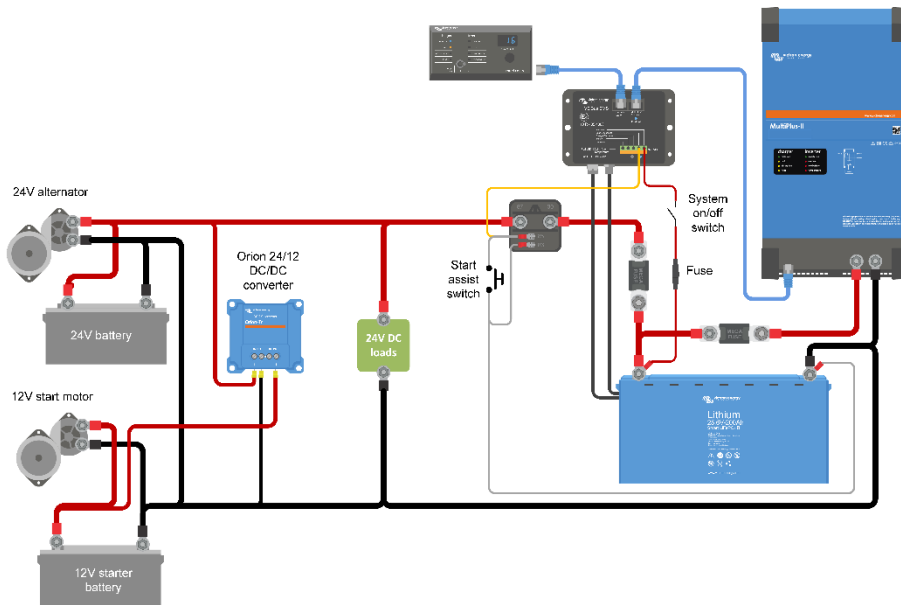


Schéma 9 : Exemple de système pour un bateau ou un véhicule disposant d'un système au lithium-ion de 24 V, d'un alternateur de 24 V et d'une batterie de démarrage de 12 V.  
 Pour charger une batterie de démarrage : utilisez un convertisseur CC-CC ou un petit chargeur de batterie connecté au Multi ou au Quattro.  
 Les alternateurs, ayant besoin d'une tension CC sur la sortie B+ pour lancer la charge, peuvent être démarrés en appuyant sur le bouton-poussoir du StartAssist une fois que le moteur est en marche.  
 Note : le BMS est connecté au pôle négatif de la batterie par un câble UTP placé entre le BMS et le convertisseur/chargeur. Par conséquent, afin d'éviter les boucles de masse, ne branchez pas le pôle négatif du BMS.

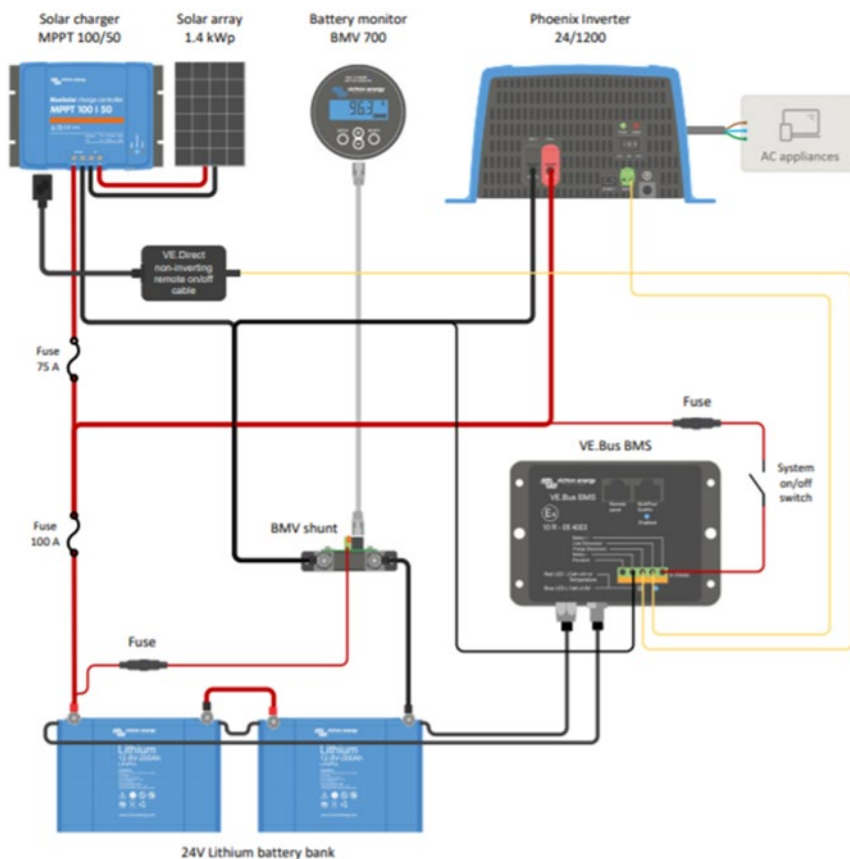


Schéma 10 : Application solaire avec un MPPT équipé d'un port VE.Direct et un Convertisseur Phoenix 24/1200 VE.Direct.

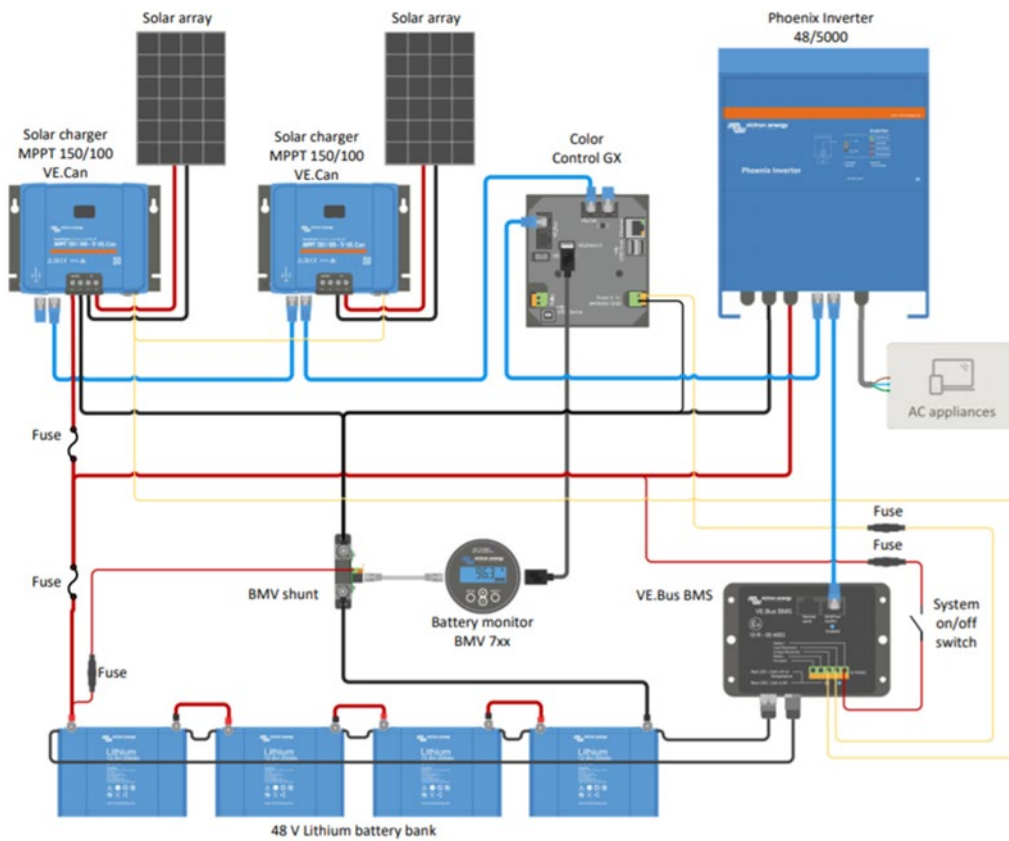
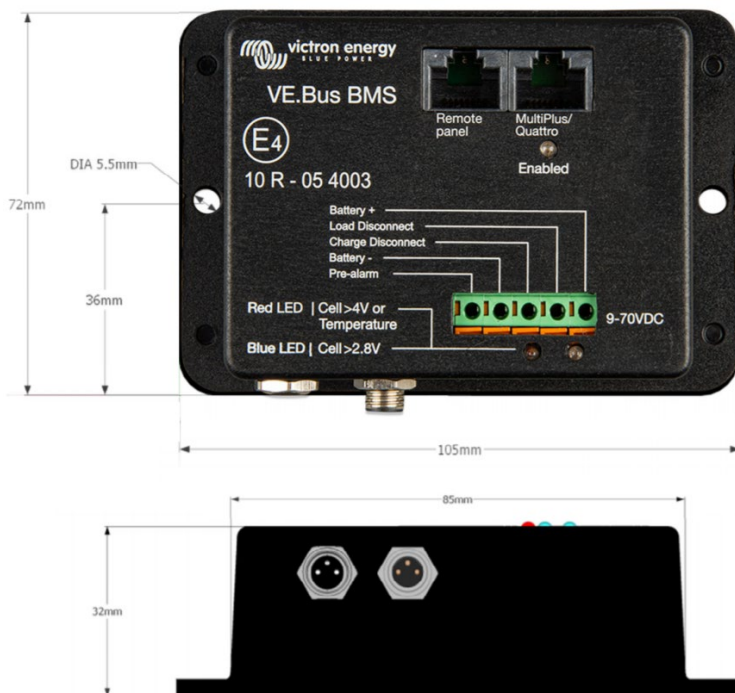


Schéma 11 : Application solaire avec deux MPPT 150/100-Tr VE.Can

Note : le BMS est connecté au pôle négatif de la batterie par un câble UTP placé entre le BMS et le convertisseur/chargeur. Par conséquent, afin d'éviter les boucles de masse, ne branchez pas le pôle négatif du BMS.

## 6. Dimensions



## 7. Questions fréquentes

### Q1 : J'ai déconnecté le VE.Bus BMS, et à présent, mon Multi ou Quattro ne s'allumera pas, pourquoi ?

Un Multi ou un Quattro programmé avec l'assistant VE.Bus BMS, et incapable de trouver un VE.Bus BMS sur le bus, passera en mode d'urgence. Dans ce mode, il chargera les batteries avec 5 ampères maxi, jusqu'à 12 V, 24 V ou 48 V, en fonction de la tension du système. Notez que dans ce mode, la seule LED allumée est la LED Mains On (réseau allumé). Si vous déconnectez l'entrée CA du Multi/Quattro, il s'éteindra. Il ne démarrera pas la conversion tant qu'il n'obtiendra pas la vérification de l'état de la batterie de la part du VE.Bus BMS.

Veillez remarquer que quand les batteries sont épuisées ou déconnectées, les Quattro ont besoin d'être alimentés depuis l'entrée CA 1. L'alimentation à travers l'Entrée CA 2 ne fera pas démarrer le Quattro ni ne lancera la charge.

### Q2 : Les batteries sont vides, et le Multi/Quattro ne commencera pas à charger. Comment lancer le système et le faire redémarrer ?

Quand les batteries au lithium-ion sont épuisées (la tension est d'environ 9 V ou même moins), la tension de batterie doit se trouver en dessous de la fenêtre d'exploitation du VE.Bus BMS. Dans ce cas, le VE.Bus BMS ne pourra pas démarrer le Multi/Quattro, même si un AC Detector est installé. Pour redémarrer le système, déconnectez le VE.Bus BMS du Multi, et consultez la Q1. Veillez noter qu'il peut être nécessaire de déconnecter l'un des tableaux de commande Blue Power, les Interfaces NMEA200 ou d'autres produits intelligents semblables. Tant qu'ils ne sont pas eux-mêmes allumés, ils peuvent empêcher le Multi/Quattro de démarrer.

Une solution plus simple pour relancer un système épuisé peut consister à connecter un petit chargeur de batterie, par exemple de 5 ampères, et à attendre que la tension de la batterie remonte à 12 V.

### Q3 : Que se passe-t-il pour le Multi/Quattro, si le BMS présente un signal de tension faible sur une cellule ?

Le Multi/Quattro ne sera qu'en mode chargeur uniquement : si une entrée CA est présente, il chargera les batteries. Et s'il n'y a pas d'énergie CA, il s'éteindra.

### Q4 : Que se passe-t-il pour le Multi/Quattro, si le BMS présente un signal de tension élevée sur une cellule ?

Le signal de tension élevée des cellules ne surviendra que si des cellules sont déséquilibrées. Le Multi/Quattro commutera en mode bulk, et il commencera à charger avec un courant de charge réduit. Cela permettra au système d'équilibrage des charges d'équilibrer de nouveau les cellules.

## 8. Caractéristiques

EN

NL

FR

DE

SE

VE.Bus BMS	
Plage de tension d'alimentation	9 - 70 VCC
Appel de courant, fonctionnement normal	10 mA (sauf le courant de déconnexion de charge)
Appel de courant, tension de cellule faible	2 mA
Sortie de déconnexion de charge	Normalement élevée (tension de sortie ≈ tension d'alimentation - 1 V) Flottante si la charge doit être déconnectée Limite de courant de source : 2 A Courant absorbé : 0 A
Sortie de déconnexion de charge	Normalement élevée (tension de sortie ≈ tension d'alimentation - 1 V) Flottante si le chargeur doit être déconnectée Limite de courant de source : 10 mA Courant absorbé : 0 A
<b>GÉNÉRAL</b>	
Port de communication VE.Bus	Deux sockets RJ45 pour connecter tous les produits VE.Bus
Température d'exploitation	-20 à +50°C 0 - 120°F
Humidité	95% max. (sans condensation)
Degré de protection	IP20
<b>BOÎTIER</b>	
Matériel et couleur	ABS, matt black
Poids	0,1 kg
Dimensions (HxLxP)	105 x 78 x 32 mm
<b>NORMES</b>	
Normes : Sécurité	EN 60950
Émission	EN 61000-6-3, EN 55014-1
Immunité	EN 61000-6-2, EN 61000-6-1, EN 55014-2
Directive sur l'automobile	EN 50498

Cyrix Li-ion ct (voir la fiche technique du Cyrix Li-On pour de plus amples renseignements)	12/24-120	24/48-120
Courant continu	120 A	
Tension de connexion	De 13,7V à 13,9V et 27,4 V à 27,8 V avec une détection de tendance intelligente	
Tension de déconnexion	De 13,2 V à 13,4 V et 26,4 V à 26,8 V avec une détection de tendance intelligente	
Start-Assist	Oui (Le Cyrix reste enclenché pendant 15 secondes, après que l'entrée de contrôle a été acheminée deux fois sur le pôle négatif de la batterie).	
Cyrix Li-ion load	12/24-120	24/48-120

S'il vous plaît utiliser une batterie Protéger la place: la consommation d'énergie beaucoup plus faible

Cyrix Li-ion Charge	12/24-120	24/48-120
Courant continu	120 A	120 A
Tension de connexion	S'enclenche si la tension sur le côté du chargeur dépasse 13,7 V à 13,9 V et 27,4 V à 27,8 V avec une détection de tendance intelligente	S'enclenche si la tension sur le côté du chargeur dépasse 54,8 V à 55,6 V et 27,4 V à 27,8 V avec une détection de tendance intelligente
Tension de déconnexion	De 13,2 V à 13,4 V et 26,4 V à 26,8 V avec une détection de tendance intelligente	De 26,4 V à 26,8 V et 52,8 V à 53,6 V avec une détection de tendance intelligente
Détection de charge non active	Le Cyrix se désactive toutes les heures et reste ouvert au cas où la tension sur le côté du chargeur serait faible	
Général	12/24-120	24/48-120
Sur tension de déconnexion	16 V / 32 V	32 V / 64 V
Sur chauffe de déconnexion	Oui	
Consommation de courant en position ouvert	< 4 mA	
Consommation de courant en position fermé	<220mA / < 110mA	< 110mA / <60 mA
Plage de température d'exploitation	-20 à +50°C	
Degré de protection	IP54	
Poids kg (lbs)	0,11 (0.24)	
Dimensions h x L x p en mm (h x L x p en pouces)	46 x 46 x 80 (1,8 x 1,8 x 3,2)	

FR

**Annexe :**

**Charges qui peuvent être contrôlées directement par la sortie de déconnexion de charge du BMS**

**Convertisseurs :**

Tous les convertisseurs Phoenix VE.Direct 250/375/500/800/1200

Phoenix 12/800

Phoenix 24/800

Phoenix 12/1200

Phoenix 24/1200

Phoenix 48/800

Phoenix 48/1200

**Convertisseurs CC-CC :**

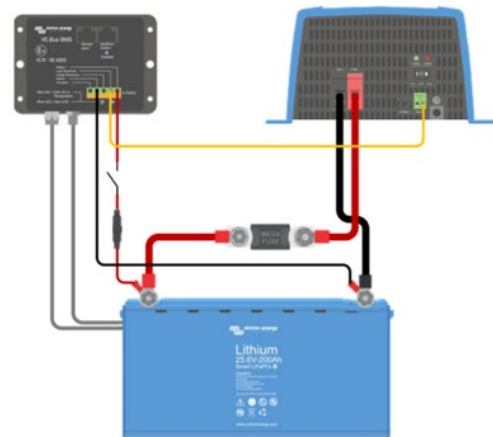
Tous les convertisseurs CC-CC Type Tr

Orion 12/24-20

Orion 24/12-25

Orion 24/12-40

Orion 24/12-70



**Charges pour lesquelles un câble inverseur d'allumage/arrêt à distance est nécessaire**  
(numéro de pièce ASS030550100)

**Convertisseurs :**

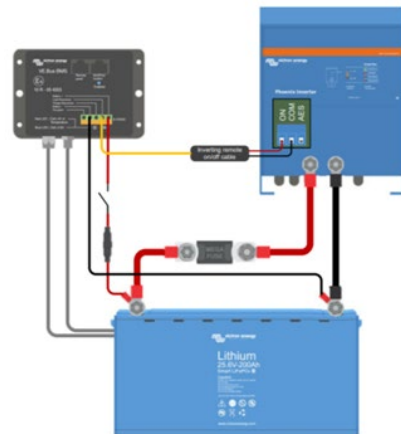
Phoenix 12/180

Phoenix 24/180

Phoenix 12/350

Phoenix 24/350

Tous les convertisseurs Phoenix avec une capacité nominale de 3 kVA et plus



**Interrupteur de déconnexion de charge pour lequel un câble non inverseur d'allumage/arrêt à distance est nécessaire**  
(numéro de pièce ASS030550200)

BatteryProtect BP-40i

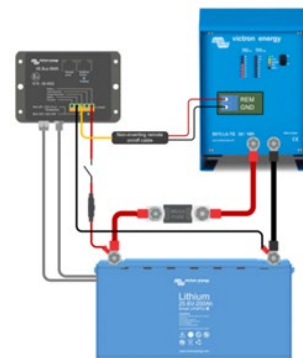
BatteryProtect BP-60i

BatteryProtect BP-200i

(Câble non inverseur d'allumage/arrêt à distance

**non** nécessaire pour les modèles les plus récents

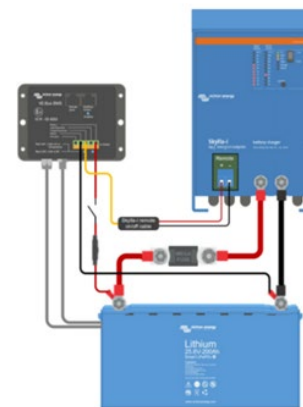
BP-50, BP-60, BP-100, BP-220 et BP 48 V – 100 A)



**Pour les chargeurs de batterie Skylla TG, un câble inverseur d'allumage/arrêt à distance est nécessaire**  
(numéro de pièce ASS030550200)

**Pour les chargeurs de batterie Skylla-i, un câble d'allumage-arrêt à distance est nécessaire**

(numéro de pièce ASS030550400)



## 1. Allgemeine Beschreibung

### Schützt jede einzelne Zelle einer Lithium-Eisen-Phosphat (LiFePO<sub>4</sub>) Batterie von Victron.

Jede einzelne Zelle einer LiFePO<sub>4</sub>-Batterie muss gegen Überspannung, Unterspannung und Übertemperatur geschützt werden. Victron LiFePO<sub>4</sub>-Batterien verfügen über eine eingebaute Zellausgleichs-, Temperatur- und Spannungssteuerung (auf Englisch: Balancing, Temperature and Voltage control daher das Akronym: BTV). Sie werden mit dem VE.Bus BMS über zwei M8 Rundstecker-Kabelsets verbunden.

Die BTVs mehrerer Batterien lassen sich miteinander verketten. Weitere Einzelheiten hierzu entnehmen Sie bitte den technischen Unterlagen zu unserer LiFePO<sub>4</sub> Batterie.

Aufgaben des BMS:

- Abschalten bzw. Trennen von Lasten im Fall einer unmittelbar bevorstehenden Unterspannung;
- Reduzieren des Ladestroms im Falle einer unmittelbar bevorstehenden Zell-Überspannung bzw. Übertemperatur (für VE.Bus Produkte, siehe unten); und
- Abschalten bzw. Trennen der Batterie-Ladegeräte im Falle einer unmittelbar bevorstehenden Zell-Überspannung bzw. Übertemperatur.

### Schützt 12V, 24V und 48V Systeme

Betriebsspannungsbereich des BMS: 9 bis 70V DC.

### Kommuniziert mit allen VE.Bus-Produkten

Das VE.Bus BMS lässt sich an ein MultiPlus-, Quattro- oder Phoenix Wechselrichter Gerät anschließen. Die Verbindung erfolgt über ein Standard RJ45 UTP-Kabel.

Produkte ohne VE.Bus lassen sich wie folgt steuern:

**Hinweis: Der AC-Detector für MultiPlus und Quattro (im Lieferumfang mit dem VE.Bus BMS enthalten) wird für MultiPlus-II Modelle nicht benötigt.**

### "Load Disconnect" (Last trennen)

Der Ausgang "Load Disconnect" (Last trennen) befindet sich normalerweise auf HIGH und wird auf "free floating" gesetzt, wenn eine Zell-Unterspannung unmittelbar bevorsteht. Maximaler Strom: 2A.

Der Ausgang "Load Disconnect" kann zur Steuerung folgender Funktionen verwendet werden:

- ferngesteuertes Ein-/Ausschalten einer Last und/oder
- ferngesteuertes Ein-/Ausschalten eines elektronischen Lastschalters (BatteryProtect, vorzugsweise die Lösung für geringen Stromverbrauch).

### Voralarm

Der Voralarmausgang ist normalerweise frei schwebend und wird bei drohender Unterspannung der Zelle hoch (Standard 3,1 V/Zelle, an der Batterie zwischen 2,85 V und 3,15 V pro Zelle einstellbar). Maximaler Strom: 1 A (nicht kurzschlussfest).

Die Mindestverzögerung zwischen Voralarm und Lastabschaltung beträgt 30 Sekunden.

### "Charge Disconnect"(Laden trennen)

Der Ausgang "Charge Disconnect" (Laden trennen) ist normalerweise auf HIGH und wird "free floating", wenn eine Zell-Überspannung oder -Übertemperatur unmittelbar bevorsteht. Maximaler Strom: 10mA.

Der Ausgang "Charge Disconnect" kann zur Steuerung folgender Funktionen verwendet werden:

- ferngesteuertes Ein-/Ausschalten eines Ladegerätes und/oder
- eines Cyrix-Li-Ladegerät-Relais und/oder
- eines Cyrix-Li-ct Batterie-Kopplers.

### LED Anzeigen

- Eingeschaltet (blau): die VE.Bus-Produkte sind eingeschaltet.
- Zelle>4V oder Temperatur (rot): Der Ausgang "Charge Disconnect" ist auf LOW, da eine Zellüberspannung oder Übertemperatur unmittelbar bevorsteht.
- Zelle >2,8V (blau): Ausgang "Load Disconnect" auf HIGH.  
Ausgang "Load Disconnect" ist auf LOW, wenn aus, aufgrund einer unmittelbar bevorstehenden Zell-Unterspannung (Vcell≤2,8V).

## 2. Sicherheitshinweise

Bei der Installation müssen die nationalen Sicherheitsbestimmungen bezüglich des Gehäuses, der Installation, des Kriechstroms, der Abstände, Verluste, Kennzeichnung und Trennung der Endverbraucher-Anwendung befolgt werden. Die Installation darf nur durch qualifiziertes und ausgebildetes Fachpersonal erfolgen. Schalten Sie zunächst das System ab und prüfen Sie es auf gefährliche Spannungen, bevor Sie irgendwelche Änderungen an den Anschlüssen vornehmen.

- Öffnen Sie nicht die Lithium-Ionen-Batterie.
- Entladen Sie eine neue Lithium-Ionen-Batterie erst, nachdem Sie sie voll aufgeladen haben.
- Halten Sie die festgelegten Ladebegrenzungen ein.
- Montieren Sie die Lithium-Ionen-Batterie nicht kopfüber.
- Überprüfen Sie die Lithium-Ionen-Batterie auf Transportschäden.

### 3. Bitte beachten Sie Folgendes

#### 3.1 Wichtiger Hinweis

Lithium-Ionen-Batterien sind teuer und können durch ein zu tiefes Entladen oder ein Überladen beschädigt werden. Eine Beschädigung durch ein zu tiefes Entladen kann vorkommen, wenn kleine Lasten (wie zum Beispiel: Alarmsysteme, Relais, der Standby-Strom bestimmter Lasten, der Rückstromfluss der Batterieladegeräte oder Laderegler) die Batterie langsam entladen, wenn das System nicht in Gebrauch ist.

Falls Sie sich bezüglich einer Reststromaufnahme unsicher sind, trennen Sie die Batterie durch Öffnen des Batterieschalters, Herausnehmen der Sicherung(en) oder Abtrennen des Batterie-Pluspols, wenn das System nicht in Gebrauch ist.

**Ein Entlade-Reststrom ist insbesondere dann gefährlich, wenn das System vollständig entladen wurde und es aufgrund einer niedrigen Zellspannung abgeschaltet wurde. Nach dem Abschalten aufgrund einer niedrigen Zellspannung verbleibt eine Reservekapazität von ungefähr 1Ah pro 100Ah Batteriekapazität in der Batterie. Die Batterie wird beschädigt, wenn die verbleibende Reservekapazität aus der Batterie entnommen wird. Ein Reststrom von 10mA zum Beispiel kann eine 200 Ah Batterie beschädigen, wenn das System über 8 Tage im entladenen Zustand belassen wird.**

#### 3.2 Der Lithium-Ionen-Software-Assistent "AC Detector" für MultiPlus und Quattro (Wird für MultiPlus-II Modelle nicht benötigt)

Der AC Detector ist eine kleine Zusatzeinrichtung, die in ein MultiPlus- oder Quattro-Gerät eingebaut werden kann, wenn dieses zusammen mit einer LiFePO<sub>4</sub>-Batterie und einem VE.Bus BMS verwendet wird. Mit jedem VE.Bus BMS wird ein AC Detector mitgeliefert.

Aufgabe des AC Detectors ist es, das MultiPlus- bzw. Quattro-Gerät neu zu starten, wenn eine Versorgung mit AC wieder verfügbar ist, nachdem es aufgrund einer zu niedrigen Zellenspannung durch das BMS ausgeschaltet wurde.

Ohne einen AC Detector würde sich das MultiPlus- bzw. Quattro-Gerät nicht wieder einschalten und die Batterie würde so nach einem, durch eine zu geringe Batteriespannung verursachten Abschalten nicht erneut mit dem Laden beginnen.

**Der AC Detector benötigt den Li-ion Software Assistenten oder den Eigenverbrauch ESS Assistenten, um wie gewünscht zu funktionieren.**

Wechselrichter (nur DC zu AC) mit VE.Bus lassen sich direkt an den MultiPlus/Quattro Eingang des BMS anschließen. Hierfür wird kein Detector bzw. Assistent benötigt.

#### 3.3 DC-Lasten mit Anschlüssen für ferngesteuertes Ein-/Ausschalten

DC-Lasten müssen im Falle einer unmittelbar bevorstehenden Zell-Unterspannung ausgeschaltet bzw. getrennt werden.

Für diesen Zwecke lässt sich der Ausgang "Load Disconnect" (Last trennen) des VE.Bus BMS verwenden.

Der Ausgang "Load Disconnect" ist normalerweise auf HIGH (ebenso wie die Batteriespannung) und wird "free floating" (= offener Stromkreis) im Fall einer bevorstehenden Unter-Spannung (kein interner "Pull-Down", um den Reststromverbrauch im Fall einer niedrigen Zellspannung zu begrenzen).

DC-Lasten mit einem Anschluss für ein ferngesteuertes Ein-/Ausschalten, der die Last einschaltet, wenn der Anschluss auf HIGH gesetzt wird (auf Batterie-Plus) und schaltet sie aus, wenn der Anschluss auf "free floating" gesetzt wird, lassen sich direkt über den Ausgang "Load Disconnect" steuern.

Im Anhang finden Sie eine Liste mit Victron-Produkten, die diese Eigenschaft besitzen.

Für DC-Lasten mit einem Anschluss für ferngesteuertes Ein-/Ausschalten, die die Last einschalten, wenn der Anschluss auf LOW gesetzt wird (auf Batterie-Minus) und sie ausschalten, wenn der Anschluss "free floating" gesetzt wird, kann das **invertierende Kabel für ferngesteuertes Ein-/Ausschalten** benutzt werden. Siehe Anhang

**Beachte: Bitte überprüfen Sie den Reststrom der Last, wenn sie ausgeschaltet ist. Nach dem Abschalten aufgrund einer niedrigen Zellspannung verbleibt eine Reservekapazität von ungefähr 1Ah pro 100Ah Batteriekapazität in der Batterie. Ein Reststrom von 10mA zum Beispiel kann eine 200Ah Batterie beschädigen, wenn das System über 8 Tage im entladenen Zustand belassen wird.**

#### 3.4 DC-Last: Trennen der Last mit einem BatteryProtect (nur für 12V und 24V verfügbar)

Ein BatteryProtect trennt in folgenden Fällen die Last:

- Eingangsspannung (= Batteriespannung) ist unter einen voreingestellten Wert abgefallen, oder
- der Anschluss für ein ferngesteuertes Ein-/Ausschalten ist auf LOW gesetzt worden. Das VE.Bus BMS kann zur Steuerung des Anschlusses für ein ferngesteuertes Ein-/Ausschalten verwendet werden (**es wird ein nicht invertierendes Kabel für das ferngesteuerte Ein-/Ausschalten benötigt**). Anders als bei einem Cyrix oder einem Schütz kann ein BatteryProtect eine Last mit einem großen Eingangs-Kondensator wie zum Beispiel einem Wechselrichter oder einem DC-DC Konverter starten.

#### 3.5 Laden von LiFePO<sub>4</sub> Batterien mit einem Batterie-Ladegerät

Das Laden der Batterie muss im Falle einer unmittelbar bevorstehenden Zell-Überspannung bzw. -Übertemperatur reduziert oder gestoppt werden.

Für diesen Zwecke lässt sich der Ausgang "Charge Disconnect" (Laden trennen) des VE.Bus BMS verwenden.

Der Ausgang "Charge Disconnect" ist normalerweise auf HIGH gesetzt (entspricht der Batterie-Spannung) und schaltet auf den Zustand "Offener Schaltkreis", falls es zu einer unmittelbar bevorstehenden Zell-Überspannung kommt.

Batterie-Ladegeräte mit einem Anschluss für ein ferngesteuertes Ein-/Ausschalten, der das Ladegerät aktiviert, wenn der Anschluss auf HIGH gesetzt wird (auf Batterie-Plus) und es ausschaltet, wenn der Anschluss auf "free floating" gesetzt wird, lassen sich direkt über den Ausgang "Charge Disconnect" steuern.

Im Anhang finden Sie eine Liste mit Victron-Produkten, die diese Eigenschaft besitzen.



Für Batterie-Ladegeräte mit einem Anschluss für ferngesteuertes Ein-/Ausschalten, der das Ladegerät einschaltet, wenn der Anschluss auf LOW gesetzt wird (auf Batterie-Minus) und es ausschaltet, wenn der Anschluss auf "free floating" belassen wird, kann das **invertierende Kabel für ferngesteuertes Ein-/Ausschalten** benutzt werden. Siehe Anhang

Alternativ kann ein **Cyrix-Li-Charge** verwendet werden:

Der Cyrix-Li-Charge ist ein einfachgerichteter Koppler, der zwischen ein Batterieladegerät und eine LiFePO<sub>4</sub>-Batterie zwischengeschaltet werden kann. Er schaltet sich nur ein, wenn die Ladespannung vom Batterieladegerät an seinem ladeseitigem Anschluss anliegt. Ein Bedienterminal verbindet ihn mit dem Anschluss "Charge Disconnect" des BMS.

### **3.6 Laden von LiFePO<sub>4</sub> Batterien mit einem Wechselstromgenerator**

Siehe Abbildung 6.

Der **Cyrix-Li-ct** wird für diese Anwendung empfohlen.

Der mikroprozessorgesteuerte Cyrix-Li-ct verfügt über einen Timer und eine Spannungstrenderkennung. Dadurch wird ein häufiges Umschalten wegen Spannungsabfall verhindert, wenn eine entladene Batterie angeschlossen wird.

EN

NL

FR

DE

SE

## 4. Installation

**4.1 AC Detector für MultiPlus- und Quattro-Geräte** (Jeder VE.Bus BMS ist mit einem AC-Detektor ausgeliefert). Wird für MultiPlus-II Modelle nicht benötigt.

Aufgabe des AC Detectors ist es, den MultiPlus bzw. das Quattro neu zu starten, wenn eine Versorgung mit AC wieder verfügbar ist, nachdem sie aufgrund einer zu niedrigen Zellenspannung durch das BMS ausgeschaltet wurde (damit die Batterie wieder geladen werden kann).

Anmerkung 1: Der AC Detector ist im Falle eines Wechselrichters nicht notwendig.

Anmerkung 2: In Systemen, die aus mehreren Geräten bestehen, die für den Parallel-, Drei-Phasen- oder Spalt-Phasen-Betrieb konfiguriert sind, darf der AC Detector **nur** mit dem Master- bzw. Leitgerät verbunden sein.

Anmerkung 3: Der VE.Bus BMS Assistent bzw. der Eigenverbrauch ESS-Assistent auf **allen** Geräten geladen werden.

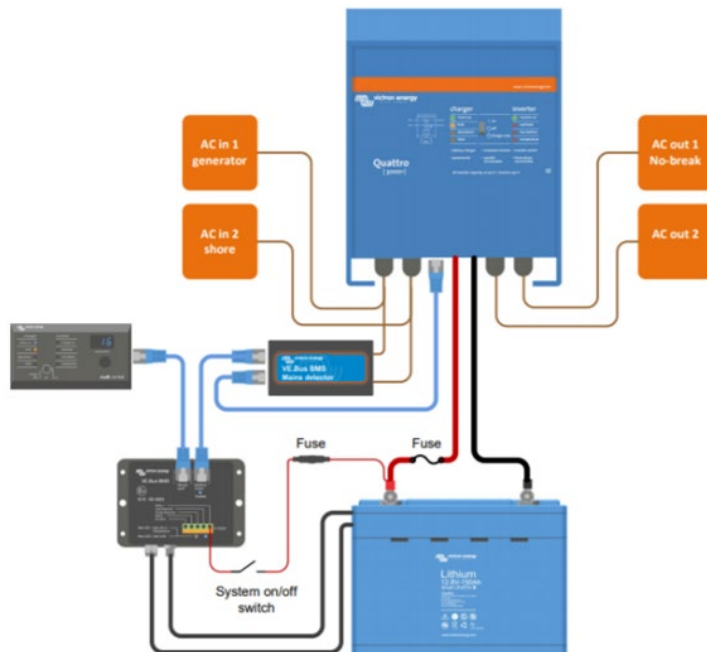


Abbildung 1: Blockdiagramm mit einem AC Detector in einem Quattro

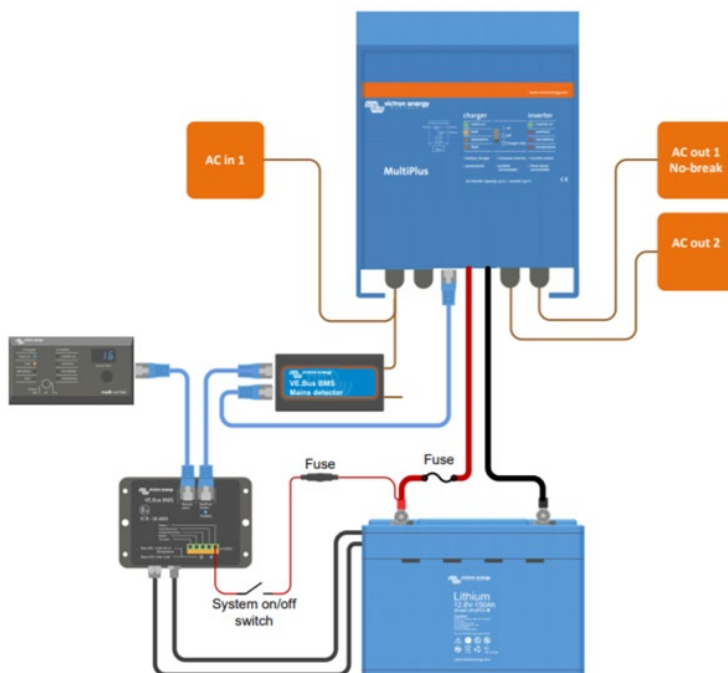


Abbildung 2: Blockdiagramm mit einem AC Detector in einem MultiPlus

### Installationsverfahren (siehe Abbildung 3)

- Verbinden Sie die braunen und blauen Eingangsleitungen mit dem Null-Leiter und der Phase des AC-in-1 Eingangs.
- Quattro: Verbinden Sie die braunen und blauen Ausgangsleitungen mit dem Null-Leiter und der Phase des AC-in-2 Eingangs.
- MultiPlus: Kein AC-in-2 Eingang verfügbar. Bitte schneiden Sie die AC2 Leitungen dicht am AC Detector ab.

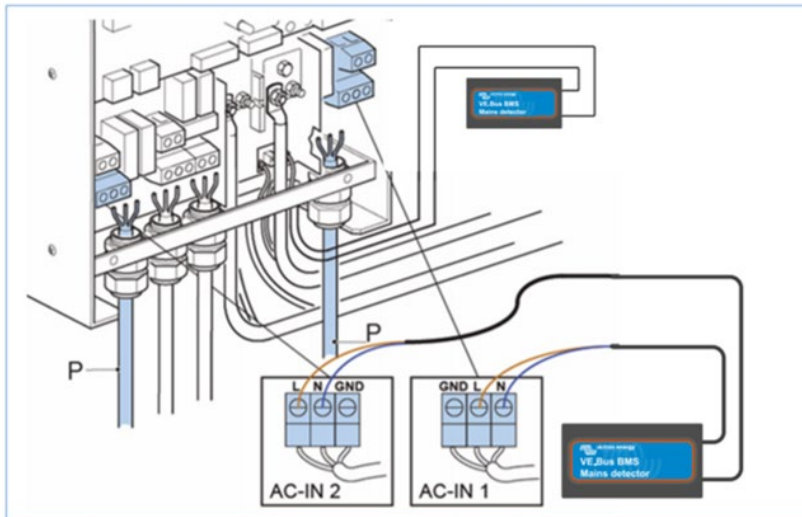


Abbildung 3: Anschließen des AC Detectors

- Verwenden Sie das kurze RJ45 UTP-Kabel, um den AC Detector mit einer der beiden VE.Bus Buchsen am Multiplus bzw. am Quattro zu verbinden (siehe Abbildung 4).
- Verbinden Sie das VE.Bus BMS mit dem AC Detector über ein UTP-Kabel (nicht mitgeliefert).
- An das VE.Bus BMS muss ein digitales Multi Control-Panel angeschlossen werden. **Verbinden Sie ein Digitales Multi Control-Panel nicht direkt mit einem Multi- bzw. Quattro-Gerät** (Zwischen den Signalen vom Bedienpanel und den Signalen vom VE.Bus BMS können Interferenzen auftreten).
- Das ColorControl-Bedienpanel muss direkt an den Multi oder Quattro angeschlossen werden.

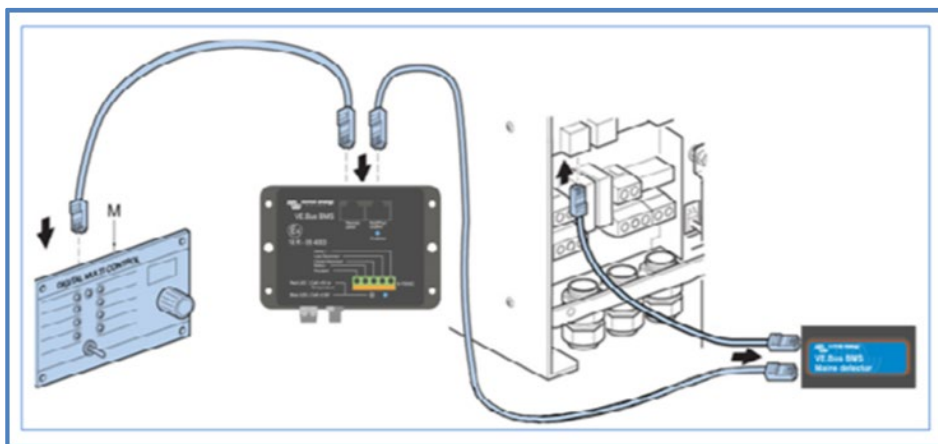


Abbildung 4: VE.Bus-Anschlüsse

#### 4.2 Verkabelung des Systems: Siehe System-Beispiel unten

**Jetzt noch nicht mit dem Batterie-Plus verbinden** (alternativ: setzen Sie die Batterie-Sicherung(en) jetzt noch nicht ein).

##### Wichtiger Hinweis:

1. Das UTP-Kabel zum Wechselrichter bzw. Wechselrichter-/Ladegerät verbindet auch den Minuspol der Batterie mit dem BMS.  
Ist dies der Fall, verkabelnd Sie den Batterie-Minus-Stecker des BMS nicht, um Erdfehlerschleifen zu vermeiden.
2. Verbinden Sie den Plus-Versorgungseingang des VE.Bus BMS mit dem Plus des Systems. Ein System Ein-/Aus-Schalter an der positiven Versorgungsleitung schaltet das System ab, wenn er geöffnet wird.

### 4.3 Batterie

Falls mehrere Batterien parallel oder in Reihe geschaltet sind, müssen die beiden M8 Rundstecker-Kabelsets jeder der Batterien in Reihe (verkettet) angeschlossen werden.  
Verbinden Sie die beiden übrigen Kabel mit dem BMS.

### 4.4 Einschalten

Im Falle eines reinen DC-Systems: Verbinden Sie den Pluspol der Batterie. Das System ist nun einsatzbereit.

Im Falle eines Systems mit Multis, Quattros oder Wechselrichter mit VE.Bus:

4.4.1. Nach Abschluss der Installation, trennen Sie das BMS vom VE. Bus und ersetzen sie es durch ein Victron Interface MK2 und einen Computer.

4.4.2. Verbinden Sie den Pluspol der Batterie.

4.4.2. Konfigurieren Sie das (die) Wechselrichter-/Ladegerät(e) bzw den (die) Wechselrichter für eine Parallel- oder Drei-Phasen-Schaltung, sofern zutreffend.

Wechselrichter-/Ladegeräte: Der AC Detector sollte nur am Master- bzw. Leit-Gerät eines parallelgeschalteten bzw. eines Drei-Phasen-Systems installiert werden.

Wechselrichter: AC Detector wird nicht benötigt.

4.4.3. Laden Sie den BMS VE.Bus Assistenten oder einen ESS-Assistenten auf alle Geräte (muss für jedes Gerät einzeln erfolgen).

4.4.4. Entfernen Sie das MK2 und verbinden Sie es wieder mit dem BMS.

4.4.5. Das System ist nun einsatzbereit.

## 5. Systembeispiele

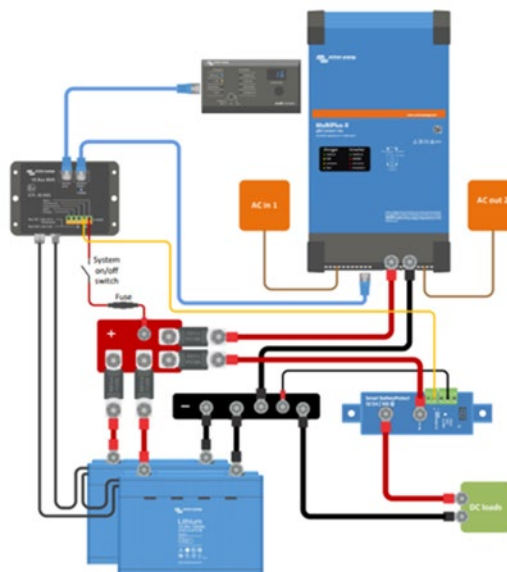


Abbildung 5: System mit MultiPlus-II- und DC-Lasten

Beachte: Das BMS wird mit dem Batterie-Minuspol durch das UTP-Kabel zwischen dem BMS und dem Wechselrichter-Ladegerät verbunden. Verbinden Sie, um Erdfehlerschleifen zu vermeiden, den BMS Minus-Stecker nicht.

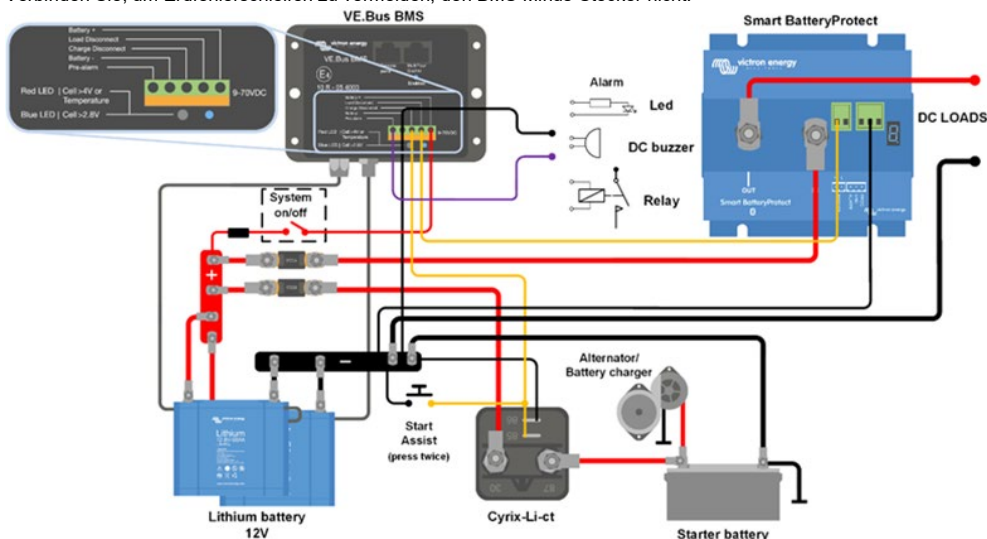


Abbildung 6: Ein reines DC-System für ein Boot oder Fahrzeug mit Parallel-Anschluss der Starter- und Lithium-Ionen-Batterie  
Beachte: in diesem Fall muss der Batterie-Minuspol des BMS verbunden sein.

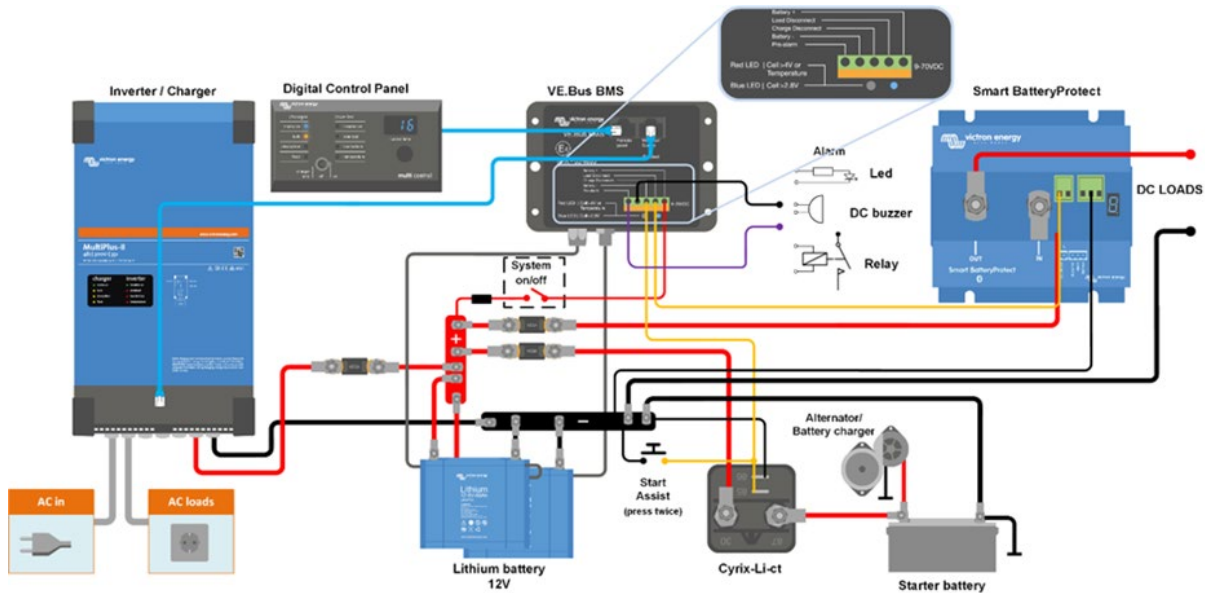


Abbildung 7: System für ein Boot oder Fahrzeug mit einem MultiPlus-II-Wechselrichter/Batterielader  
 Beachte: Das BMS wird mit dem Batterie-Minuspol durch das UTP-Kabel zwischen dem BMS und dem Wechselrichter-Ladegerät verbunden.  
 Verbinden Sie, um Erdfehlerschleifen zu vermeiden, den BMS Minus-Stecker nicht.

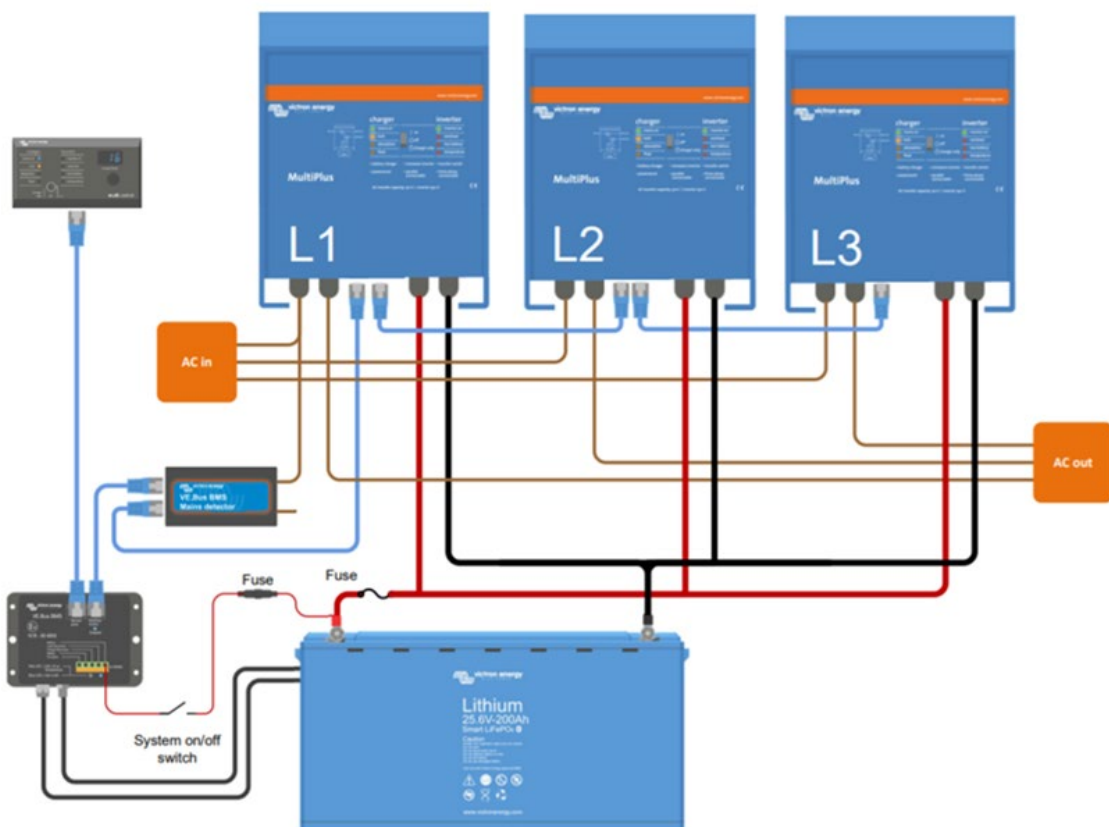


Abbildung 8: Systembeispiel für ein Boot oder Fahrzeug mit einer Drei-Phasen-Konfiguration des Wechselrichter/Ladegeräts  
 (DC-Sicherung nicht angezeigt, nur die Lithium-Ionen-Batterie-Sicherung).

Anmerkung 1: Der AC Detector wird nur beim Leit-Gerät installiert.

Anmerkung 2: Das BMS wird mit dem Batterie-Minuspol durch das UTP-Kabel zwischen dem BMS und dem Wechselrichter-Ladegerät verbunden.

Verbinden Sie, um Erdfehlerschleifen zu vermeiden, den BMS Minus-Stecker nicht.

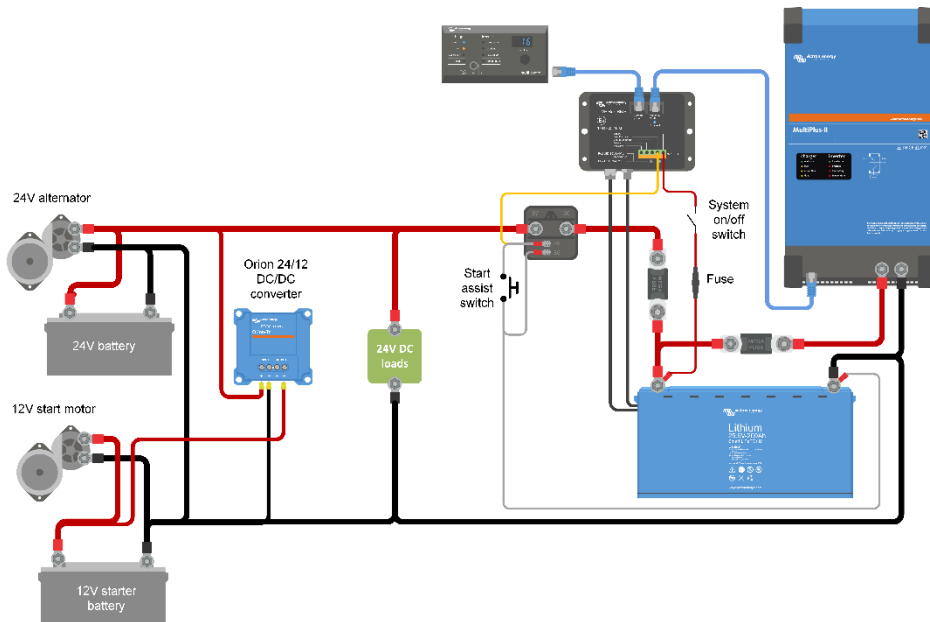


Abbildung 9: Systembeispiel für ein Boot oder Fahrzeug mit einem 24 V Lithium-Ionen-System, einem 24 V Wechselstromgenerator und einer 12 V Starter-Batterie.  
 Zum Laden der Starter-Batterie: Verwenden Sie einen DC-DC-Konverter oder ein kleines Batterie-Ladegerät, das mit dem Multi bzw. Quattro verbunden ist.  
 Wechselstromgeneratoren, die DC-Spannung am B+ Ausgang benötigen, um den Ladevorgang zu starten, lassen sich durch Betätigen des StartAssist Druckknopfes starten, wenn der Motor erst mal in Betrieb ist.  
 Anmerkung: Das BMS wird mit dem Batterie-Minuspol durch das UTP-Kabel zwischen dem BMS und dem Wechselrichter-Ladegerät verbunden.  
 Verbinden Sie, um Erdfehlerschleifen zu vermeiden, den BMS Minus-Stecker nicht.

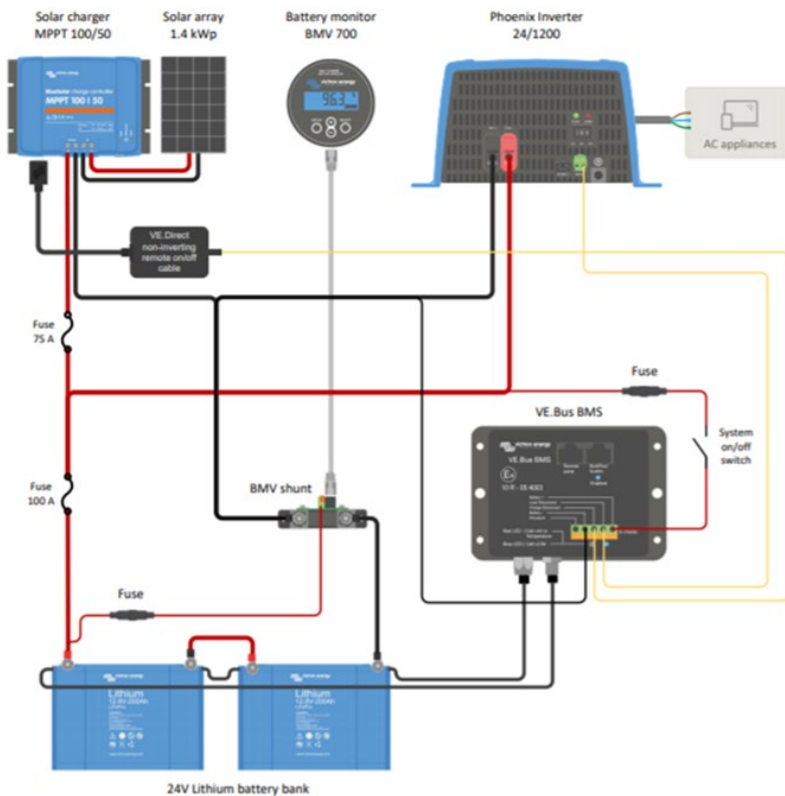


Abbildung 10: Solaranwendung mit einem MPPT mit VE.Direct-Anschluss und einem Phoenix-Wechselrichter 24/1200 VE.Direct.

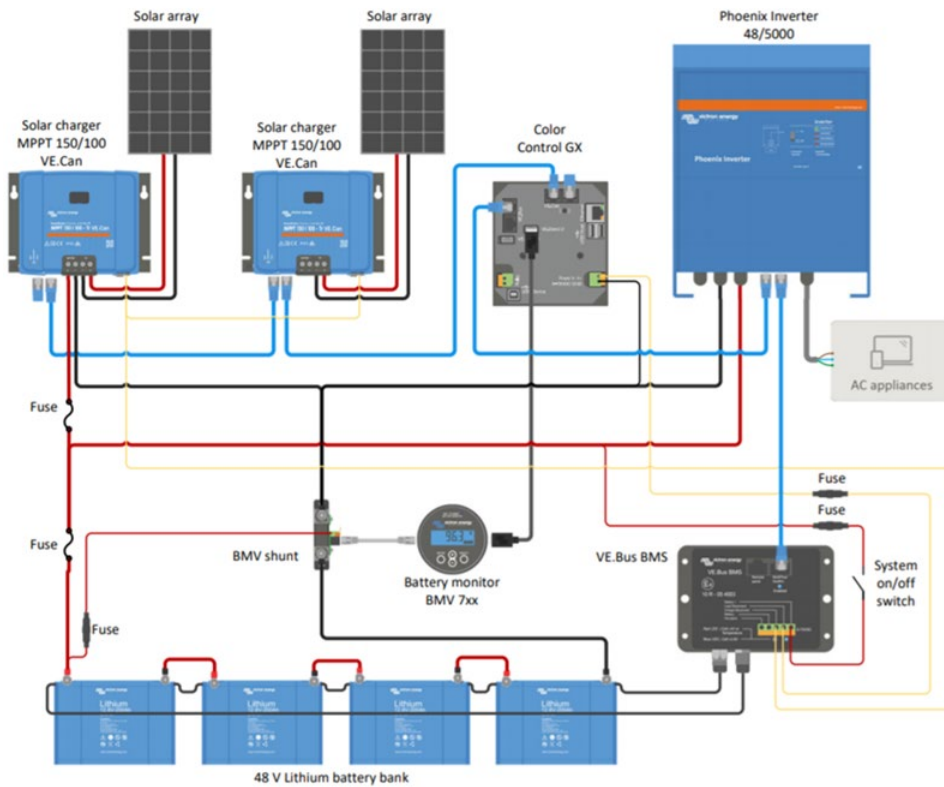
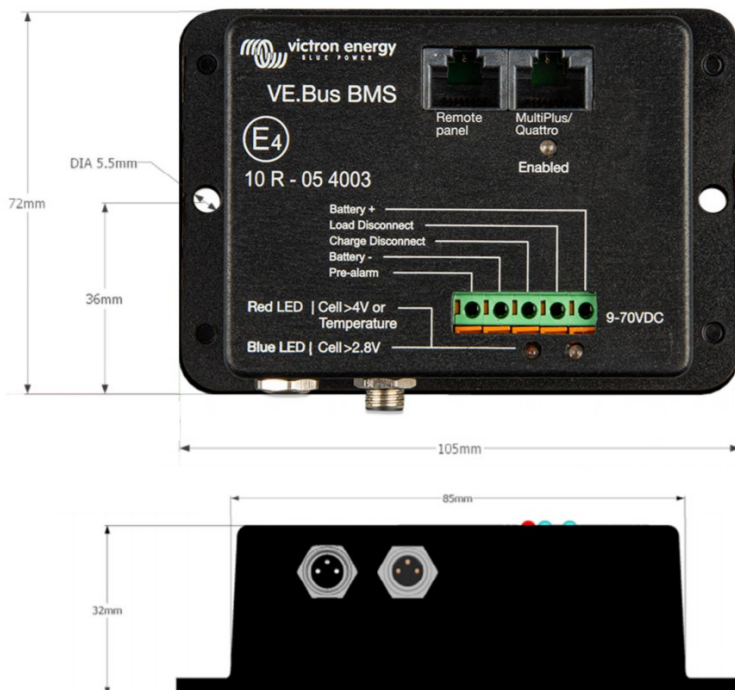


Abbildung 11: Solaranwendung mit zwei MPPT 150/100-Tr VE.Can

Anmerkung: Das BMS wird mit dem Batterie-Minuspol durch das UTP-Kabel zwischen dem BMS und dem Wechselrichter-Ladegerät verbunden. Verbinden Sie, um Erdfehlerschleifen zu vermeiden, den BMS Minus-Stecker nicht.

## 6. Maße



## 7. Häufig gestellte Fragen

### Frage 1: Ich habe das VE.Bus BMS abgetrennt und jetzt schaltet sich mein Multi- oder Quattro nicht ein, wieso?

Ein Multi- bzw. Quattro-Gerät, das mit dem VE.Bus BMS-Assistenten programmiert ist und das das VE.Bus BMS im Bus nicht finden kann, schaltet sich automatisch in den Notbetrieb. In diesem Modus lädt das Gerät die Batterien mit maximal 5 Ampere bis auf 12V, 24V oder 48V, je nach Systemspannung. Bitte beachten Sie, dass in diesem Modus nur die "Netz ein" LED leuchtet. Wenn Sie den AC Eingang vom Multi/Quattro trennen, schaltet er sich aus. Das Wechselrichten wird nicht begonnen, da keine Bestätigung bezüglich des Zustands der Batterie vom VE.Bus BMS eingeholt werden kann.

Bitte beachten Sie, dass die Quattros, wenn die Batterien leer oder getrennt sind, über den AC Eingang 1 mit Strom versorgt werden müssen. Das Versorgen des AC Eingangs 2 mit Strom veranlasst den Quattro nicht dazu, sich einzuschalten und mit dem Ladevorgang zu beginnen.

### Frage 2: Die Batterien sind leer und das Multi-/Quattro-Gerät beginnt nicht mit dem Laden. Wie bekomme ich das System wieder zum Laufen?

Wenn Lithium-Batterien erschöpft sind (die Spannung liegt bei rund 9V oder sogar noch niedriger) kann es sein, dass die Batteriespannung unter dem Betriebsbereich des VE.Bus BMS liegt. In diesem Fall kann das VE.Bus BMS das Multi-/Quattro-Gerät nicht starten, selbst, wenn ein AC Detector installiert ist. Um das System erneut zu starten, trennen Sie das VE.Bus BMS vom Multi und beachten Sie Frage 1. Bedenken Sie, dass es notwendig sein kann, sämtliche Blue Power Paneele, NMEA2000 Schnittstellen oder andere ähnlichen intelligenten Geräte zu trennen. Solange sie nicht selbst eingeschaltet sind, können sie das Einschalten des Multi-/Quattro-Geräts verhindern.

Eine einfachere Möglichkeit, um ein erschöpftes System zu überprüfen könnte darin bestehen, ein kleines Batterie-Ladegerät anzuschließen, zum Beispiel mit 5 Ampere. Warten Sie, bis die Batteriespannung wieder bei 12 Volt liegt.

### Frage 3: Was passiert mit dem Multi-/Quattro-Gerät, wenn das BMS "Zellspannung gering" signalisiert?

Das Multi-/Quattro-Gerät befindet sich im Modus "nur Ladegerät": Liegt AC an, wird es die Batterien laden. Ist kein AC Eingang vorhanden, schaltet es sich ab.

### Frage 4: Was passiert mit dem Multi-/Quattro-Gerät, wenn das BMS "Zellspannung hoch" signalisiert?

Das Signal "Zellspannung hoch" wird nur angezeigt, wenn Zellen unausgeglichen sind. Das Multi-/Quattro-Gerät schaltet in die Konstantstromphase und beginnt, mit einem reduzierten Ladestrom zu laden. Dadurch wird dem Ausgleichssystem ermöglicht, die Zellen wieder auszugleichen.



## 8. Technische Daten

EN

NL

FR

DE

SE

<b>VE.Bus BMS</b>	
Eingangsspannungsbereich	9 – 70VDC
Stromaufnahme, Normalbetrieb	10mA (Strom für "Load Disconnect" nicht eingeschlossen)
Stromaufnahme; geringe Zellspannung	2mA
Ausgang "Load Disconnect"	Normal HIGH (Ausgangsspannung = Versorgungsspannung – 1V) "Floating", wenn die Last getrennt werden muss Quellstrombegrenzung: 2A Senkstrom: 0A
Ausgang "Charge Disonnect"	Normal HIGH (Ausgangsspannung = Versorgungsspannung – 1V) "Floating" wenn Ladegerät getrennt werden sollte Quellstrombegrenzung: 10mA Senkstrom: 0A
<b>ALLGEMEINES</b>	
VE.Bus-Schnittstelle	Zwei RJ45 Buchsen zum Anschluss an alle VE.Bus Produkte
Betriebstemperatur	-20 bis +50°C 0 - 120°F
Feuchte	max. 95% (nicht kondensierend)
Schutzklasse	IP20
<b>GEHÄUSE</b>	
Material und Farbe	ABS, schwarz, matt
Gewicht	0,1kg
Abmessungen (hxbxt)	105 x 78 x 32mm
<b>NORMEN</b>	
Normen: Sicherheit	EN 60950
Emission	EN 61000-6-3, EN 55014-1
Störfestigkeit	EN 61000-6-2, EN 61000-6-1, EN 55014-2
Automobil-Richtlinie	EN 50498

<b>Cyrix Li-ion ct</b> (siehe auch das Datenblatt des Cyrix Li-ion für weitere Info.)	12/24-120	24/48-120
Dauerstrom	120A	
Spannung anschließen	Von 13,7V bis 13,9V und 27,4V bis 27,8V mit intelligenter Trenderkennung	
Spannung unterbrechen	Von 13,2V bis 13,4V und 26,4V bis 26,8V mit intelligenter Trenderkennung	
Start-Hilfe	Ja (Der Cyrix bleibt 15 Sekunden lang eingeschaltet, nachdem der Steuerungseingang zweimal auf Batterie- Minus gezogen wurde).	
<b>Cyrix Li-ion Load</b>	12/24-120	24/48-120

Bitte verwenden Sie eine Battery Protect: viel geringeren Stromverbrauch

<b>Cyrix Li-ion Charge</b>	12/24-120	24/48-120
Dauerstrom	120A	120A
Spannung anschließen	Schaltet sich ein, wenn die Spannung ladegerätseitig 13,7V bis 13,9V und 27,4V bis 27,8V mit intelligenter Trenderkennung übersteigt.	Schaltet sich ein, wenn die Spannung ladegerätseitig 27,4V to 27,8V und 54,8V bis 55,6V mit intelligenter Trenderkennung übersteigt.
Spannung unterbrechen	Von 13,2V bis 13,4V und 26,4V bis 26,8V mit intelligenter Trenderkennung	Von 26,4V bis 26,8V und 52,8V bis 53,6V mit intelligenter Trenderkennung
Erkennung "Ladevorgang nicht aktiv"	Der Cyrix trennt sich jede Stunde und bleibt im Falle einer geringen Spannung auf der Ladegerätseite offen.	
<b>Allgemeines</b>	12/24-120	24/48-120
Überspannung unterbrechen	16V/32V	32/64V
Übertemperatur unterbrechen	Ja	
Stromaufnahme wenn offen	< 4 mA	
Stromaufnahme wenn geschlossen	<220mA / < 110mA	< 110mA / <60mA
Betriebstemperaturbereich	-20 bis +50°C	
Schutzklasse	IP54	
Gewicht kg (lbs)	0,11 (0.24)	
Maße H x B x T in mm	46 x 46 x 80	
(H x B x T in Zoll)	(1,8 x 1,8 x 3,2)	



DE

## Anhang:

**Lasten, die sich direkt über den Ausgang "Load Disconnect" (Last abtrennen) des BMS bedienen lassen**

### Wechselrichter:

Alle Phoenix Wechselrichter VE.Direct 250/375/500/800/1200

Phoenix 12/800      Phoenix 24/800

Phoenix 12/1200    Phoenix 24/1200

Phoenix 48/800     Phoenix 48/1200

### DC-DC Konverter:

Alle Tr Typ DC-DC Konverter

Orion 12/24-20

Orion 24/12-25

Orion 24/12-40

Orion 24/12-70

**Lasten, für die ein invertierendes Kabel für das ferngesteuerte Ein-/Ausschalten benötigt wird**

(Artikelnummer ASS030550100)

### Wechselrichter:

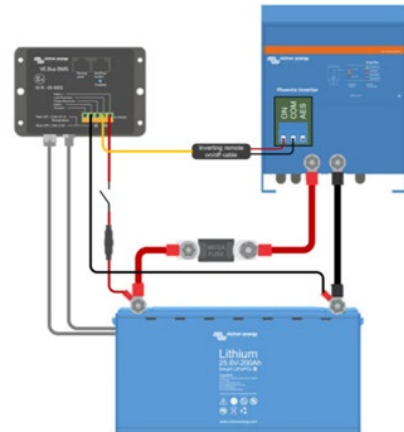
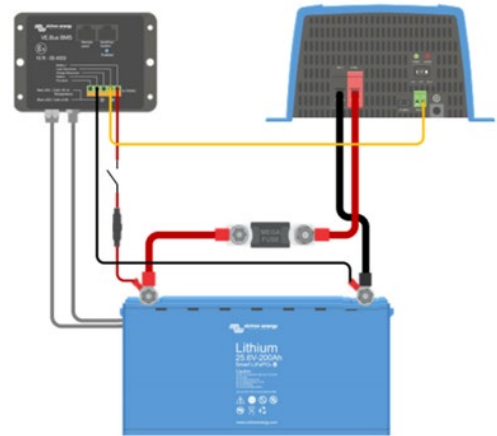
Phoenix 12/180

Phoenix 24/180

Phoenix 12/350

Phoenix 24/350

Alle Phoenix-Wechselrichter mit einer Nennleistung von 3 kVA oder mehr



**Schalter zum Trennen der Last für den ein nicht invertierendes Kable zum ferngesteuerten Ein-/Ausschalten benötigt wird**

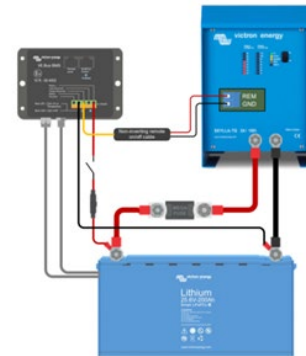
(Artikelnummer ASS030550200)

BatteryProtect BP-40i

BatteryProtect BP-60i

BatteryProtect BP-200i

(Nicht invertierendes Kable zum ferngesteuerten Ein-/Ausschalten **nicht** benötigt für die neueren Modelle BP-50, BP-60, BP-100, BP-220 und BP 48V-100A)

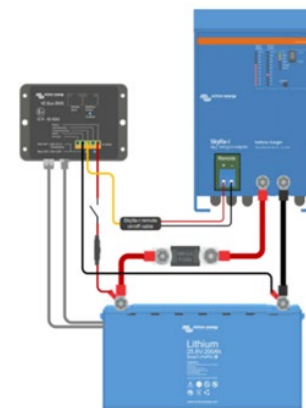


**Für Skylla TG Batterie-Ladegeräte wird ein nicht invertierendes Kable zum ferngesteuerten Ein-/Ausschalten benötigt.**

(Artikelnummer ASS030550200)

**Für Skylla-i Batterie-Ladegeräte wird ein Skylla-i Kable zum ferngesteuerten Ein- und Ausschalten benötigt.**

(Artikelnummer ASS030550400)



## 1. Allmän beskrivning

### Skyddar varje individuell cell i ett Victron litiumjärnfosfatbatteri (LiFePO<sub>4</sub>).

Varje individuell cell i ett LiFePO<sub>4</sub>-batteri måste skyddas mot över- och underspänning samt mot övertemperatur.

Victrons LiFePO<sub>4</sub>-batterier har en inbyggd kontroll för balans, temperatur och spänning (akronym BTM) och kopplas till VE.Bus BMS med två runda M8 anslutningsset.

BTM-kontrollerna på flera batterier kan kedjekopplas. Vänligen läs beskrivningen för LiFePO<sub>4</sub> batterier för mer detaljer.

BMS kommer att:

- stänga ner eller koppla bort belastningar om det finns risk för cellunderspänning.
- minska laddningsströmmen om det finns en förestående risk för cellöverspänning eller övertemperatur (VE.Bus-produkter, se nedan) och
- stänga ner eller koppla bort batteriladdare om det finns en förestående risk för cellöverspänning eller övertemperatur.

### Skyddar 12V och 48V system

BMS driftspänningsområde: 9 till 70V DC.

### Kommunicerar med alla VE.Bus-produkter

VE.Bus BMS kan anslutas till en MultiPlus, Quattro eller Phoenix växelriktare med en standard RJ45 UTP-kabel.

Produkter utan VE.Bus kan kontrolleras så som visas nedan:

**OBS: AC-detektor för MultiPlus och Quattro (ingår i VE.BUS BMS vid leverans) krävs inte för MultiPlus-II-modeller.**

### Belastningsfrånkoppling

Utgången för belastningsfrånkoppling är oftast hög och den flyter fritt om det finns en förestående risk för cellunderspänning.

Maximal ström: 2 A.

Utgången för belastningsfrånkoppling kan användas för att kontrollera funktionerna för

- fjärrstyrd av/påslagning av en belastning, och/eller
- fjärrstyrd av/påslagning av en elektronisk belastning (BatteryProtect, föredragen lösning för lågenergiförbrukning).

### Förlarm

Utgången till förlarmet flyter vanligtvis fritt och ökar i händelse av nära förestående cellunderspänning (standard 3,1 V/cell, kan justeras på batteriet mellan 2,85 V och 3,15 V per cell). Maximal ström: 1 A (ej kortslutningsskyddad)

Den kortaste fördröjningen mellan förlarm och belastningsfrånkoppling är 30 sekunder.

### Laddningsfrånkoppling

Utgången för laddningsfrånkoppling är oftast hög och den flyter fritt om det finns en förestående risk för cellöverspänning eller övertemperatur. Maximal ström: 10 mA.

Utgången för laddningsfrånkoppling kan användas för att kontrollera funktionerna för

- fjärrstyrd av/påslagning av en laddare, och/eller
- ett Cyrix-Li-Charge-relä och/eller
- en Cyrix-Li-ct Batterikombinerare.

### LED-indikatorer

- På (blå): VE.Bus-produkterna är påslagna.
- Cell>4 V eller temperatur (röd): utgången för laddningsfrånkoppling är låg på grund av en förestående risk för cellöverspänning eller övertemperatur.
- Cell>2,8 V (blå): utgången för belastningsfrånkoppling är hög.  
Utgången för belastningsfrånkoppling är låg när den är avstängd, pga nära förestående cellunderspänning ( $V_{cell} \leq 2,8$  V).

## 2. Säkerhetsinstruktioner

Installationen måste strikt följa de nationella säkerhetsföreskrifterna i enlighet med kapsling, installation, kryp- och luftavstånd, olycksfall, märkningar och segregationskrav i slutanvändningsprogrammet. Installationen får endast utföras av kvalificerade och utbildade installatörer. Stäng av systemet och kontrollera om det förekommer farlig spänning innan någon koppling ändras.

- Öppna inte litiumjonbatteriet.
- Ladda inte ur ett nytt litiumjonbatteri innan det har laddats upp fullt en gång först.
- Ladda endast inom fastställda gränser.
- Montera inte litiumjonbatteriet upp och ned.
- Kontrollera om litiumjonbatteriet har skadats under transporten.

## 3. Saker att ha i åtanke

### 3.1 Viktig varning

Litiumjonbatterier är dyrbara och kan förstöras på grund av för hög urladdning eller överladdning.

Skador på grund av urladdning kan inträffa om mindre belastningar (som: larmsystem, reläer, standby ström för vissa belastningar, backström från batteriladdare eller laddningsregulatorer) långsamt laddar ur batteriet när systemet inte används.

Vid tveksamhet om eventuell restförbrukning av ström, isolera batteriet genom att öppna batteribrytaren, dra ut batterisäkring/säkringarna eller koppla bort batteriets positiva kabel när systemet inte används.

**En restförbrukning är särskilt farlig om systemet har varit helt urladdat och en avstängning på grund av låg cellspänning har ägt rum. Efter avstängning på grund av låg cellspänning, finns en kapacitetsreserv på ca 1 Ah per 100 Ah batterikapacitet kvar i batteriet. Batteriet kommer att skadas om den återstående kapacitetsreserven dras ur batteriet. En restström på exempelvis 10 mA kan skada ett 200 Ah-batteri om systemet lämnas i urladdat skick under längre tid än 8 dagar,**

### 3.2 AC-detektor litiumjonprogramvaruassistent för MultiPlus och Quattro (krävs ej för MultiPlus-II-modeller)

AC-detektorn är en liten tilläggsdel som kan byggas in i en MultiPlus eller en Quattro när den används tillsammans med ett LiFePO<sub>4</sub>-batteri och en VE.Bus BMS. Alla VE.Bus BMS levereras med en AC-detektor.

Syftet med en AC-detektor är att starta om MultiPlus eller Quattro när AC-försörjningen blir tillgänglig, om den har kopplats från av BMS på grund av låg cellspänning.

Utan AC-detektorn skulle MultiPlus eller Quattro fortsätta att vara avstängd och skulle därmed inte börja att ladda upp batterierna efter en fränkoppling på grund av låg batterispänning.

### AC-detektorn kräver en litiumjonprogramvaruassistent eller en självkonsumtionsassistent ESS för att fungera korrekt.

Växelriktare (endast DC till AC) med VE.Bus kan kopplas direkt till ingången för MultiPlus/Quattro på BMS, ingen AC-detektor eller assistent krävs.

### 3.3 DC-belastningar med fjärrstyrda av/på-terminaler

DC-belastningar måste stängas av eller kopplas bort i händelse av en nära förestående cellunderspänning.

Utgången för belastningsfränkoppling på VE.Bus BMS kan användas i detta avseende.

Utgången för belastningsfränkoppling är normalt högt (samma som batterispänningen) och flyter fritt (= öppen krets) i händelse av nära förestående cellunderspänning (ingen intern neddragning för att begränsa förbrukningen av restström vid låg cellspänning).

DC-belastningar med en fjärrstyrd av-och-på terminal som aktiverar belastningen när terminalen dras upp (till batteriplus) och som stängs av när terminalen lämnas att flyta fritt, kan kontrolleras direkt från utgången för laddningsfränkoppling. Se bilagan för en lista över Victron-produkter med den här funktionen.

För DC-belastningar med en fjärrstyrd av-och-på-terminal som aktiverar belastningen när terminalen dras ned (till batteriminus) och som stängs av när terminalen flyter fritt, kan den **inverterande av/på-fjärrkabeln** användas. Se bilaga.

**Obs: kontrollera restströmmen på belastningen när den är i avstängt läge. Efter avstängning på grund av låg cellspänning, finns en kapacitetsreserv på ca 1 Ah per 100 AH batterikapacitet kvar i ett litiumjonbatteri. En restström på exempelvis 10 mA kan skada ett 200 Ah-batteri om systemet lämnas i urladdat skick under längre tid än 8 dagar,**

### 3.4 DC-belastningar: fränkoppling av belastning med en BatteryProtect

En BatteryProtect kopplar bort belastningen när:

- Ingångsspänningen (= batterispänning) har sjunkit under ett förinställt värde, eller när
- den fjärrstyrda av-på-terminalen har dragits ned. VE.BUS BMS kan användas för att styra den fjärrstyrda av-på-terminalen.

Till skillnad mot en Cyrix eller ett kontaktdon kan en BatteryProtect starta en belastning med en stor ingångskondensator som en växelriktare eller en DC-DC-omvandlare.

### 3.5 Ladda LiFePO<sub>4</sub>-batteri med en batteriladdare

Batteriladdningen måste minskas eller stoppas i händelse av en nära förestående cellöverspänning eller övertemperatur.

Laddningsfränkopplingen på VE.Bus BMS kan användas i detta avseende.

Laddningsfränkopplingen är vanligtvis hög (lika med batterispänningen) och den ändras till öppet kretsäge i händelse av en nära förestående cellöverspänning.

Batteriladdare med en fjärrstyrd av-och-på terminal som aktiverar laddaren när terminalen dras upp (till batteriplus) och som stängs av när terminalen lämnas att flyta fritt, kan kontrolleras direkt från utgången för laddningsfränkoppling. Se bilagan för en lista över Victron-produkter med den här funktionen.

För batteriladdare med en fjärrstyrd av-och-på terminal som aktiverar laddaren när terminalen dras ned (till batteriminus) och som stängs av när terminalen lämnas att flyta fritt, kan den **inverterande av/på-fjärrkabeln** användas. Se bilaga.

Alternativt kan en **Cyrix-Li-Charge** användas:

Cyrix-Li-Charge är en envägskombinerare som förs in mellan en batteriladdare och LiFePO<sub>4</sub>-batteri. Det aktiveras endast när det förekommer laddningsspänning från en batteriladdare på terminalen på laddsidan. En styrterminal kopplas till laddningsfränkopplingen på BMS.

### 3.6 Ladda LiFePO<sub>4</sub>-batteri med en växelströmgenerator

Se bild 6.

**Cyrix-Li-ct** rekommenderas för denna användning.

Den mikroprocessorstyrd Cyrix-Li-ct medför en timer och detekterar spänningstrenden. Detta förhindrar tät växling på grund av systemspänningsbortfall när man kopplar den till ett urladdat batteri.

## 4. Installation

### 4.1 AC-detektor för MultiPlus och Quattro (ingår i VE.Bus BMS vid leverans). **Krävs ej för MultiPlus-II-modeller.**

Syftet med en AC-detektor är att starta om MultiPlus eller Quattro när AC-försörjningen blir tillgänglig, om den har kopplats från av BMS på grund av låg cellspänning (så att den kan återuppladda batteriet).

Anm. 1: AC-detektorn är inte nödvändig för en växelriktare.

Anm. 2: I system som består av flera enheter som är konfigurerade för parallell-, trefas eller delad fasdrift. AC-detektorn ska **endast** kopplas till master- eller ledarenheten.

Anm. 3: VE-Bus BMS-assistenten eller självkonsumtions ESS-assistenten måste laddas i **alla** enheter.

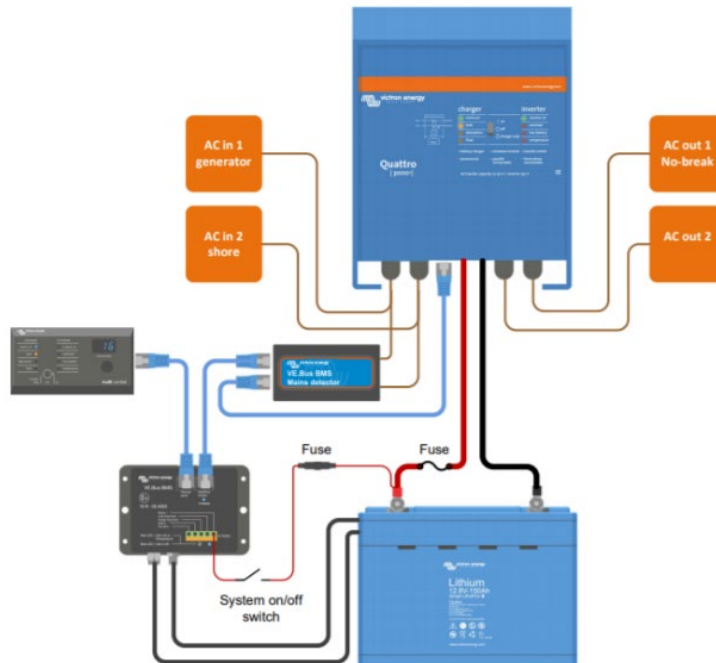


Bild 1: Blockdiagram med AC-detektor i en Quattro

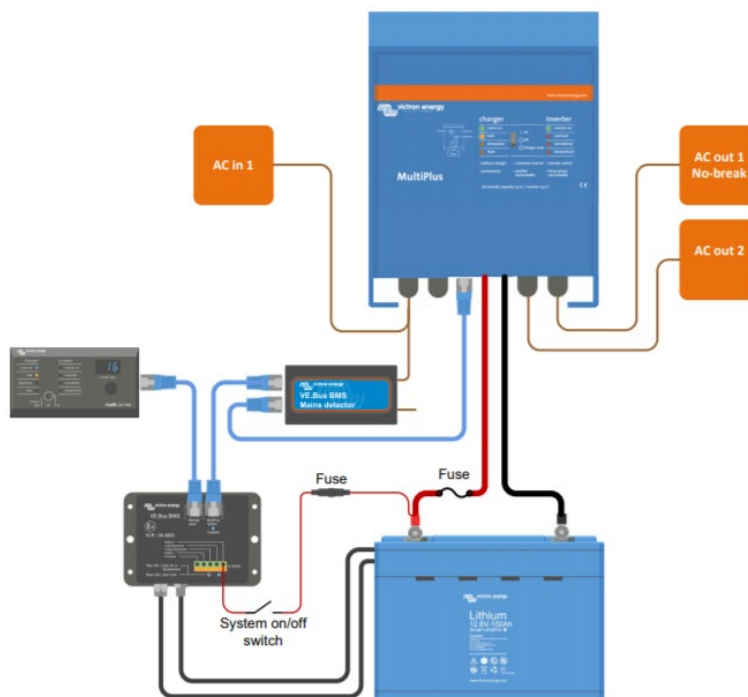


Bild 2: Blockdiagram med AC-detektor i en MultiPlus

### Installationsprocess (se bild 3)

7. Koppla de bruna och blåa ingångskablarna till neutral och fas på AC-in-1-ingången.
8. Quattro: koppla de bruna och blåa utgångskablarna till neutral och fas på AC-in-2 -ingången.  
MultiPlus: ingen AC-in-2-ingång tillgänglig. Klipp AC2-kablarna nära AC-detektorn.

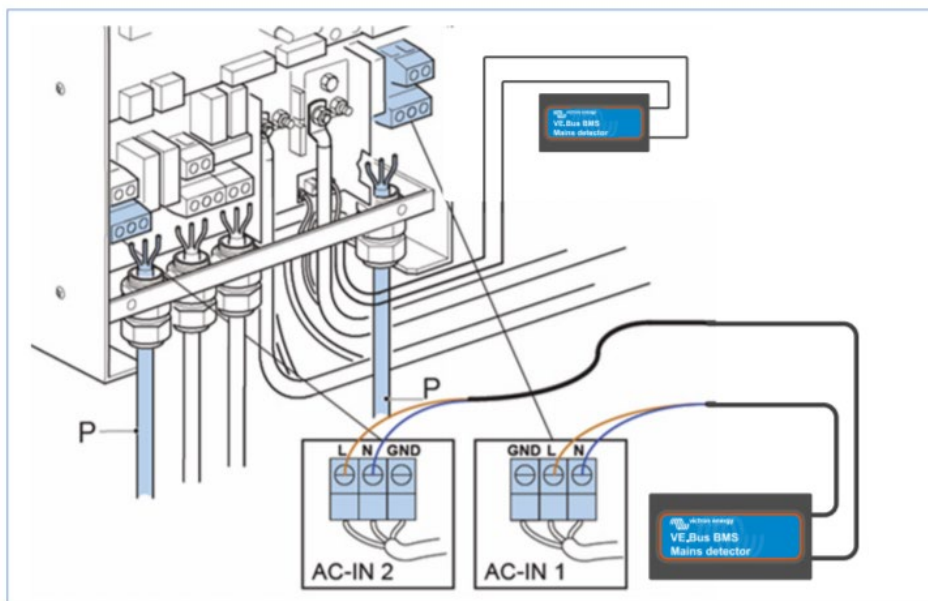


Bild 3: Anslutning av AC-detektorn

9. Använd den korta RJ45 UTP-kabeln för att koppla AC-detektorn till ett av de två VE.Bus-uttagen på MultiPlus eller Quattro (se bild 4).
10. Koppla VE.Bus BMS till AC-detektorn med en UTP-kabel (ingår ej).
11. En digital MultiControl-panel måste anslutas till VE.Bus BMS. **Anslut inte en digital MultiControl-panel direkt till en Multi eller Quattro** (signaler från kontrollpanelen kan komma i konflikt med signaler från VE.Bus BMS).
12. ColorControl-panelen måste anslutas direkt till Multi eller Quattro.

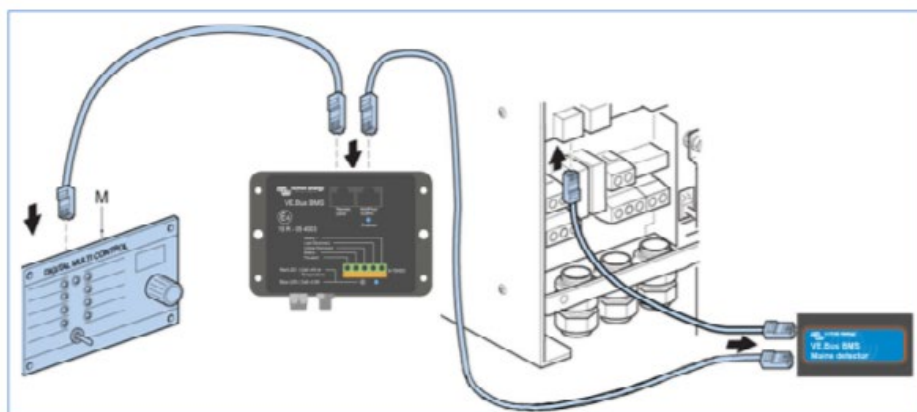


Bild 4: VE.Bus-anlutningar

#### 4.2 Koppla systemet: se systemexempel nedan

**Anslut inte till batteriplus i det här läget** (alternativt: sätt inte i batterisäkring/säkringarna).

Viktigt:

3. UTP-kabeln kopplad till växelriktaren/laddaren kopplar även batteriminus till BMS. I det här fallet, koppla inte anslutningsdonet för batteriminus till BMS, för att undvika jordslingor.
4. Koppla den positiva försörjningsingången på VE.Bus BMS till systemets positiva pol. En brytare för system-av/på i den positiva försörjningskabeln kommer att stänga ner systemet när det öppnas.

### 4.3 Batteri

Om flera batterier kopplas parallellt och/eller seriekonfigureras, ska de två seten med runda M8-anslutningsladdar på varje batteri kopplas i serie (daisy chained). Koppla de kvarvarande två sladdarna till BMS.

### 4.4. Uppstart

För endast DC-system: koppla till batteriplus. Systemet är nu klart att användas.

För system med Multi, Quattro eller växelriktare med VE.Bus:

4.4.1. Efter att installationen är klar, koppla bort BMS från VE.Bus och ersätt den med ett Victron gränssnitt MK2 och en dator.

4.4.2. Anslut batteriets plus.

4.4.2. Konfigurera växelriktare/laddare eller växelriktare för parallell- eller trefasdrift om tillämpligt.

Växelriktare/laddare: AC-detektorn ska endast installeras i master eller ledaren på ett parallell- eller trefassystem.

Växelriktare: AC-detektor krävs ej.

4.4.3. Ladda VE.Bus BMS-assistenten eller en ESS-assistent i alla enheter (måste göras separat för varje enhet).

4.4.4. Ta bort MK2 och återanslut BMS.

4.4.5. Systemet är nu klart att användas.

## 5. Systemexempel

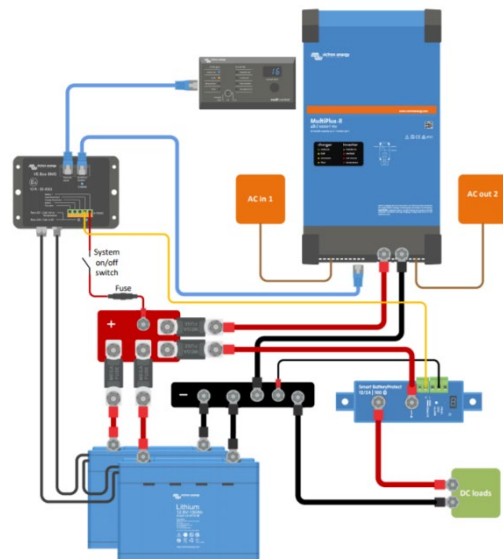


Bild 5: System med MultiPlus-II och DC-belastningar

Obs: BMS kopplas till batteriminus med UTP-kabeln mellan BMS och växelriktaren/laddaren.

Koppla därför inte in kontaktdonet för BMS minus, för att undvika jordslingor.

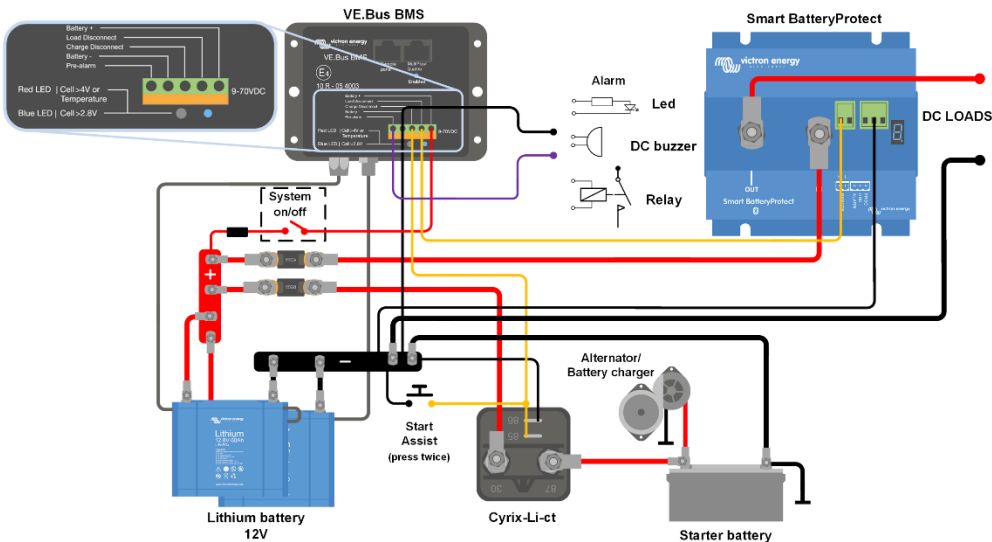


Bild 6: Endast DC-system för en båt eller ett fordon med parallellanslutning av start- och litiumjonbatteriet.

Obs: i det här fallet måste batteriminus på BMS kopplas.

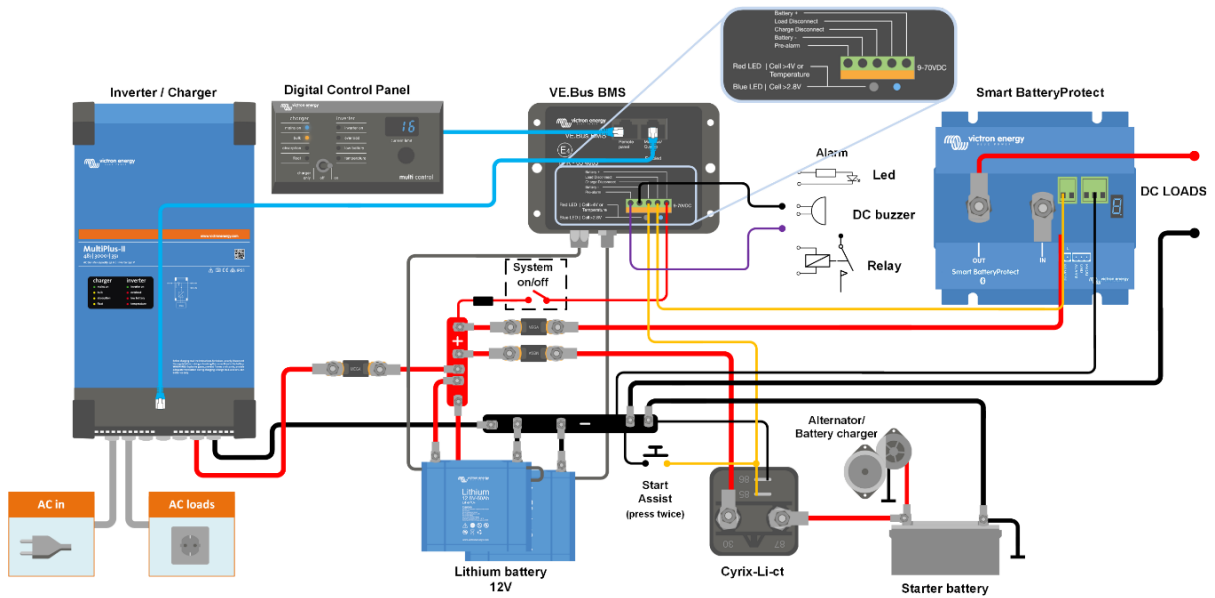


Bild 7: System för en båt eller ett fordon med en MultiPlus-II-växelriktare/laddare  
 Obs: BMS kopplas till batteriminus med UTP-kabeln mellan BMS och växelriktaren/laddaren.  
 Koppla därför inte in kontaktdonet för BMS minus, för att undvika jordslingor.

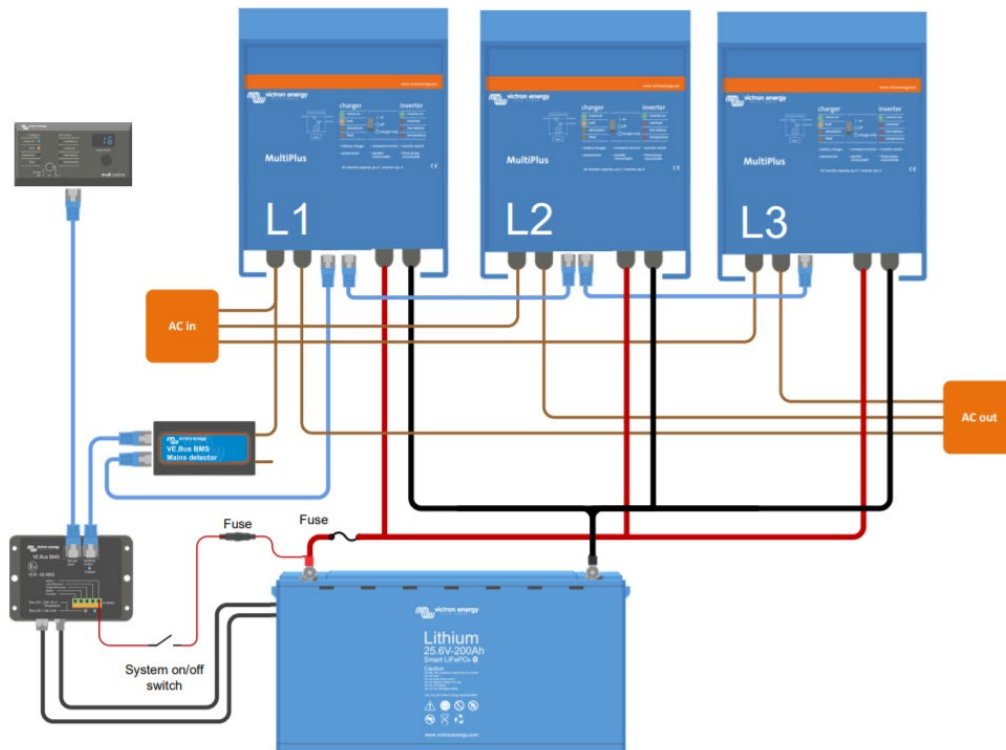


Bild 8: Systemexempel för en båt eller ett fordon med en växelriktar/laddarkonfigurering i trefas (DC-säkringar visas ej, förutom säkringen för litiumjonbatteriet).  
 Obs 1: AC-detektorn installeras endast i ledaren.  
 Obs 2: BMS kopplas till batteriminus med UTP-kabeln mellan BMS och växelriktaren/laddaren.  
 Koppla därför inte in kontaktdonet för BMS minus, för att undvika jordslingor.



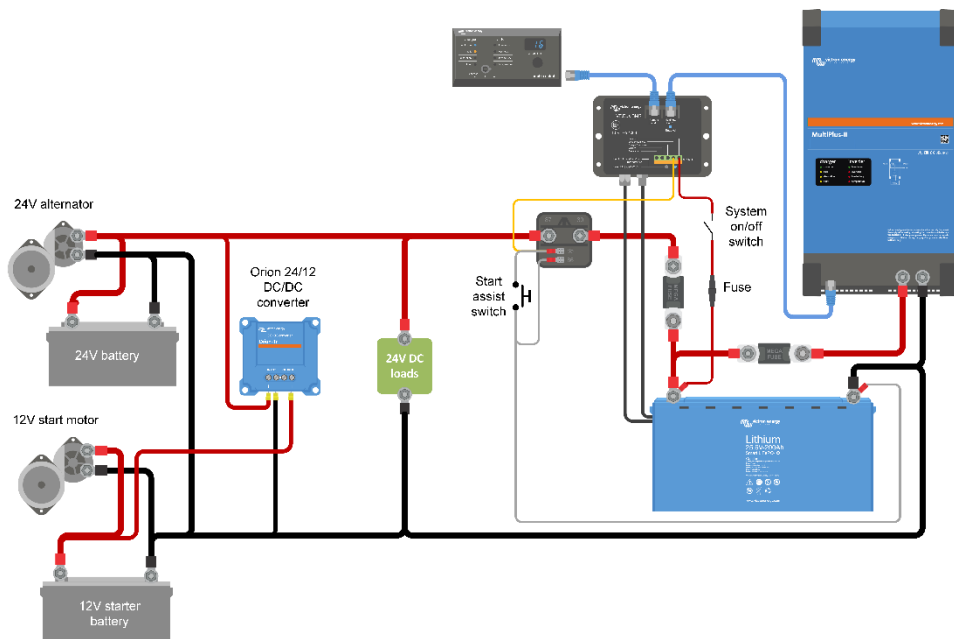


Bild 9: Systemexempel för en båt eller ett fordon med ett 24 V-litiumsystem, en 24 V-generator och ett 12 V-startbatteri. För att ladda startbatteriet: använd en DC-DC-omvandlare eller en liten batteriladdare som kopplas till Multi eller Quattro. Generatorer som kräver DC-spänning på B+-utgången för att börja ladda kan startas genom att trycka på Start Assist-knappen när motorn är igång.

Obs: BMS kopplas till batteriminus med UTP-kabeln mellan BMS och växelriktaren/laddaren. Koppla därför inte in kontaktdonet för BMS minus, för att undvika jordslingor.

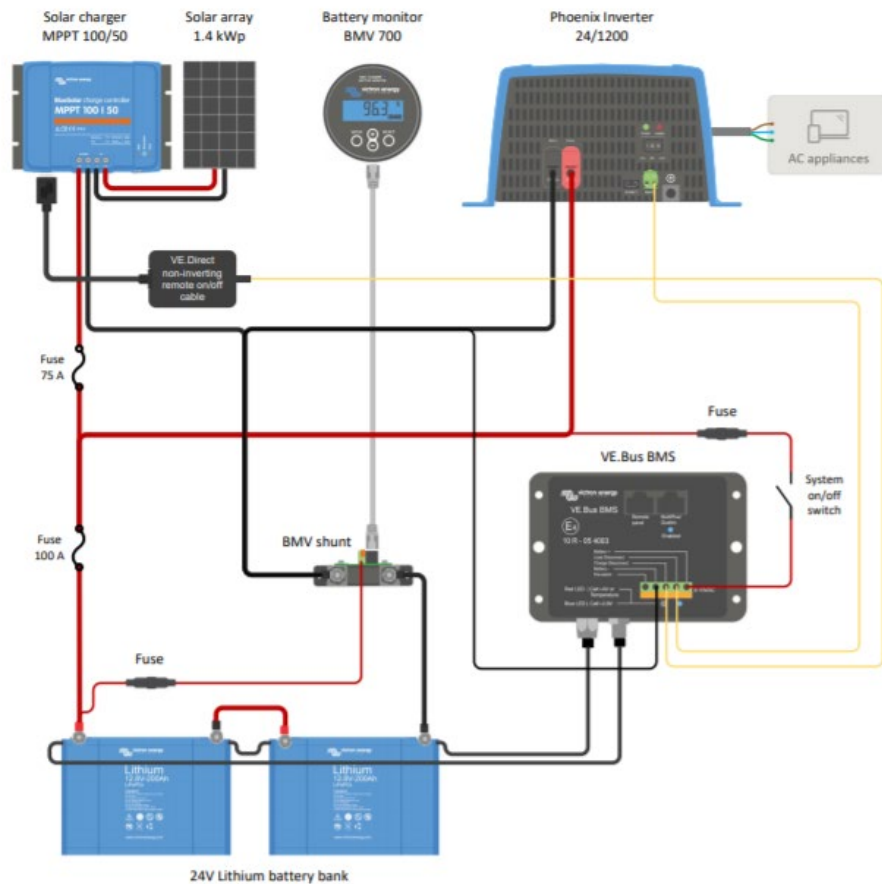


Bild 10: Solcellsanvändning med en MPPT med VE.Direct-port och en Phoenix växelriktare 24/1200 VE.Direct.

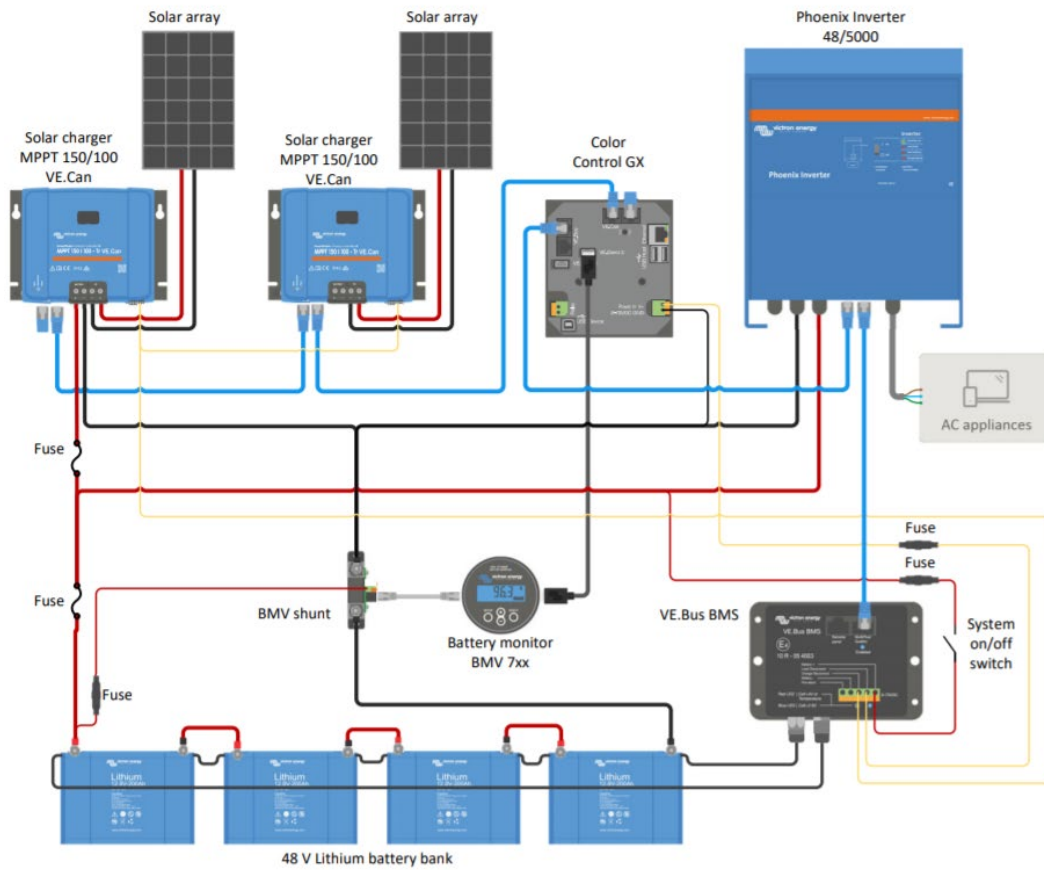
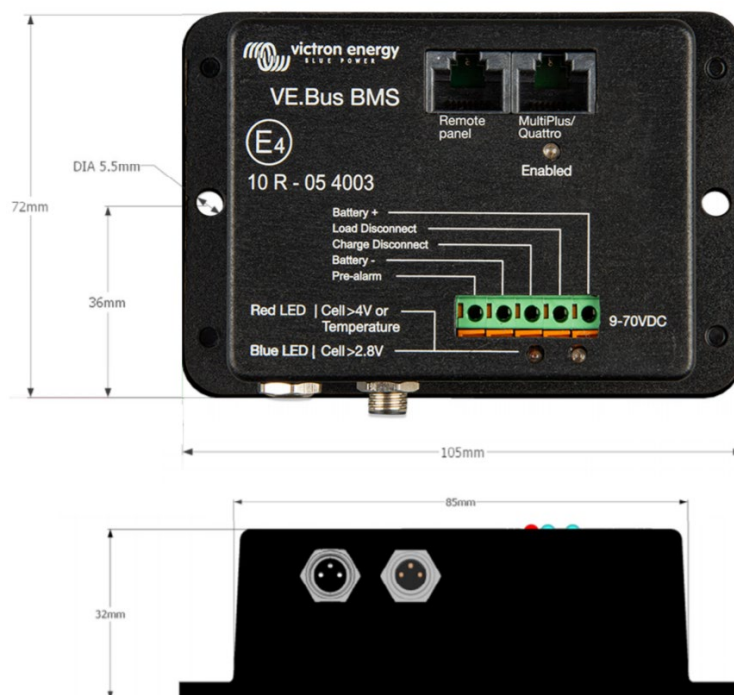


Bild 11: Solcells användning med två MPPT 150/100-Tr VE.Can  
 Obs: BMS kopplas till batteriminus med UTP-kabeln mellan BMS och växelriktaren/laddaren.  
 Koppla därför inte in kontakt donet för BMS minus, för att undvika jordslingor.

## 6. Dimensioner



## 7. Vanliga frågor

### Q1: Jag har kopplat bort VE.Bus BMS och nu startar inte min Multi eller Quattro, varför?

Alla Multi eller Quattro som är programmerade med en VE.Bus BMS-assistent, och som inte kan hitta VE.Bus BMS på bussen går in i akutläge. I det läget laddar den batterierna med max 5 ampere, upp till 12 V, 24 V eller 48 V beroende på systemspänningen. Observera att i det här läget är LED-lampan för huvudnät PÅ den enda LED-lampan som lyser. Om du kopplar bort AC-ingången för Multi/Quattro kommer den att stängas av. Den kommer inte att börja invertera eftersom den inte kan få någon bekräftelse på batteriets status från VE.Bus. BMS.

Observera att när batterierna är tomma eller fränkopplade måste Quattro få ström från AC-ingång-1. Strömförsörjning till AC-ingång-2 kommer inte leda till att Quattro slås på och börjar ladda.

### Q2: Batterierna är tomma och Multi/Quattro laddar inte, hur får jag systemet att börja fungera igen?

När litiumbatterier blir helt tomma (spänningen är runt 9 V eller ännu lägre) kan batterispänningen ha hamnat under VE.Bus BMS driftgräns. I så fall kan inte VE.Bus BMS starta Multi/Quattro, även om en AC-detektor är installerad. För att starta systemet igen, koppla bort VE.Bus BMS från Multi och gå tillbaka till Q1. Observera att det kan bli nödvändigt att koppla bort alla Blue Power-paneler, NMEA2000-gränssnitt eller andra liknande smarta produkter. Så länge de inte är påslagna själva kan de hindra Multi/Quattro från att starta upp.

Ett enklare alternativ för att återuppliva ett tomt system kan vara att ansluta en liten batteriladdare, t.ex. 5 ampere, och vänta på att batteriet laddar upp till 12 V.

### Q3: Vad händer med Multi/Quattro när BMS avger en signal om låg cellspänning?

Multi/Quattro är i läget endast laddare: när AC-ingången finns tillgänglig kommer den att ladda batteriet. Och när AC-ingången inte är tillgänglig kommer den att stänga av.

### Q4: Vad händer med Multi/Quattro när BMS avger en signal om hög cellspänning?

Signalen för hög cellspänning kommer endast att avges om det finns obalanserade celler. Multi/Quattro ändrar till bulk och börjar ladda med reducerad laddningsström. Detta gör det möjligt för balanseringssystemet att återbalansera cellerna.

## 8. Specifikationer

VE.Bus BMS	
Spänningsintervall, ingång	9 – 70 VDC
Strömförbrukning, normal drift	10 mA (undantaget belastningsfrånkopplingsström)
Strömförbrukning, låg cellspänning	2 mA
Utgång för belastningsfrånkoppling	Normalt hög (utgångsspänning ≈ försörjningsspänning - 1 V) Flyter när belastningen måste kopplas från Källströmsbegränsning: 2 A Sänkström: 0 A
Utgång för laddningsfrånkoppling	Normalt hög (utgångsspänning ≈ försörjningsspänning - 1 V) Flyter när belastningen borde kopplas från Källströmsbegränsning: 10 mA Sänkström: 0 A
ALLMÄNT	
VE.Bus kommunikationsport	Två RJ45-uttag för att ansluta till alla Ve.Bus-produkter.
Driftstemperatur	-20 till +50 °C 0 - 120 °F
Luftfuktighet	Max 95 % (icke-kondenserande)
Skyddsklass:	IP20
HÖLJE	
Material och färg	ABS, mattsvart
Vikt kg	0,1
Dimensioner h x b x d i mm	105 x 78 x 32
STANDARDS	
Standarder: Säkerhet Emission Immunitet Motorfordonsdirektiv	EN 60950 EN 61000-6-3, EN 55014-1 EN 61000-6-2, EN 61000-6-1, EN 55014-2 EN 50498

Cyrix Li-ion ct (se informationsblad för Cyrix-Li-ion för mer information)	12/24-120	24/48-120
Kontinuerlig ström	120A	
Anslutningsspänning	Från 13,7 V till 13,9 V och 27,4 V till 27,8 V med intelligent trenddetektering	
Frånkopplingspänning	Från 13,2V till 13,4V och 26,4V till 26,8V med intelligent trenddetektering	
Start Assist	Ja (Cyrixen förblir inkopplad under 15 sekunder efter att kontrollgången har dragits två gånger till batteriminus).	
Cyrix -Li-belastning	12/24-120	24/48-120
Använd ett BatteryProtect istället: mycket längre energiförbrukning		
Cyrix Li-ion laddning	12/24-120	24/48-120
Kontinuerlig ström	120 A	120 A
Anslutningspänning	Aktiveras när spänningen på laddarsidan överstiger 13,7 V till 13,9 V och 27,4 V till 27,8 V med intelligent trenddetektering.	Aktiveras när spänningen på laddarsidan överstiger 27,4 V till 27,8 V och 54,8 V till 55,6 V med intelligent trenddetektering.
Frånkopplingspänning	Från 13,2 V till 13,4 V och 26,4 V till 26,8 V med intelligent trenddetektering	Från 26,4 V till 26,8 V och 52,8 V till 53,6 V med intelligent trenddetektering
Detektering laddning ej aktiv	Cyrix stängs av varje timme och förblir öppen i händelse av låg spänning på laddningssidan.	
Allmänt	12/24-120	24/48-120
Överspänning frånkoppling	16 V/ 32 V	32 V/ 64 V
Frånkoppling övertemperatur	Ja	
Strömförbrukning då den är öppen	<4mA	
Strömförbrukning då den är stängd	<220 mA/ < 110 mA	< 110 mA/ <60 mA
Driftstemperaturintervall	-20 till +50 °C	
Skyddsklass	IP54	
Vikt kg	0,11	
Dimensioner h x br x dj i mm	46 x 46 x 80 (1,8 x 1,8 x 3,2)	

## SV

### Bilaga:

**Belastningar som kan styras direkt genom fränkopplingsutgången på BMS**

#### Växelriktare:

Alla Phoenix växelriktare VE.Direct 250/375/500/800/1200  
Phoenix 12/800      Phoenix 24/800  
Phoenix 12/1200    Phoenix 24/1200  
Phoenix 48/800     Phoenix 48/1200

#### DC-DC-omvandlare:

Alla Tr typer av DC-DC-omvandlare  
Orion 12/24-20  
Orion 24/12-25  
Orion 24/12-40  
Orion 24/12-70

**Laddningar för vilka en inverterande på/av fjärrkabel krävs**

(detaljnummer ASS030550100)

#### Växelriktare:

Phoenix 12/180  
Phoenix 24/180  
Phoenix 12/350  
Phoenix 24/350

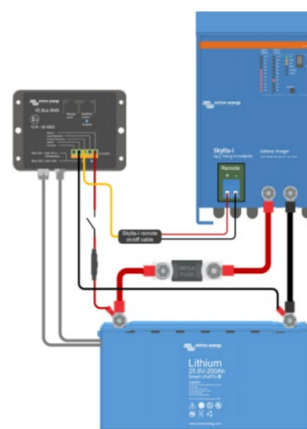
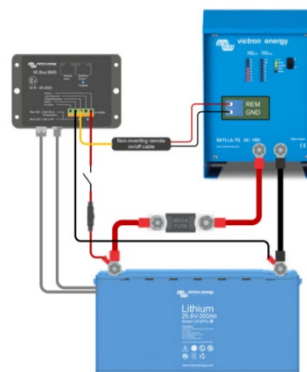
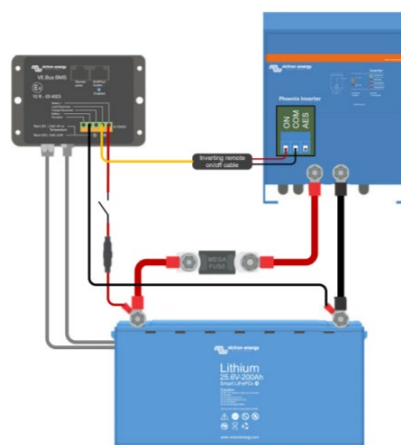
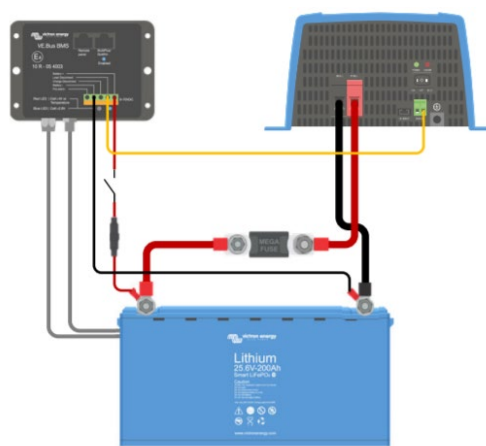
Alla Phoenix växelriktare med en kapacitet på 3 kVA och mer

**För Skylla TG batteriladdare är En icke-inverterande på/av fjärrkabel nödvändig**

(detaljnummer ASS030550200)

**Till Skylla-i batteriladdare krävs en Skylla-i av/på fjärrkabel nödvändig**

(detaljnummer ASS030550400)



EN

FR

DE

SE



# Victron Energy Blue Power

Distributor:

Serial number:

Version  
Date

: 19  
: November 2<sup>nd</sup>, 2020

Victron Energy B.V.  
De Paal 35 | 1351 JG Almere  
PO Box 50016 | 1305 AA Almere | The Netherlands

General phone : +31 (0)36 535 97 00  
E-mail : [sales@victronenergy.com](mailto:sales@victronenergy.com)

[www.victronenergy.com](http://www.victronenergy.com)

